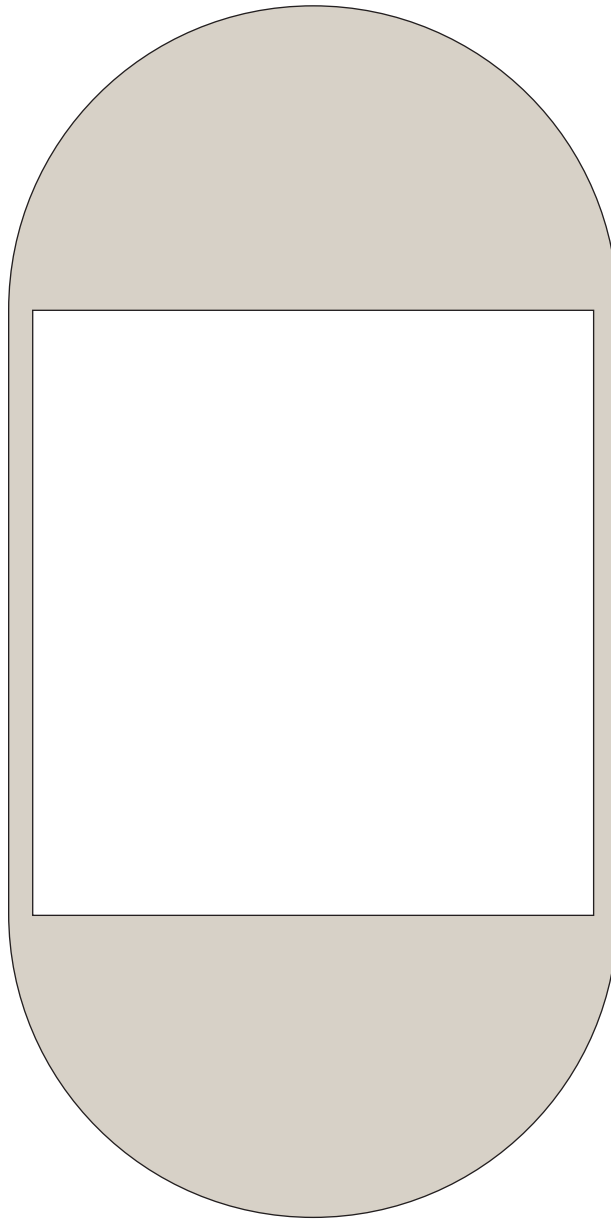


# JUNE Mirror

*Installation Instructions*

coilanddrift.com  
studio@coilanddrift.com  
@coilanddrift

COIL +  
DRIFT



# JUNE Mirror

## Installation Instructions

coilanddrift.com  
studio@coilanddrift.com  
@coilanddrift

COIL +  
DRIFT

### BEFORE YOU BEGIN:

+ Determine if you will be installing into a stud or not. If you are not, be sure to pre-drill and add a plastic anchor before you screw in the clasp.

### CAUTION:

+ Handle with care, mirror is fragile and can shatter if dropped.

### TOOLS REQUIRED:

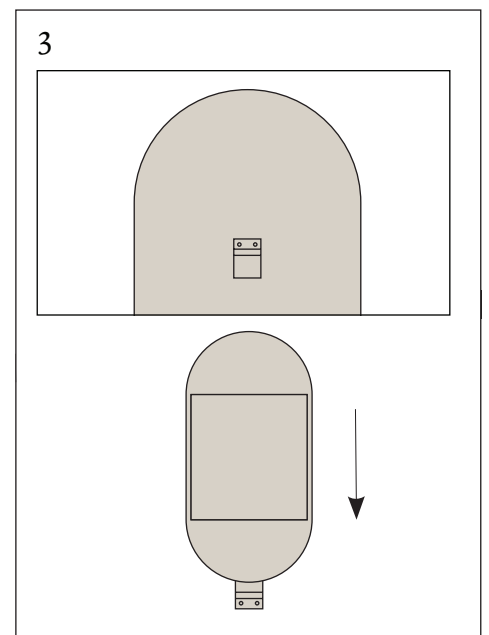
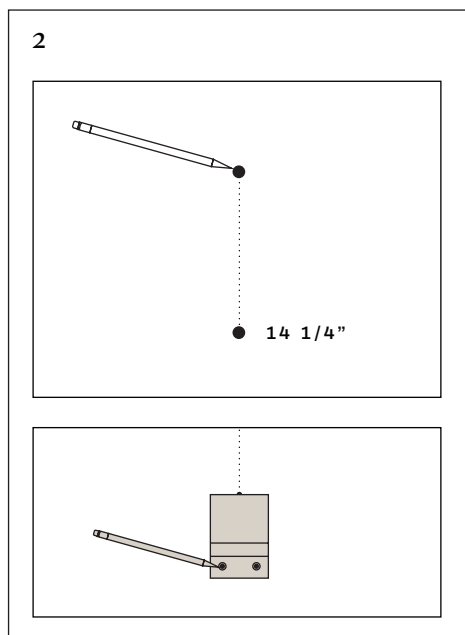
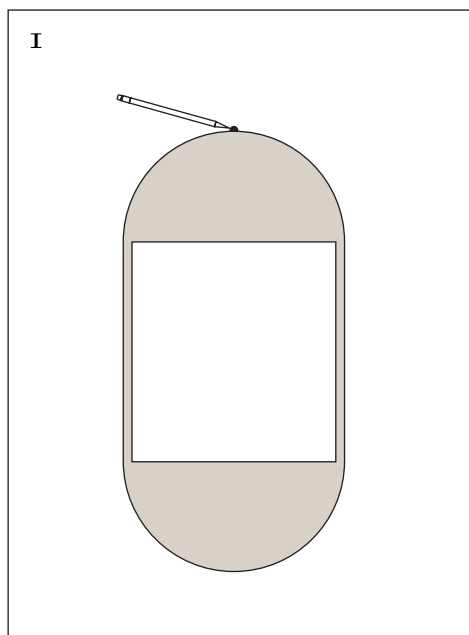
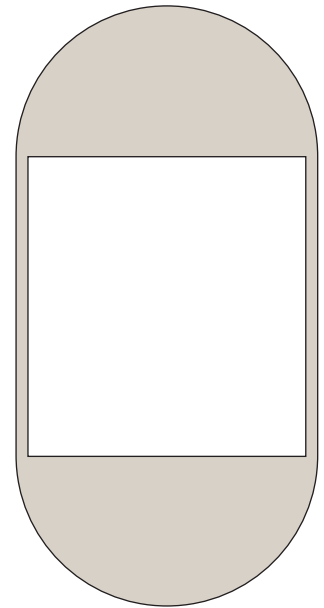
+ Power drill + Drill bits + Screwdriver bits + Pencil + Level

Having an issue? Call us at 917.664.4483

### INSTALLING YOUR JUNE MIRROR VERTICALLY:

1. For vertical installation, position the June Mirror in the desired location and mark the center of the top arch on the wall with a pencil.
2. From that mark, draw a straight line down 14 1/4". Center the top of the clasp at the end of the line. Use a level to ensure the clasp is straight and mark inside the holes.
3. Screw the clasp onto the wall, then using the corresponding clasp on the back of the mirror, slide the mirror clasp onto the wall clasp so that the mirror hangs securely.

Enjoy your new June Mirror!



# JUNE Mirror

## Installation Instructions

coilandrft.com  
studio@coilandrft.com  
@coilandrft

COIL +  
DRIFT

### INSTALLING YOUR JUNE MIRROR HORIZONTALLY:

1. For horizontal installation, position the June Mirror in the desired location and mark the center of the piece on the wall with a pencil.
2. From that mark, draw a straight line down  $2\frac{7}{8}$ ". Center the top of the clasp at the end of the line. Use a level to ensure the clasp is straight and mark inside the holes.
3. Screw the clasp onto the wall, then using the corresponding clasp on the back of the mirror, slide the mirror into the wall clasp so that the mirror hangs securely.

Enjoy your new June Mirror!

