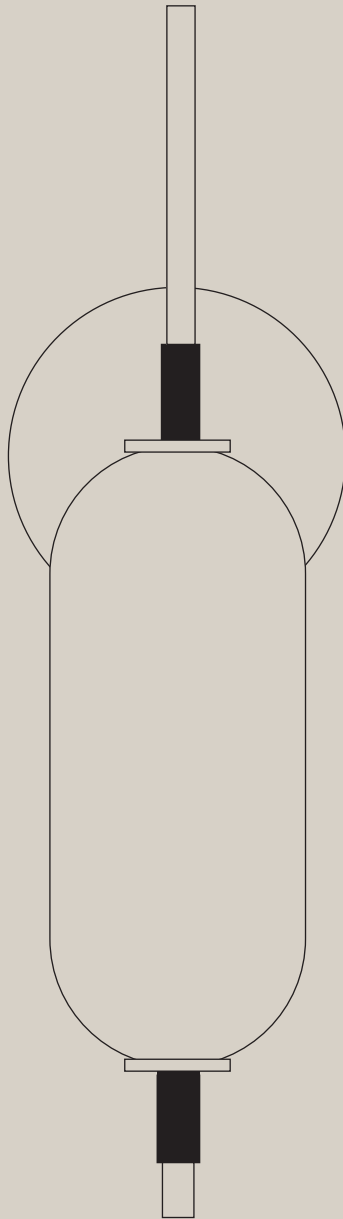


PIERCE Pendant

coilanddrift.com
studio@coilanddrift.com
@coilanddrift

COIL +
DRIFT

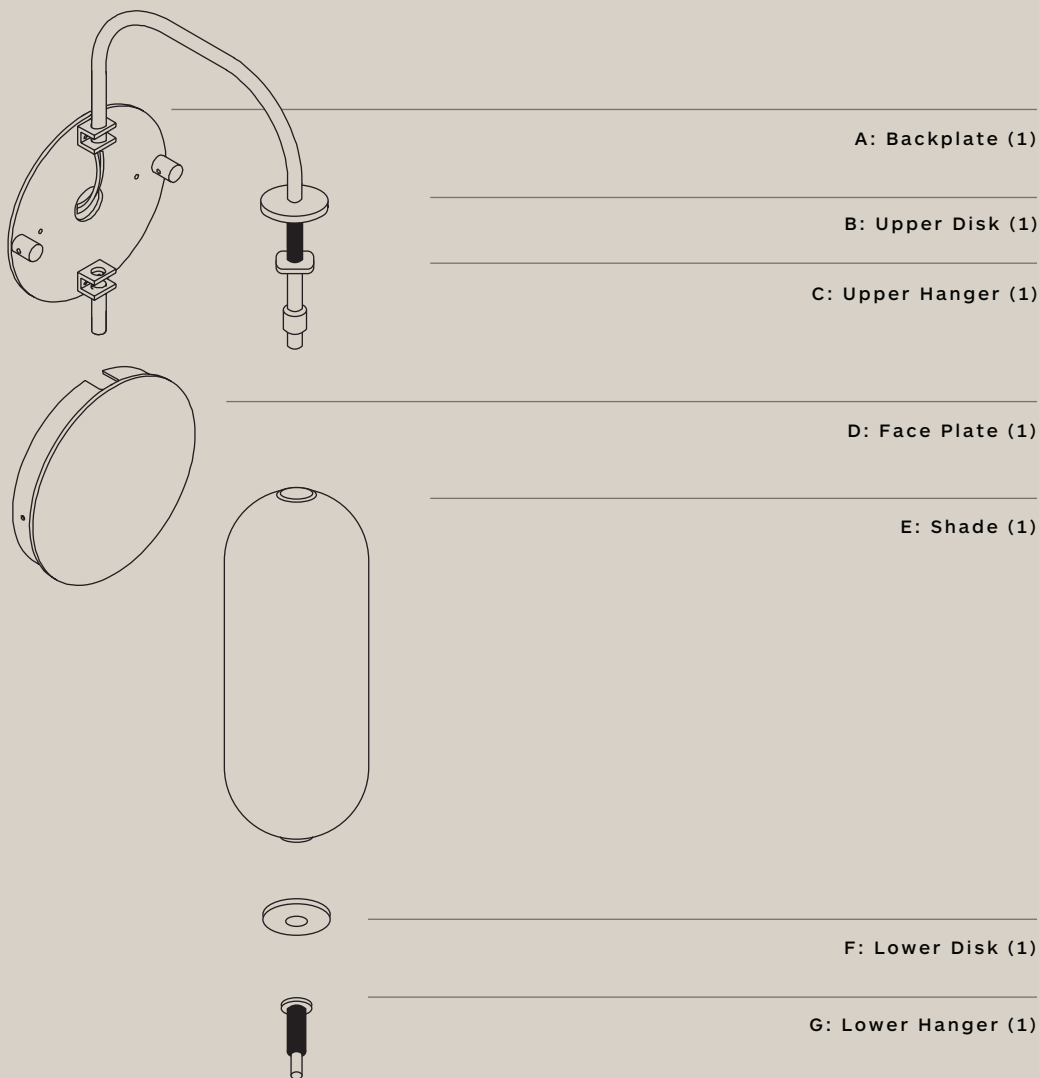


PIERCE Pendant

coilandrft.com
studio@coilandrft.com
@coilandrft

COIL +
DRIFT

COMPONENTS:



TOOLS REQUIRED:

- + Power drill
- + Drill bits
- + Screwdriver bits
- + Allen key set
- + Painters tape

PIERCE Pendant

coilanddrift.com
studio@coilanddrift.com
@coilanddrift

COIL +
DRIFT

BEFORE YOU BEGIN:

- + Always wear white cloth or latex gloves when handling the metal and glass.
- + Please use a junction box with horizontally placed screw holes that are spaced 2.75" apart.
- + Two people recommended for installation.

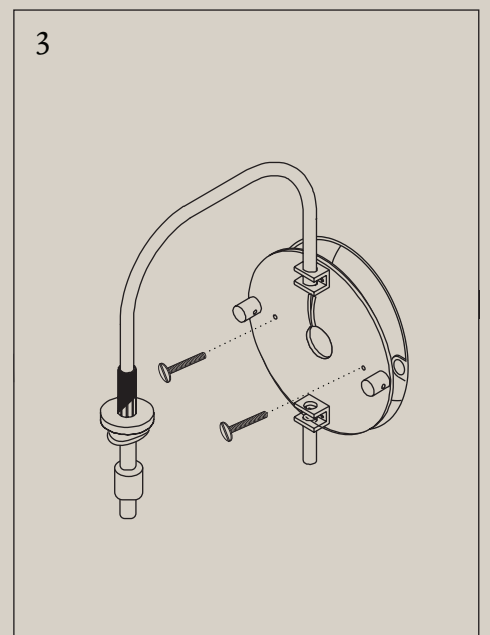
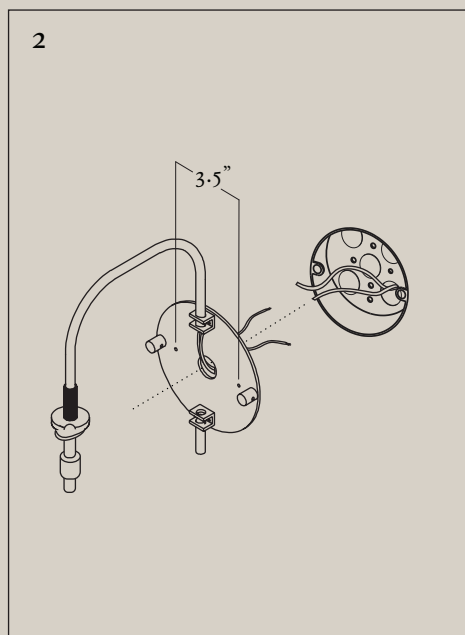
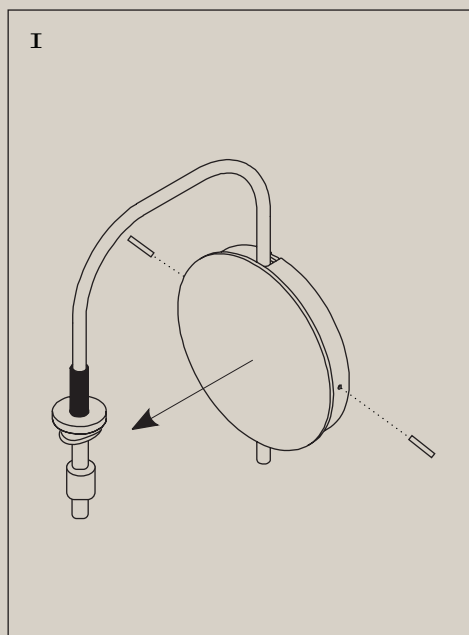
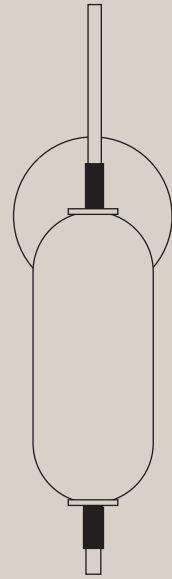
CAUTION: ELECTRIC SHOCK RISK:

- + Coil + Drift recommends this piece be installed by a qualified electrician only.
- + Disconnect power at junction box and turn off electrical power at breaker before beginning.

Having an issue? Call us at 917.664.4483

INSTALLING YOUR PIERCE SCONCE:

1. Remove set screws and slide the Face Plate (D) off of the Backplate (A).
2. Wire individual leads to line power inside the junction box.
3. Screw the backplate into the junction box.



PIERCE Pendant

coilanddrift.com
studio@coilanddrift.com
@coilanddrift

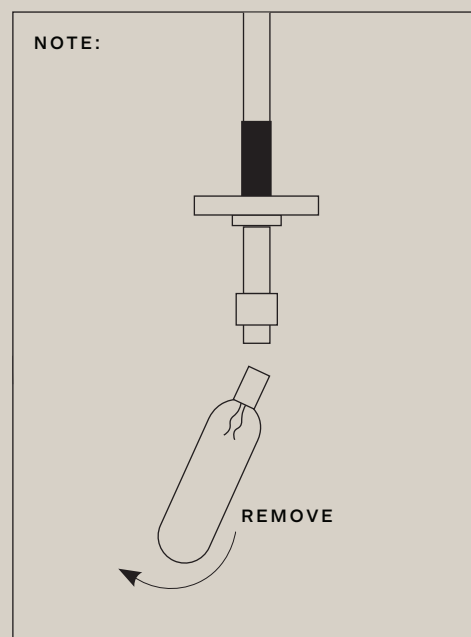
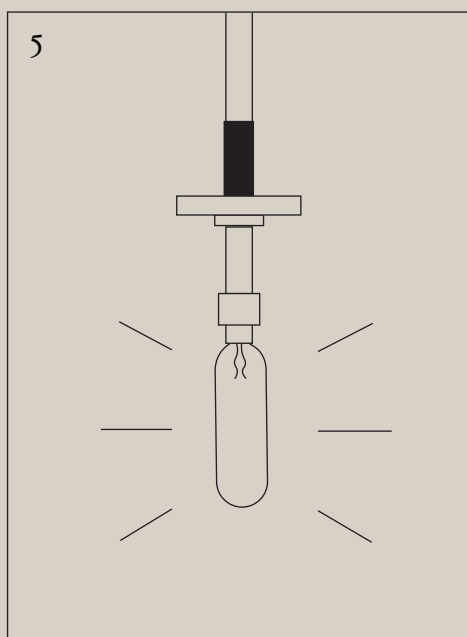
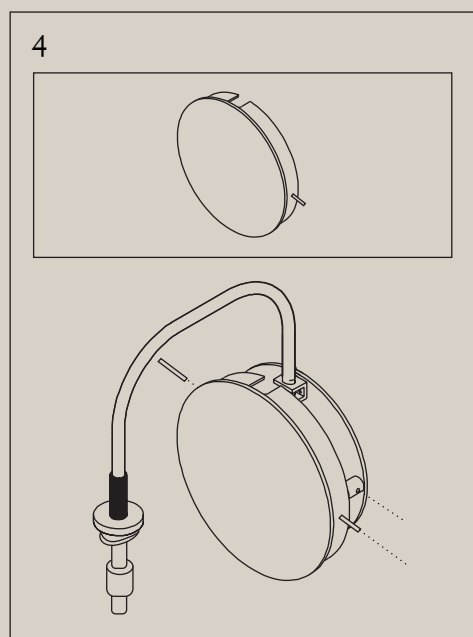
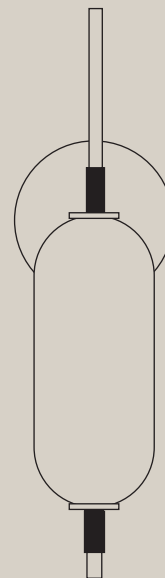
COIL +
DRIFT

INSTALLING YOUR PIERCE PENDANT:

4- Slide Face Plate (D) over Backplate (A) and screw in both Face Plate (D) screws in until tight.

5- Screw in the lightbulb to make sure the light is functioning, then remove.

Note: For your safety and ease, it is important that the glass shade is attached and raised into the position shown in step 8 before installing the lightbulb. Please do not install the lightbulb before this step.



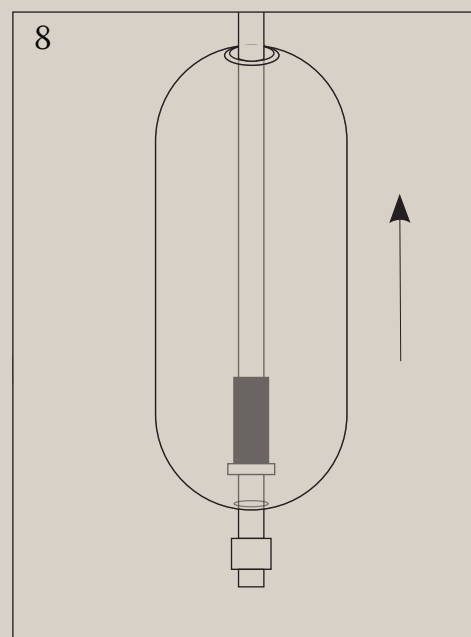
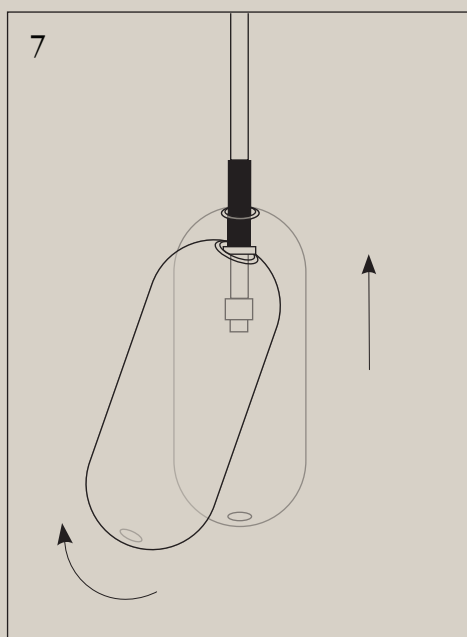
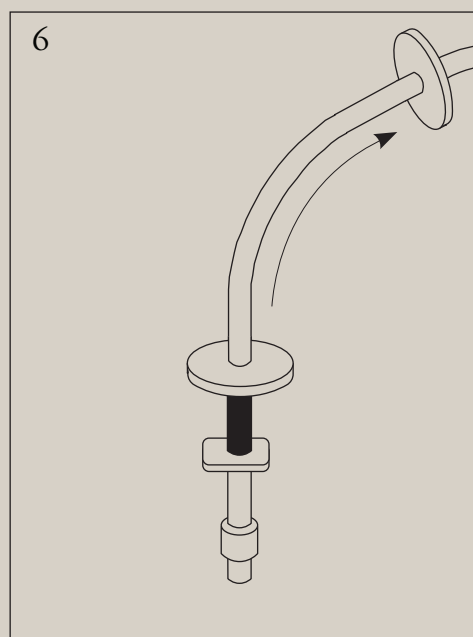
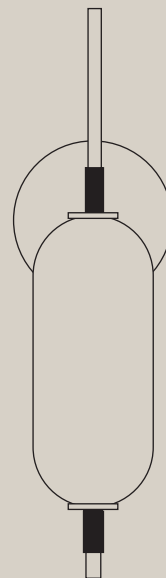
PIERCE Pendant

coilanddrift.com
studio@coilanddrift.com
@coilanddrift

COIL +
DRIFT

INSTALLING YOUR PIERCE PENDANT:

6.
To install the shade, first make sure the bulb is removed. Then slide the Upper Disk (B) up the stem beyond the bend.
7.
Insert the marked opening of the glass Shade (E) over the end of the stem. Tilt and lift the shade to raise it over the longer side of the Upper Hanger (C) and the pass over the shorter side.
8.
Lift the shade further up the stem to reveal the lightbulb socket.



PIERCE Pendant

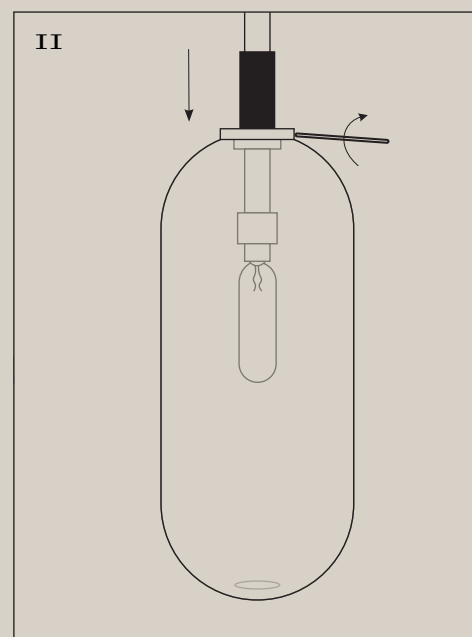
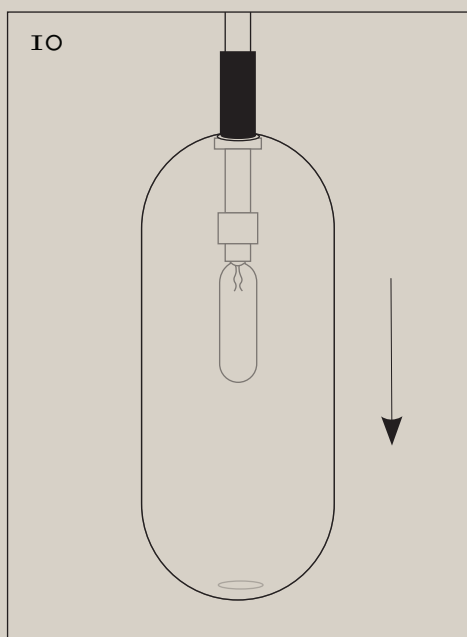
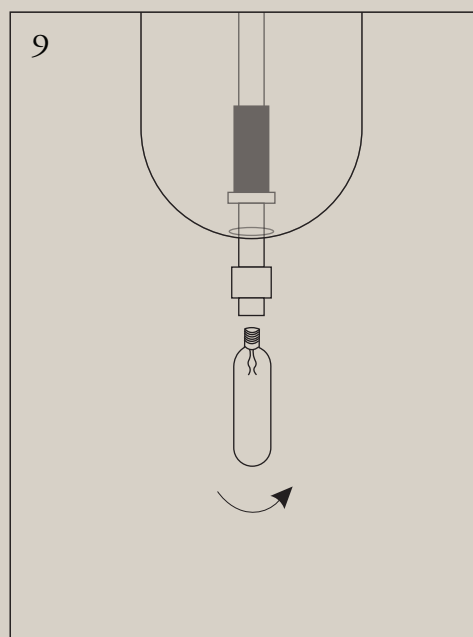
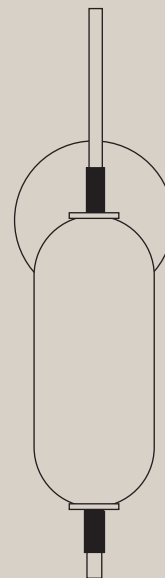
coilanddrift.com
studio@coilanddrift.com
@coilanddrift

COIL +
DRIFT

INSTALLING YOUR PIERCE PENDANT:

9.
While holding the shade steady in a raised position on the stem, screw in the lightbulb.
10.
Gently slide the shade back down so that it rests evenly on the Upper Hanger.
11.
Slide the the Upper Disk (B) back down on top of the shade, and with the set screw facing away from general view, screw in place gently.

Caution: Glass is fragile. When screwing on Disks do not use excessive force.



PIERCE Pendant

coilandrft.com
studio@coilandrft.com
@coilandrft

COIL +
DRIFT

INSTALLING YOUR PIERCE PENDANT:

I2.
Insert a long end of the Lower Hanger (G) into the bottom opening of the shade, tilting the Hanger to allow it to pass through the opening.

I3.
Adjust the Hanger be centered and vertical while resting on the edges of the shade opening. Then slide on the Lower Disk (F) and position beneath the shade to secure the Hanger. With the set screw facing away from general view, screw in place gently.

I4.
Step back and check to make sure that the stem, shade, and attached lower Hanger are alligned and vertical. Adjust as needed with gloved hands. If a Disk has been firmly tightened and there is a tilt, it can be loosened slightly with the set screw so that it may hang with gravity.

Enjoy your new Pierce Sconce!

