

# CIRRUS Sconce

coilanddrift.com  
studio@coilanddrift.com  
@coilanddrift

COIL +  
DRIFT

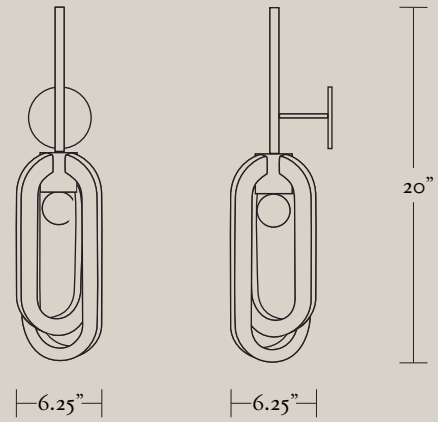
The Cirrus Sconce's two cast-resin rings are placed perpendicularly around a brushed-brass light source, each at varied lengths with one looping under the other to create a composed, jewel-like fixture. The transparent resin rings are hand-cast and contain variously-sized bubbles.

## DIMENSIONS

6 1/4" L x 6 1/4" W x 20" H

## LEAD TIME

Please allow 10-12 weeks



*Brushed Brass*



*Blackened Steel*

## FINISH OPTIONS



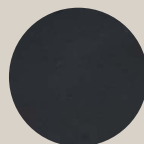
Polished Brass



Brushed Brass



Aged Brass



Blackened Steel



Polished Chrome



Tarnished Nickel