

RIDGE Pendant

coilanddrift.com
studio@coilanddrift.com
@coilanddrift

COIL +
DRIFT

The Ridge Pendant is comprised of a large hand cut sheet of brass that is bent, soldered, and balanced perfectly on two stems to emulate the form of an owl's grand wingspan as it pushes the air downward and flies upward. Two concealed light sources under the large brass wings that illuminate the underside of the form. The Ridge Pendant is finished in a magnificent living verdigris patina. The top of the wings and the stems take on more light green and pink tones while the underside of the wing has more deep yellows and browns.

DIMENSIONS

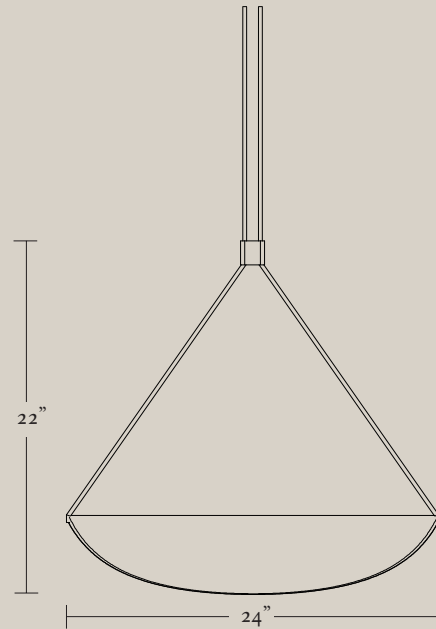
24" L x 21" W x 22" H

LEAD TIME

Please allow 10-12 weeks

BULB

Emery Allen LED E12 4.5W
2700K dimmable, *included*



Verdigris Brass

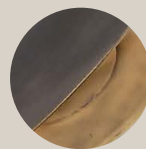


FINISH OPTIONS

Custom Finishes Available



Verdigris
Brass



Blackened Brass +
Gently Aged Brass