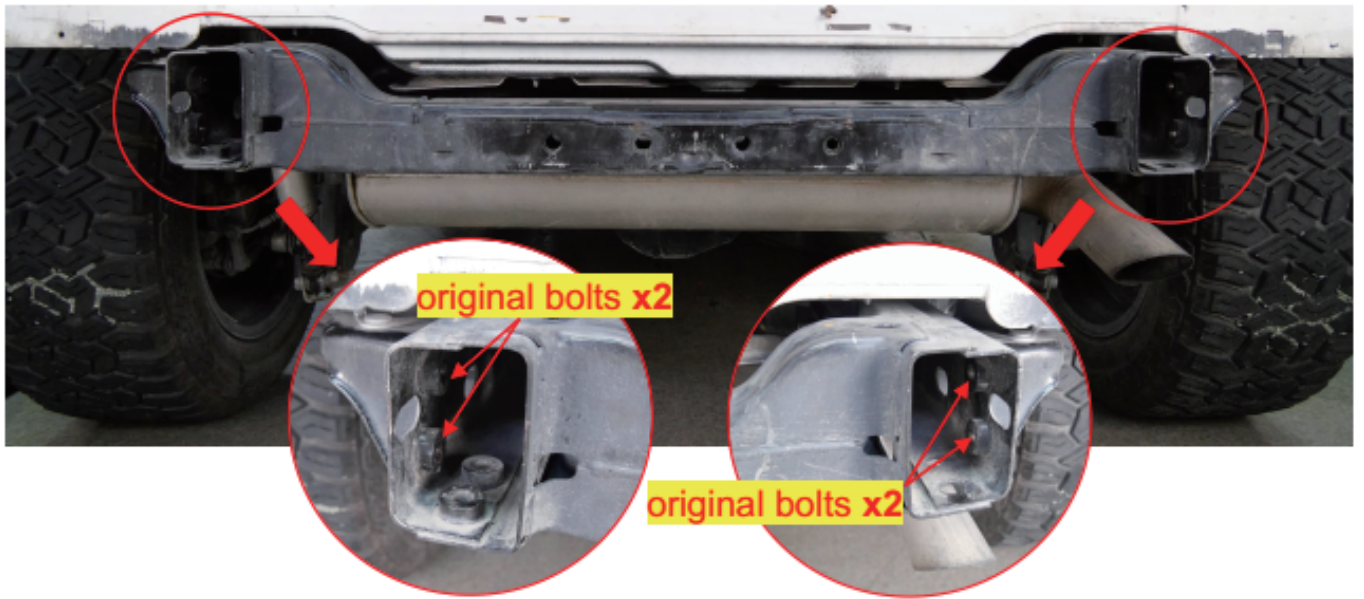
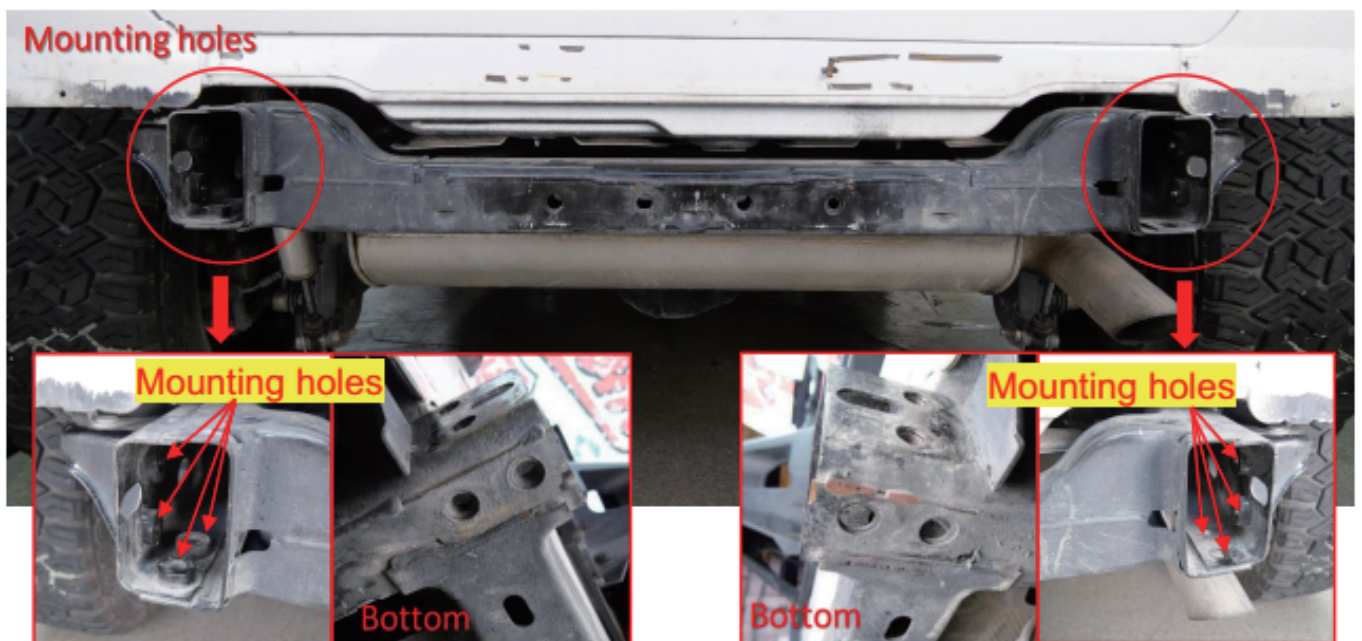
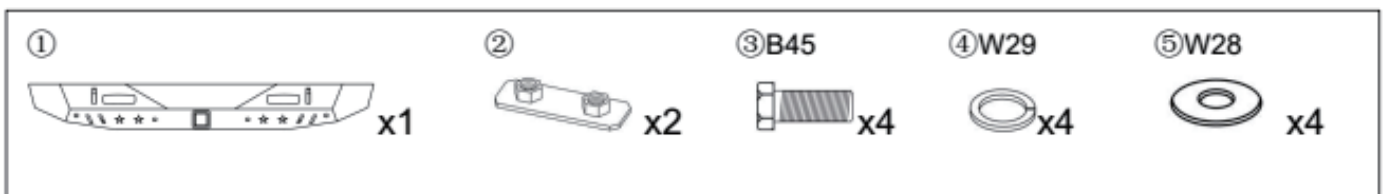


**Step 2:** Clean the rear of the car to ensure it is free of dust, dirt, and debris.

**Step 3:** Uninstall the vehicle's original bolts (6 pcs) before installation and keep it.



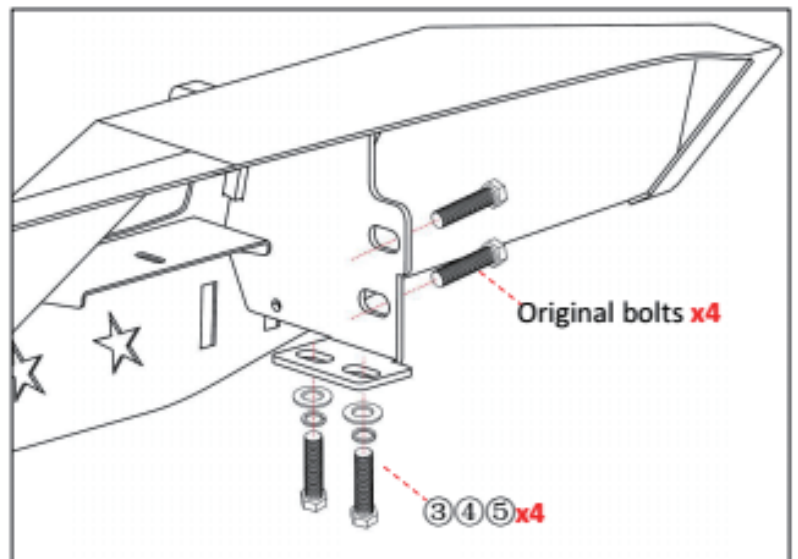
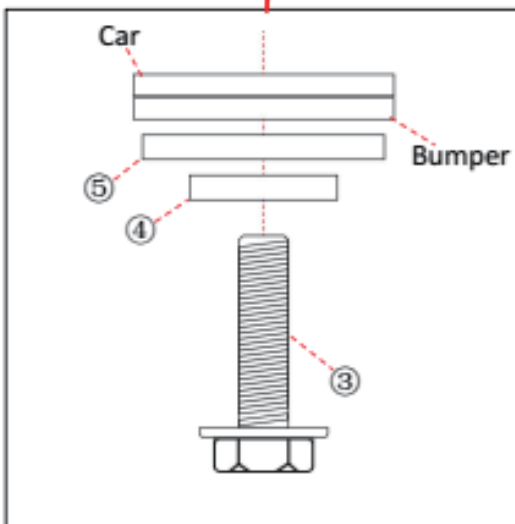
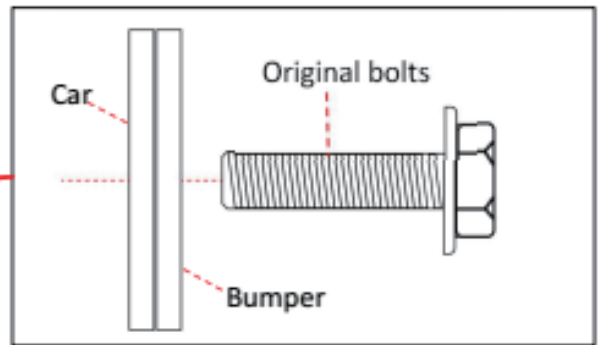
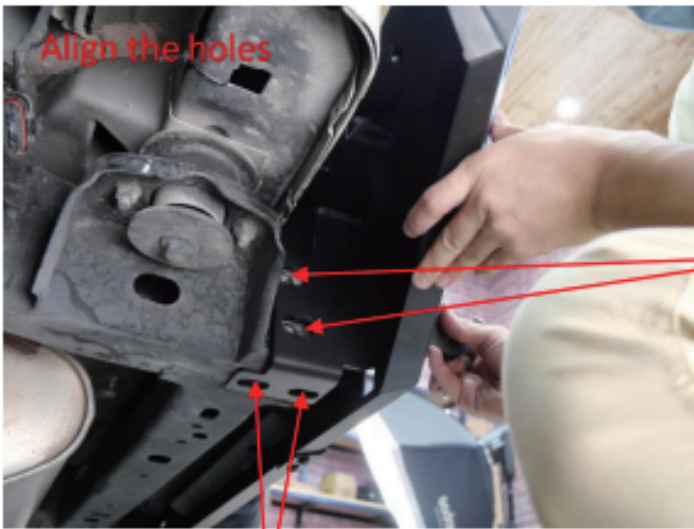
**Step 4:** Install the Rear Bumper.



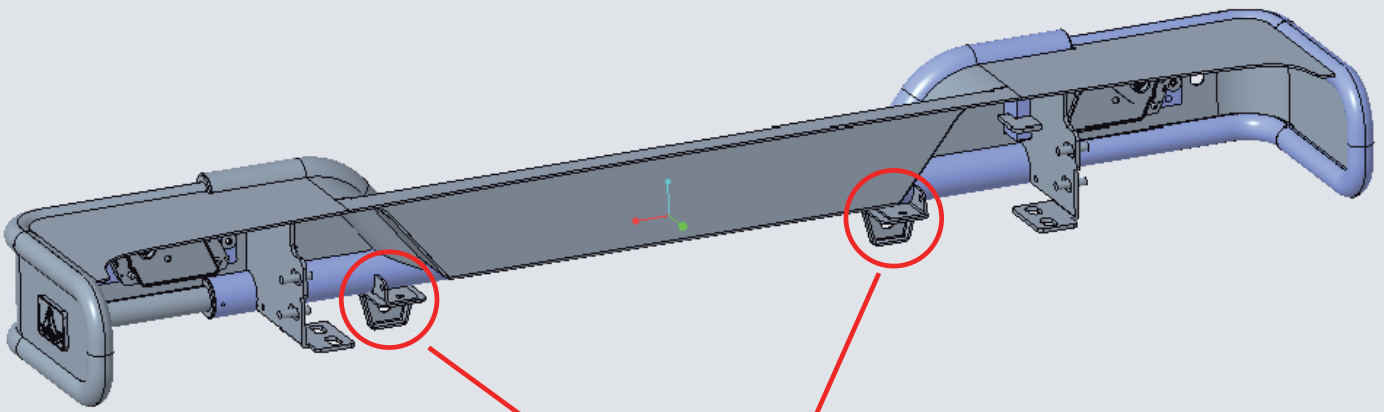
Put the ② Nut Plate in the mounting holes



Align the holes



M12



**Radar mounts,  
use M8 Screws**