

FRONT BUMPER

————— User Manual —————

2021-2023 Ford Bronco(not Bronco Sport)

NFB01A103-1A



NFB01A103-1B



Model:	NFB01A103-1A /NFB01A103-1B
Material:	Q235A
Product Dimensions:	45.6 x 12x 8.1 inch
Package Dimensions:	49.6 x 15.3 x 11 inch
Product Weight:	71.2 lbs

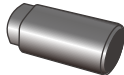

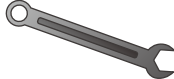


※ Thank you for purchasing the FRONT BUMPER. Please read this manual carefully and keep it properly if you need to refer to it afterward. If you need any support or assistance, please contact us with your product model number and order number, and our support team will help you solve problems.

⚠ WARNING

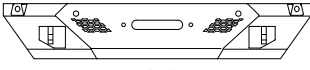
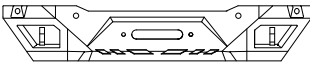

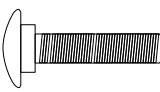
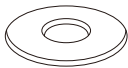
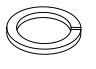
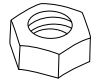
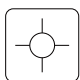
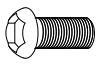
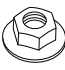

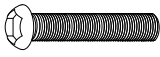


※ This product is designed primarily to enhance the appearance of the vehicle. Do not rely in any way on the components of this product to protect against injury or death in the event of an accident. To reduce the risk of serious injury or property damage, please read all safety messages and understand all instructions and procedure notices before attempting to install or use this product.

⚠ CAUTION

※ Properly torque and recheck fasteners and security of step tread after 250 miles and inspect frequently. Do not use if damaged.

REQUIRED TOOLS				
Socket 	Ratchet 	Wrench 	Allen Wrench 	Safety Glasses 

Parts Information

	NO.	Parts Name	Size	Line Graph	Qty	Color
①	1A	Bumper	/		1	Black
	1B					
②	/	Bull Bar Barrect L & R	/		1	Black
③	B43	Square Neck Bolt	M10x35		11	Blue Zinc Plating
④	W33	Flat Washer	Φ10x25x2		11	Blue Zinc Plating
⑤	W32	Spring Washer	Φ10		11	Blue Zinc Plating
⑥	N26	Hex Nuts	M10		11	Blue Zinc Plating
⑦	W21	Plastic Plate	Φ8.5x40		11	PVC
⑧	B12	Half Head Allen Bolts	M8x16		11	Dacro Black
⑨	N14	Hex Flange Nuts	M8		11	Dacro Black
⑩	W19	Flat Washer	Φ8x24x2		11	Dacro Black
⑪	B46	Half Head Allen Bolts	M6x40		5	Dacro Black
⑫	N11	Lock Nuts	M6		5	Dacro Black
⑬	M01	Ribbon	5x250		10	Black

※ Note: spare parts such as B43、W33、W32、N26、W21、B12、N14、W19、B46、M01 and N11 are provided with 1PCS each (included in the number of parts details).

Installation Instructions

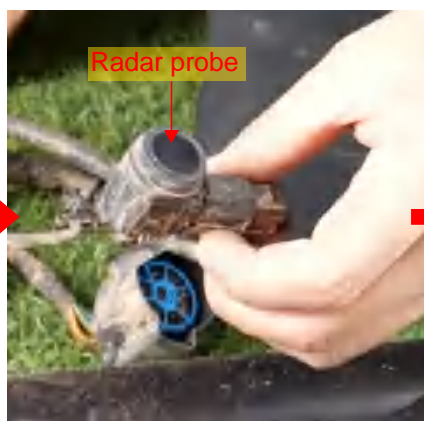
※ **Note:** This installation manual takes one of the models as an example.

Step 1: Open the carton and take out the parts. Check whether the number of components is complete.

Step 2: Remove the original bumper and prepare the parts needed to install the bumper.

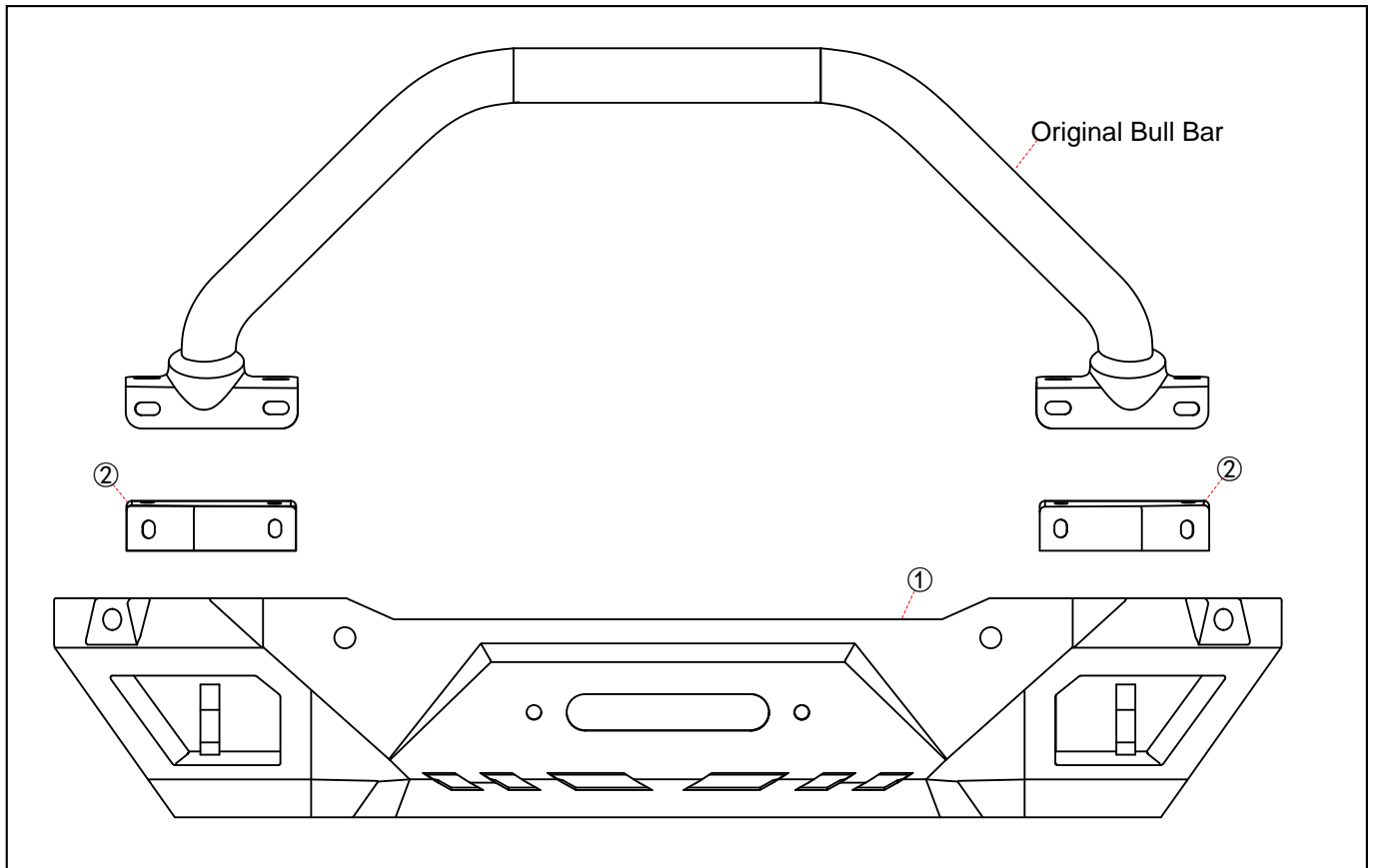
Step 3: Install the Radar Probe.

Note: If the car does not have a radar probe, this step can be ignored.



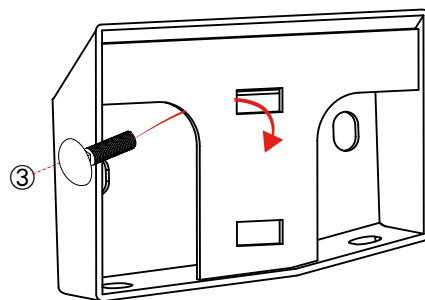
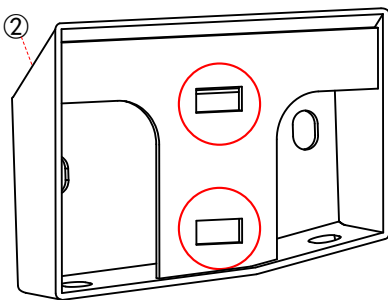
Step 4: Splicing the Bumper.

Note: There are two options for the front bumper installation, choose one according to your personal preference.

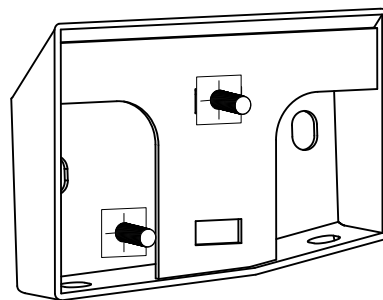
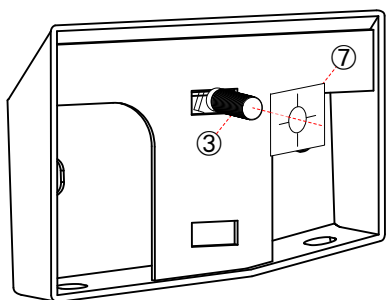


Install the bolts into the 2 bull bar barockets.

The bottom of the barockets

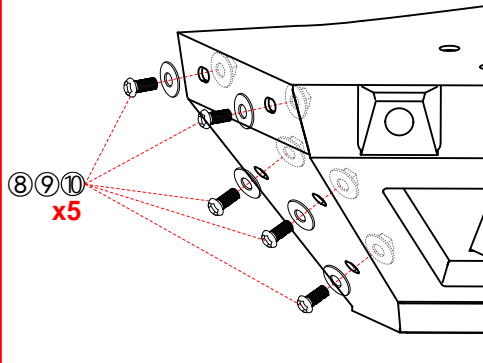


1 2
3 4

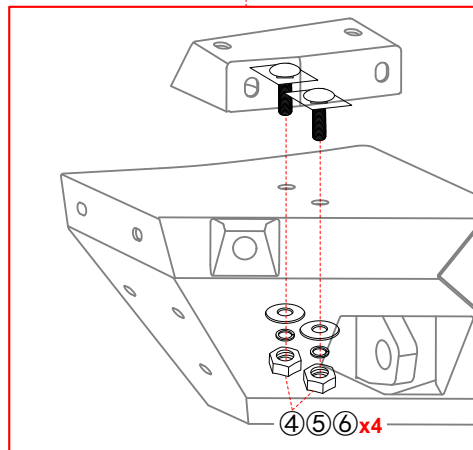
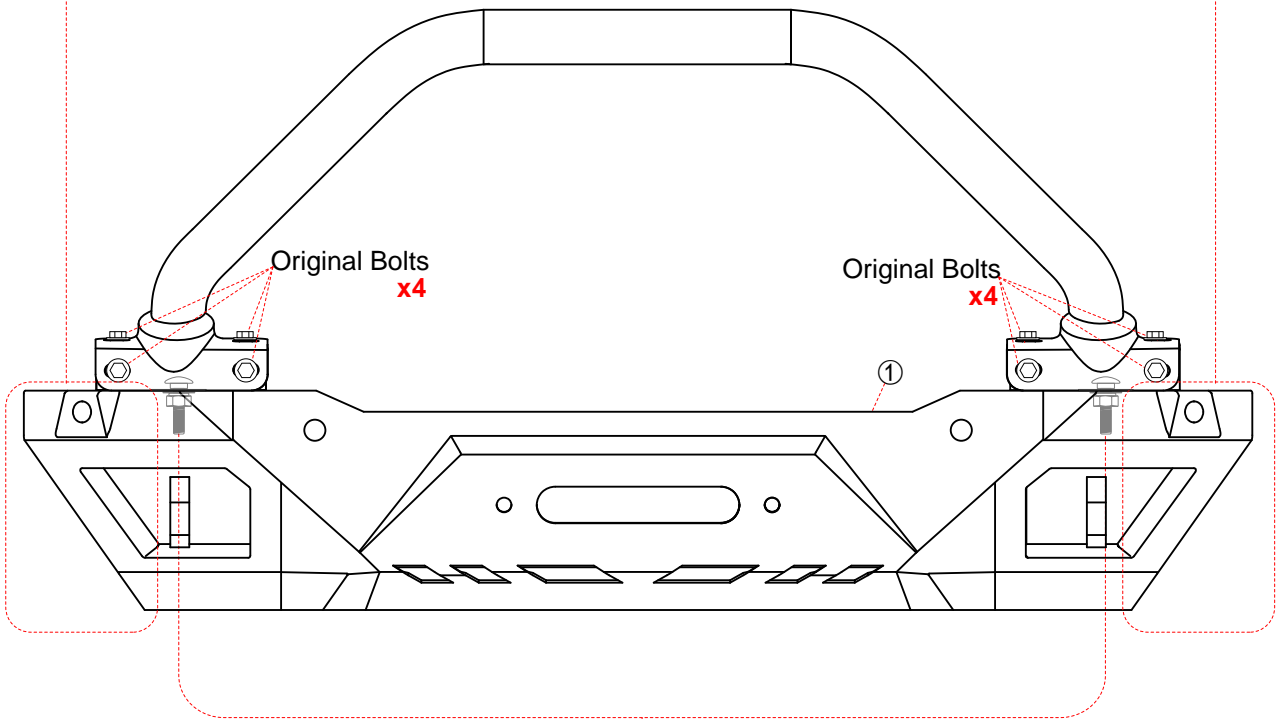
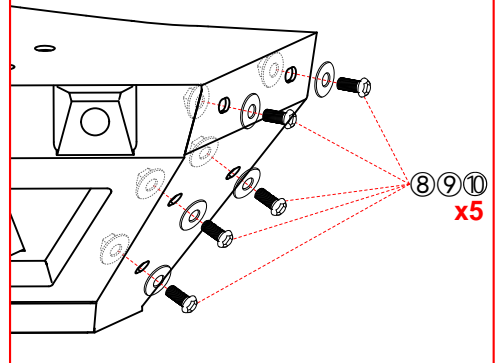


Option 1.

※ **Note:** The bolts here are used for decoration and can be installed or not according to personal preference.

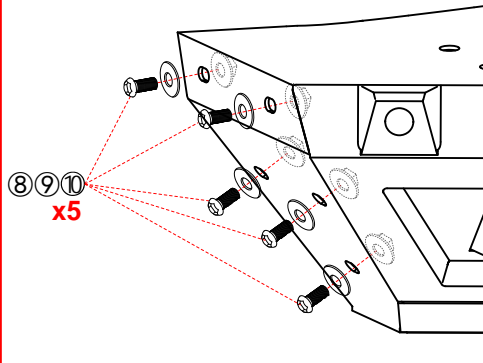


※ **Note:** The bolts here are used for decoration and can be installed or not according to personal preference.

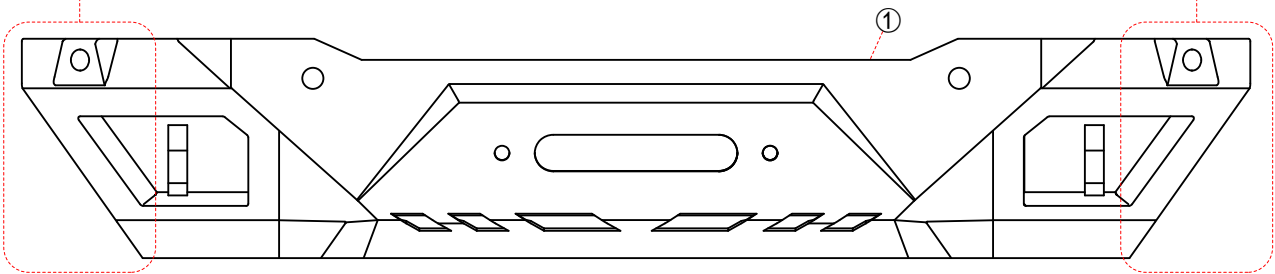
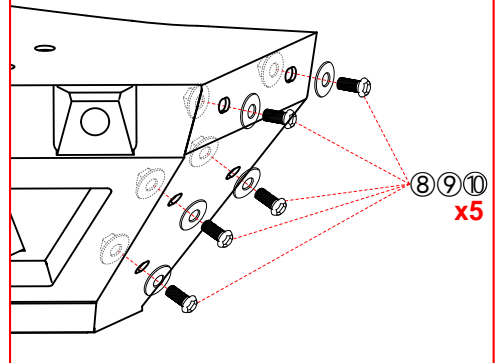


Option 2.

※ **Note:** The bolts here are used for decoration and can be installed or not according to personal preference.

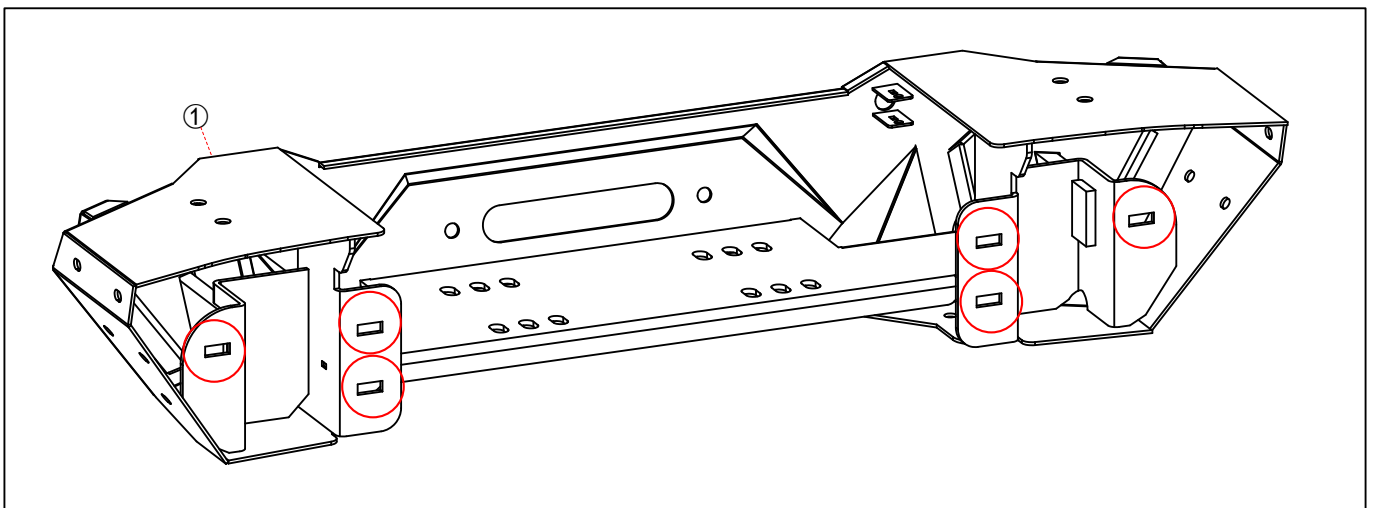


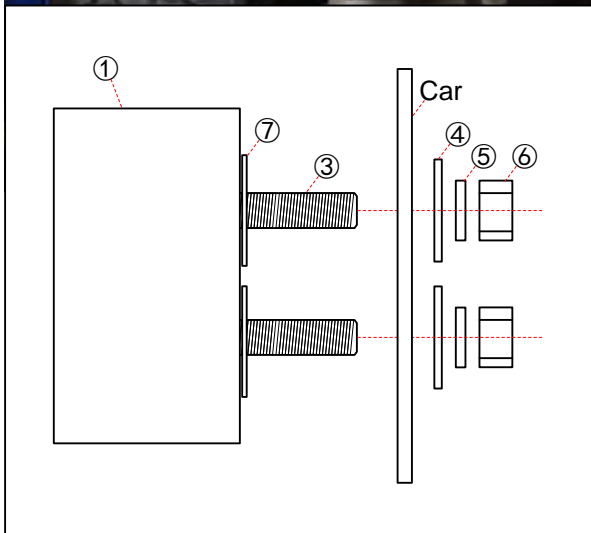
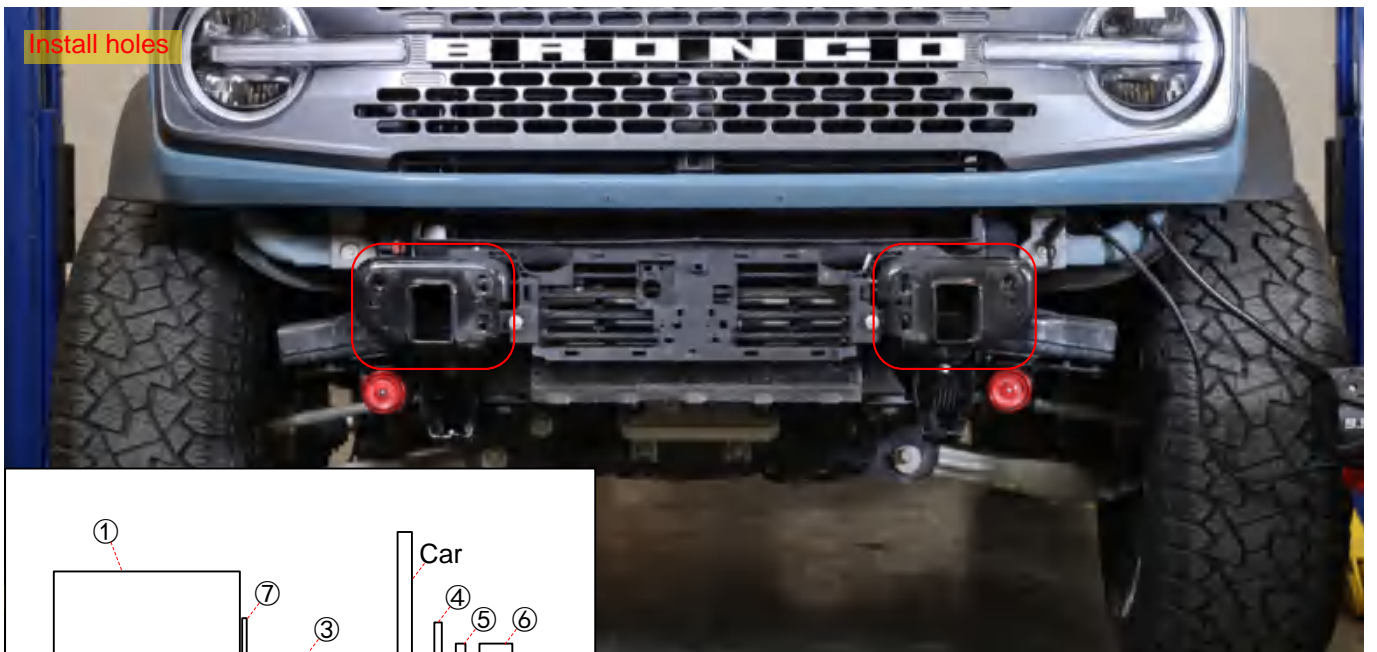
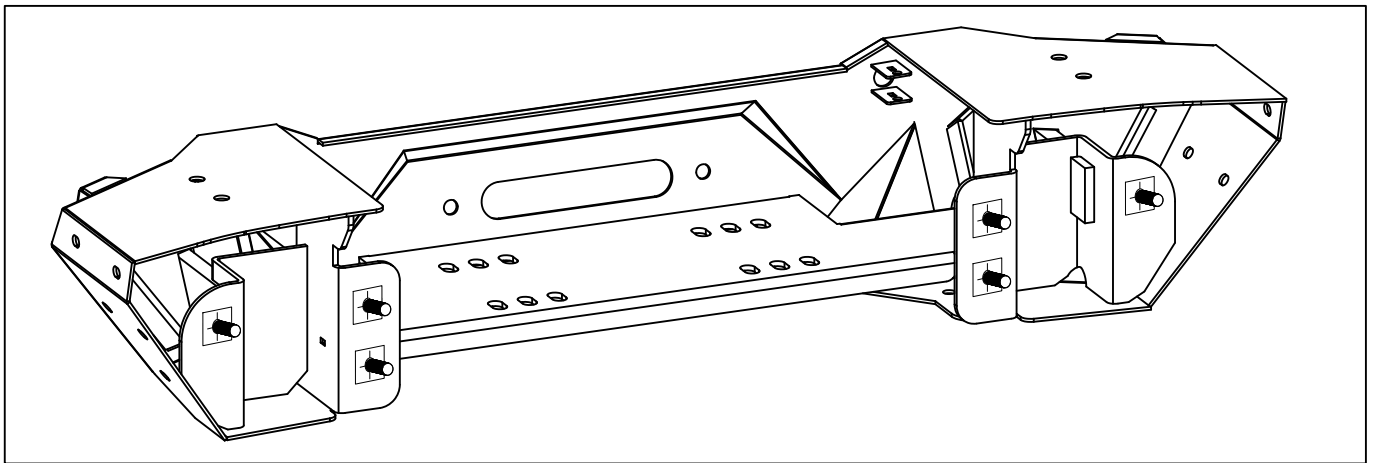
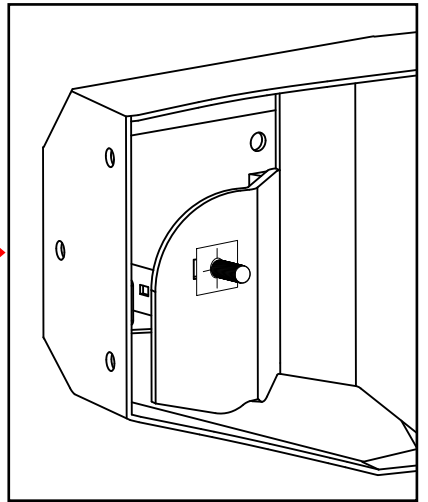
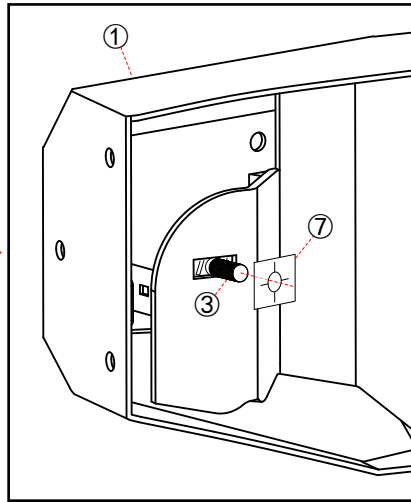
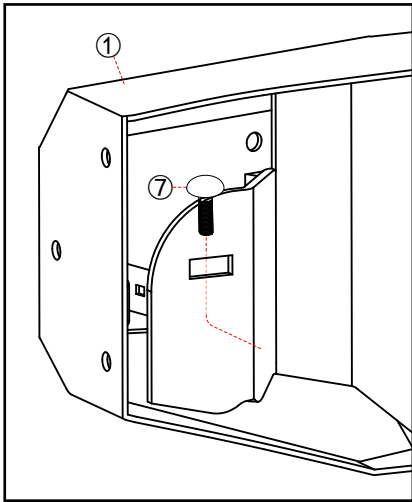
※ **Note:** The bolts here are used for decoration and can be installed or not according to personal preference.



※ **Note:** Please keep the Bull Bar Barckets properly. The Bull Bar is equipped with a Barcket. In case you need to install an Bull Bar.

Step 5: Install the Bumper.

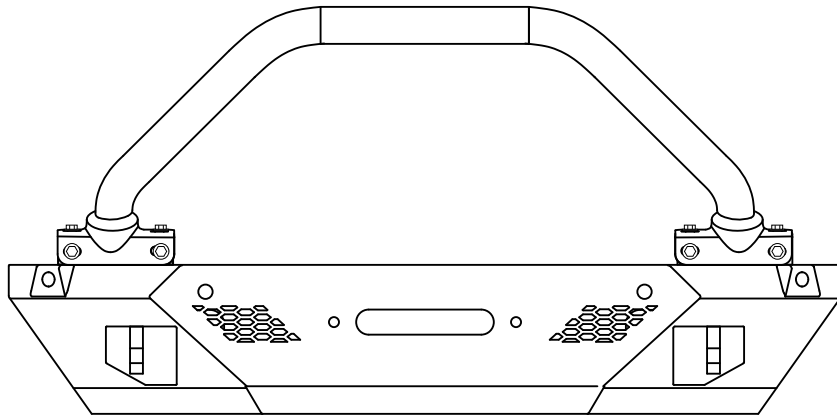




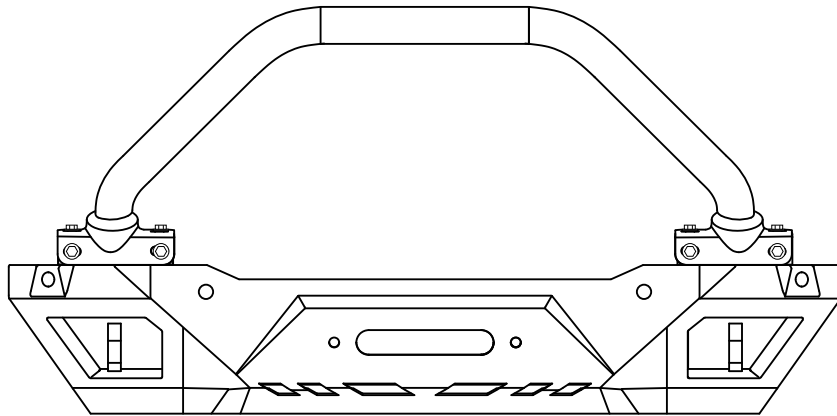
The Front Bumper is installed.

Option 1.

NFB01A103-1A

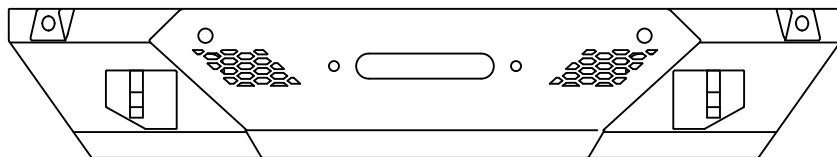


NFB01A103-1B

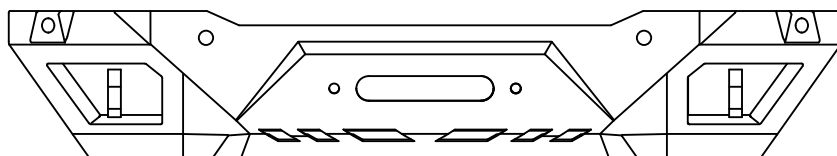


Option 2.

NFB01A103-1A



NFB01A103-1B



FRONT BUMPER SIDE WINGS

————— User Manual —————

2021-2023 Ford Bronco(not Bronco Sport)

NFB01A103-2A



NFB01A103-2C



Model:	NFB01A103-2A /NFB01A103-2C
Material:	Q235A
Product Dimensions:	17.3 x 14.7 x 8.1 inch
Package Dimensions:	24.4 x 8.6 x 16.9 inch
Product Weight:	24.5 lbs

※ Thank you for purchasing the FRONT BUMPER SIDE WINGS. Please read this manual carefully and keep it properly if you need to refer to it afterward. If you need any support or assistance, please contact us with your product model number and order number, and our support team will help you solve problems.

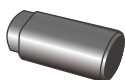

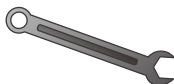

⚠ WARNING

※ This product is designed primarily to enhance the appearance of the vehicle. Do not rely in any way on the components of this product to protect against injury or death in the event of an accident. To reduce the risk of serious injury or property damage, please read all safety messages and understand all instructions and procedure notices before attempting to install or use this product.

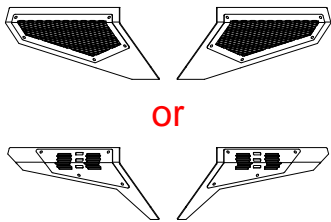
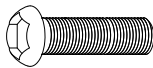

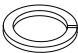

⚠ CAUTION

※ Properly torque and recheck fasteners and security of step tread after 250 miles and inspect frequently. Do not use if damaged.

REQUIRED TOOLS

Socket 	Ratchet 	Wrench 	Safety Glasses 
---	--	--	---

Parts Information

	NO.	Parts Name	Size	Line Graph	Qty	Color
①	2A	Front Bumper Side Wings L & R	/		1	Black
	2C					
②	B19	Half Head Allen Bolts	M8x25		7	Dacro Black
③	W19	Flat Washers	Φ8x24x2		13	Dacro Black
④	W16	Spring Washers	Φ8x24x2		7	Dacro Black
⑤	N22	Hex Nuts	M8		7	Dacro Black

※ Note: spare parts such as B19、 W19、 W16 and N22 are provided with 1PCS each (included in the number of parts details).

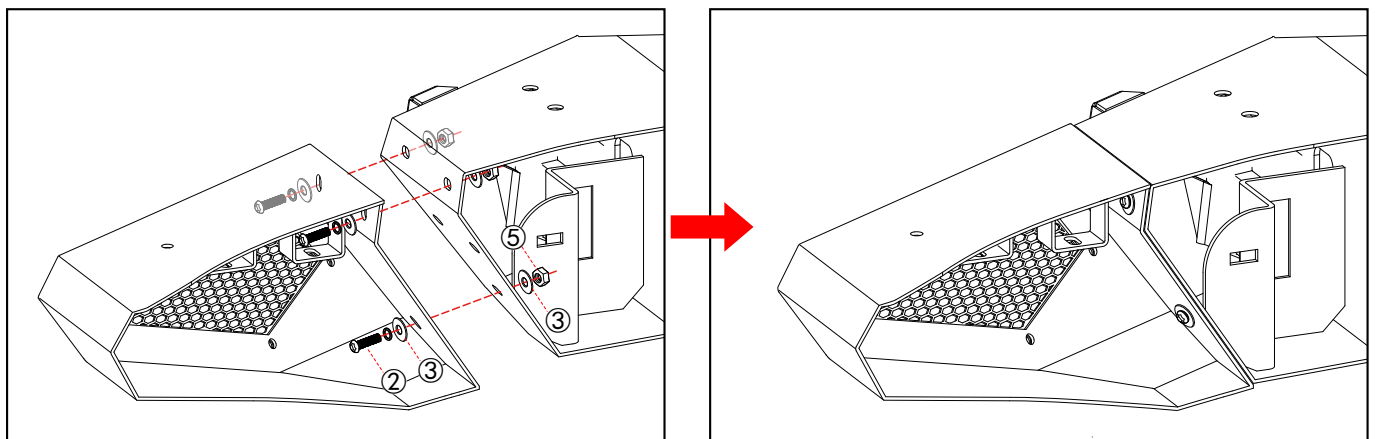
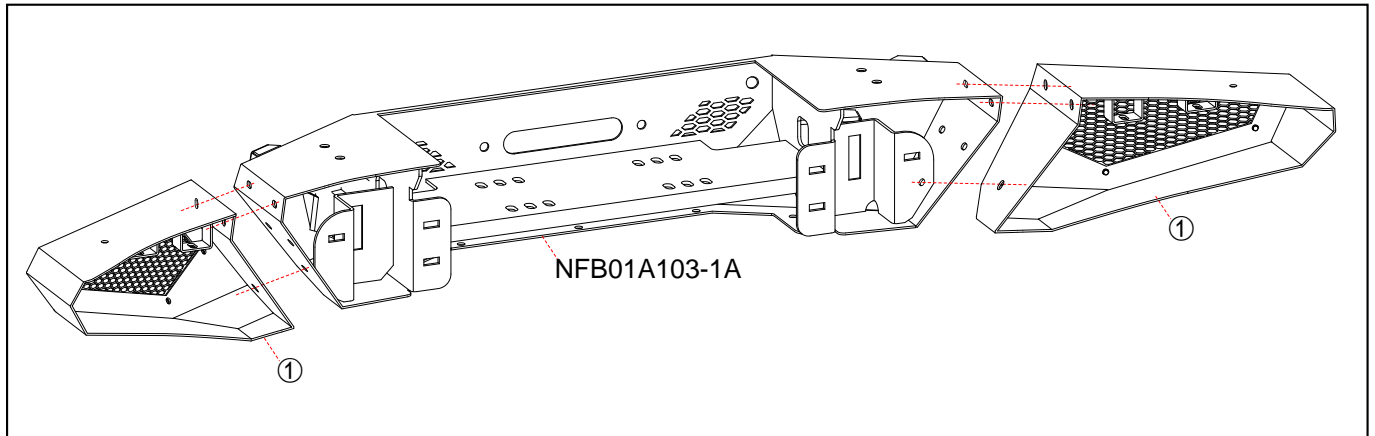
Installation Instructions

※ **Note:** This installation manual takes one of the models as an example.

Step 1: Open the carton and take out the parts. Check whether the number of components is complete.

Step 2: Install the Side Wings.

Note: This side wings only suitable for our Front Bumper model of NFB01A103-1A & 1B.



The Side Wings is installed.



※ **Note:** This side wings only suitable for our Front Bumper model of NFB01A103-1A & 1B.

NFB01A103-2A & NFB01A103-1A



NFB01A103-2A & NFB01A103-1B



NFB01A103-2C & NFB01A103-1A



NFB01A103-2C & NFB01A103-1B



FRONT BUMPER SIDE WINGS

————— User Manual —————

2021-2023 Ford Bronco(not Bronco Sport)



Model:	NFB01A103-2B
Material:	Q235A
Product Dimensions:	18.3 x 11 x 8.5 inch
Package Dimensions:	24.4 x 8.6 x 16.9 inch
Product Weight:	24.5 lbs

※ Thank you for purchasing the FRONT BUMPER SIDE WINGS. Please read this manual carefully and keep it properly if you need to refer to it afterward. If you need any support or assistance, please contact us with your product model number and order number, and our support team will help you solve problems.



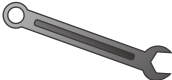

⚠ WARNING

※ This product is designed primarily to enhance the appearance of the vehicle. Do not rely in any way on the components of this product to protect against injury or death in the event of an accident. To reduce the risk of serious injury or property damage, please read all safety messages and understand all instructions and procedure notices before attempting to install or use this product.

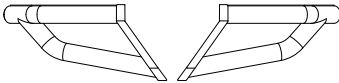
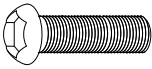
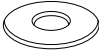


⚠ CAUTION

※ Properly torque and recheck fasteners and security of step tread after 250 miles and inspect frequently. Do not use if damaged.

REQUIRED TOOLS

Socket 	Ratchet 	Wrench 	Safety Glasses 
---	--	--	---

Parts Information

	NO.	Parts Name	Size	Line Graph	Qty	Color
①	2B	Front Bumper Side Wings L & R	/		1	Black
②	B19	Half Head Allen Bolts	M8x25		9	Dacro Black
③	W19	Flat Washers	Φ8x24x2		17	Dacro Black
④	W16	Spring Washers	Φ8x24x2		9	Dacro Black
⑤	N22	Hex Nuts	M8		9	Dacro Black

※ Note: spare parts such as B19、W19、W16 and N22 are provided with 1PCS each (included in the number of parts details).

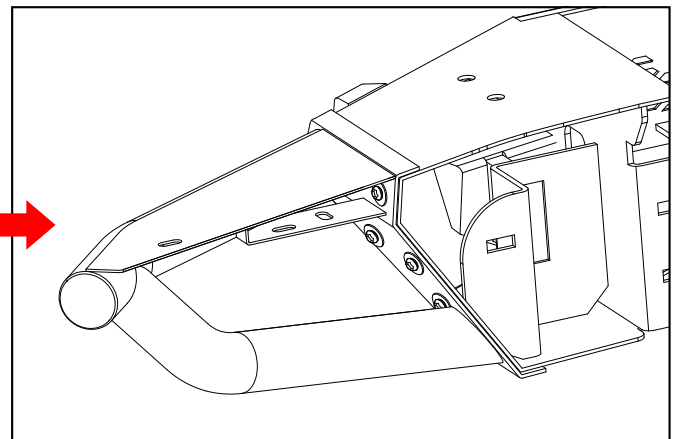
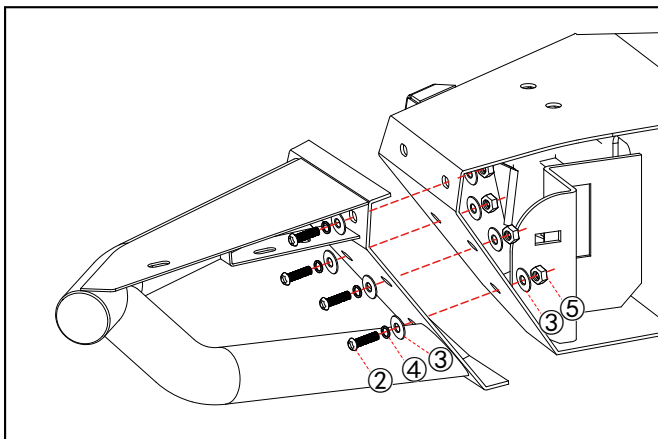
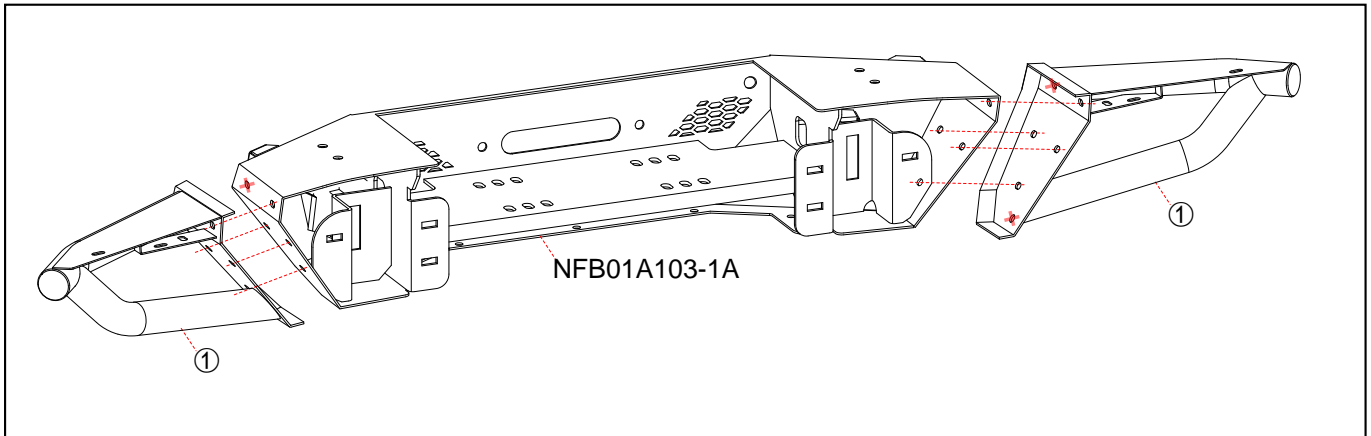
Installation Instructions

※ **Note:** This installation manual takes one of the models as an example.

Step 1: Open the carton and take out the parts. Check whether the number of components is complete.

Step 2: Install the Side Wings.

Note: This side wings only suitable for our Front Bumper model of NFB01A103-1A & 1B.



The Side Wings is installed.



※ **Note:** This side wings only suitable for our Front Bumper model of NFB01A103-1A & 1B.

NFB01A103-2B & NFB01A103-1A



NFB01A103-2B & NFB01A103-1B



FRONT BUMPER BULL BAR

————— User Manual —————

2021-2023 Ford Bronco(not Bronco Sport)



Model:	NFB01A103-3A
Material:	Q235A
Product Dimensions:	66.1 x 15.5 x 9.6 inch
Package Dimensions:	29.5 x 13.3 x 5.5 inch
Product Weight:	18.6 lbs

※ Thank you for purchasing the FRONT BUMPER BULL BAR. Please read this manual carefully and keep it properly if you need to refer to it afterward. If you need any support or assistance, please contact us with your product model number and order number, and our support team will help you solve problems.



⚠ WARNING

※ This product is designed primarily to enhance the appearance of the vehicle. Do not rely in any way on the components of this product to protect against injury or death in the event of an accident. To reduce the risk of serious injury or property damage, please read all safety messages and understand all instructions and procedure notices before attempting to install or use this product.

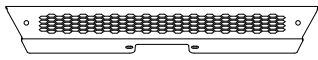


⚠ CAUTION

※ Properly torque and recheck fasteners and security of step tread after 250 miles and inspect frequently. Do not use if damaged.

REQUIRED TOOLS

Socket 	Ratchet 	Wrench 	Allen Wrench 	Safety Glasses 
---	--	---	--	---

Parts Information

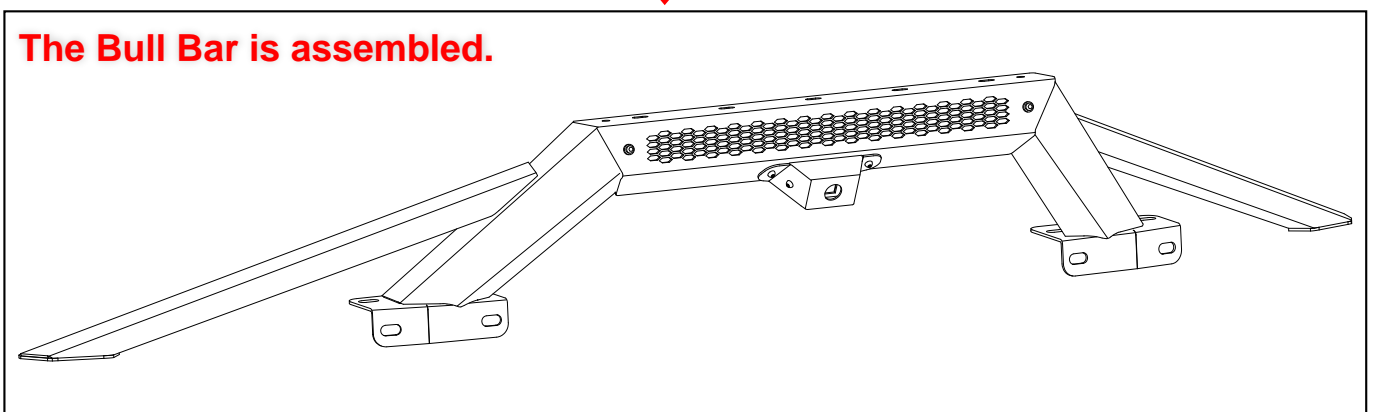
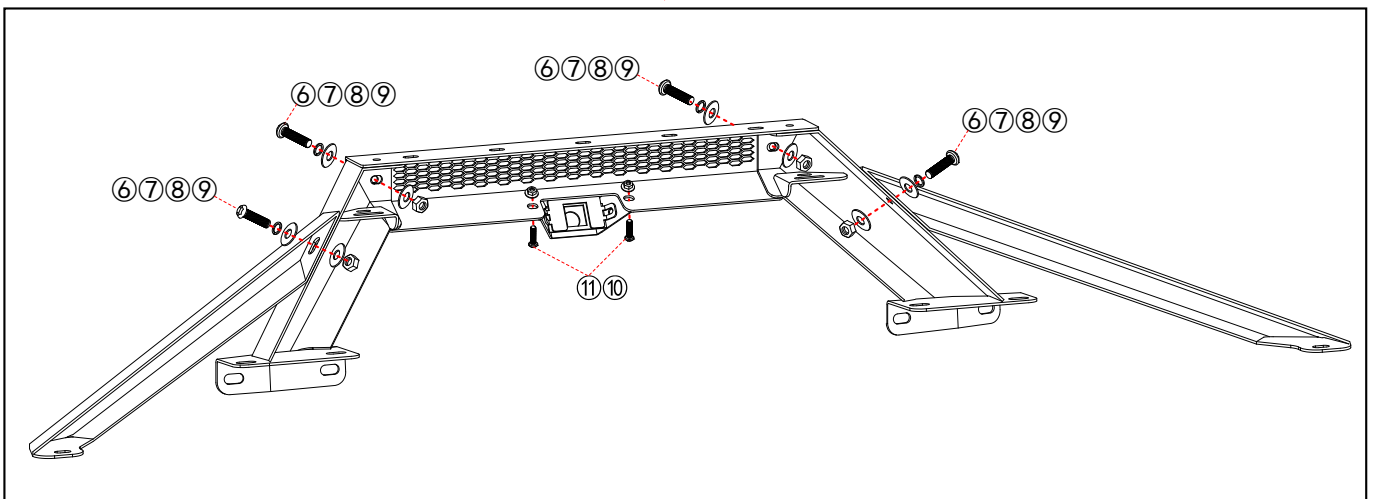
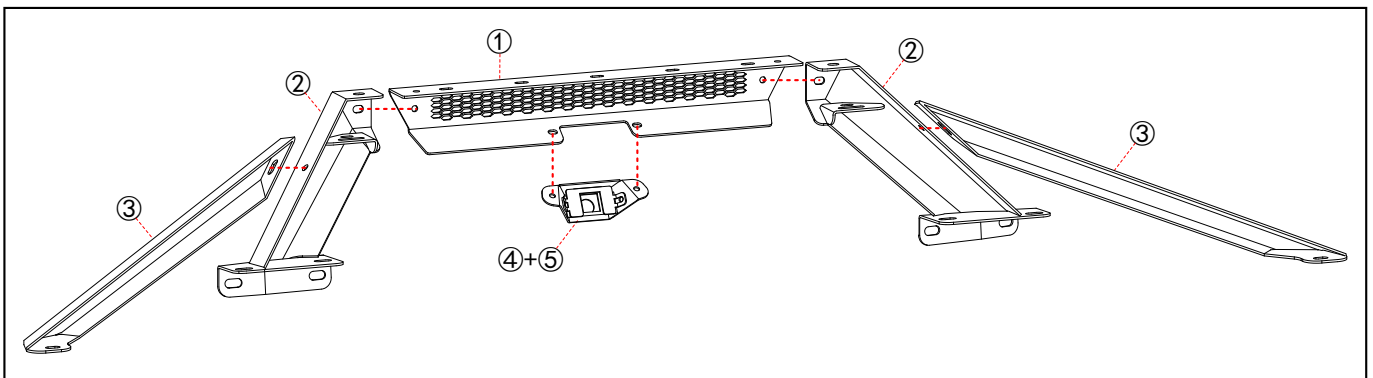
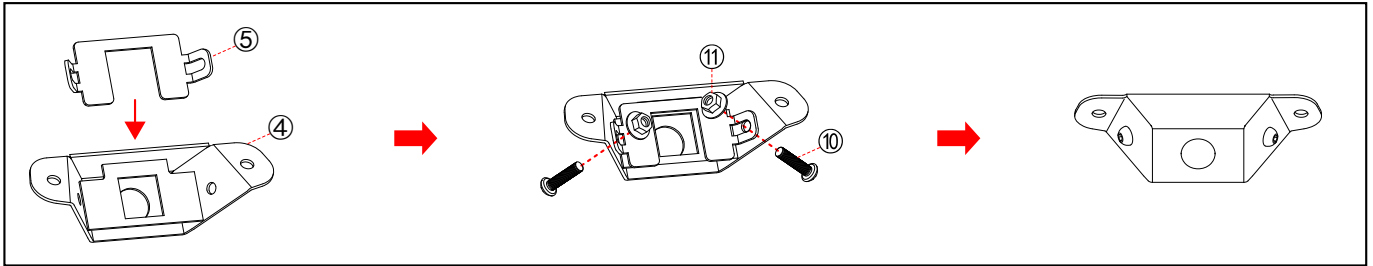
	NO.	Parts Name	Size	Line Graph	Qty	Color
①	/	Bull Bar Connector	/		1	Black
②	/	Left/Right Bull Bar 1	/		1	Black
③	/	Left/Right Bull Bar 2	/		1	Black
④	/	Camera Barcket 1	/		1	Black
⑤	/	Camera Barcket 2	/		1	Black
⑥	B19	Half Head Allen Bolts	M8x25		17	Dacro Black
⑦	W19	Flat Washer	Φ8x24x2		33	Dacro Black
⑧	W16	Spring Washer	Φ8		17	Dacro Black
⑨	N22	Hex Nuts	M8		17	Dacro Black
⑩	B06	Half Head Allen Bolts	M6x15		5	Dacro Black
⑪	N09	Hex Flange Nuts	M6		5	Dacro Black

※ Note: spare parts such as B19、W19、W16、N22、B06 and N09 are provided with 1PCS each (included in the number of parts details).

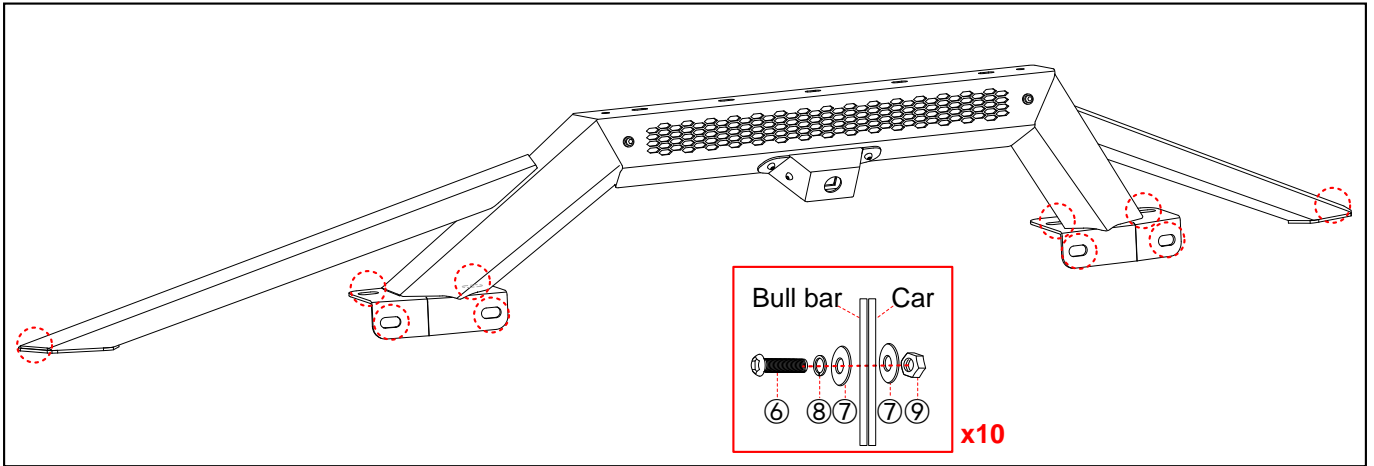
Installation Instructions

Step 1: Open the carton and take out the parts. Check whether the number of components is complete.

Step 2: Splicing the Bumper.

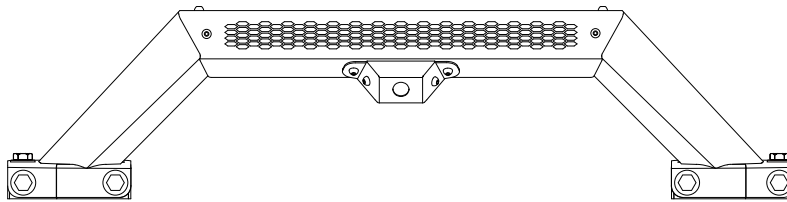


Step 3: Install the Bull Bar.

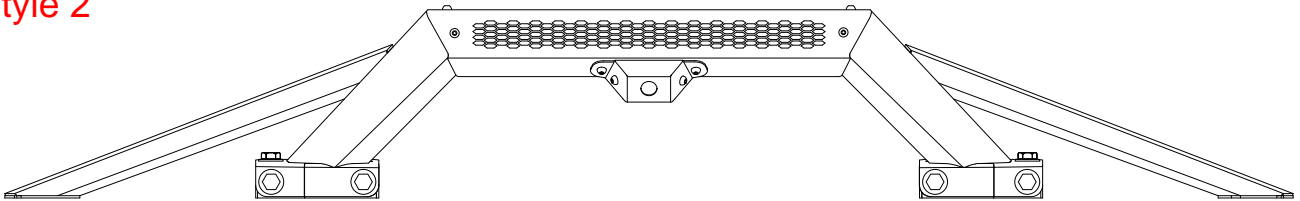


Enjoy our unique 2 in 1 bull bar design in which can be adjusted into 2 styles in according to your personal preference.

Style 1



Style 2



***NOTE: This design only fits for NFB01A103(WITH SIDE WINGS)**

FRONT BUMPER BULL BAR

————— User Manual —————

2021-2023 Ford Bronco(not Bronco Sport)



Model:	NFB01A103-3B
Material:	Q235A
Product Dimensions:	64.7 x 15.3 x 9.5 inch
Package Dimensions:	42.5 x 13.3 x 5.5 inch
Product Weight:	18.4 lbs

※ Thank you for purchasing the FRONT BUMPER. Please read this manual carefully and keep it properly if you need to refer to it afterward. If you need any support or assistance, please contact us with your product model number and order number, and our support team will help you solve problems.



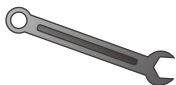


⚠ WARNING

※ This product is designed primarily to enhance the appearance of the vehicle. Do not rely in any way on the components of this product to protect against injury or death in the event of an accident. To reduce the risk of serious injury or property damage, please read all safety messages and understand all instructions and procedure notices before attempting to install or use this product.

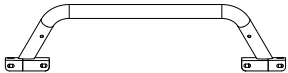

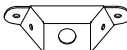
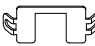

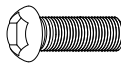
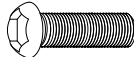



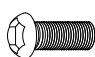


⚠ CAUTION

※ Properly torque and recheck fasteners and security of step tread after 250 miles and inspect frequently. Do not use if damaged.

REQUIRED TOOLS

Socket 	Ratchet 	Wrench 	Allen Wrench 	Safety Glasses 
---	--	---	--	---

Parts Information

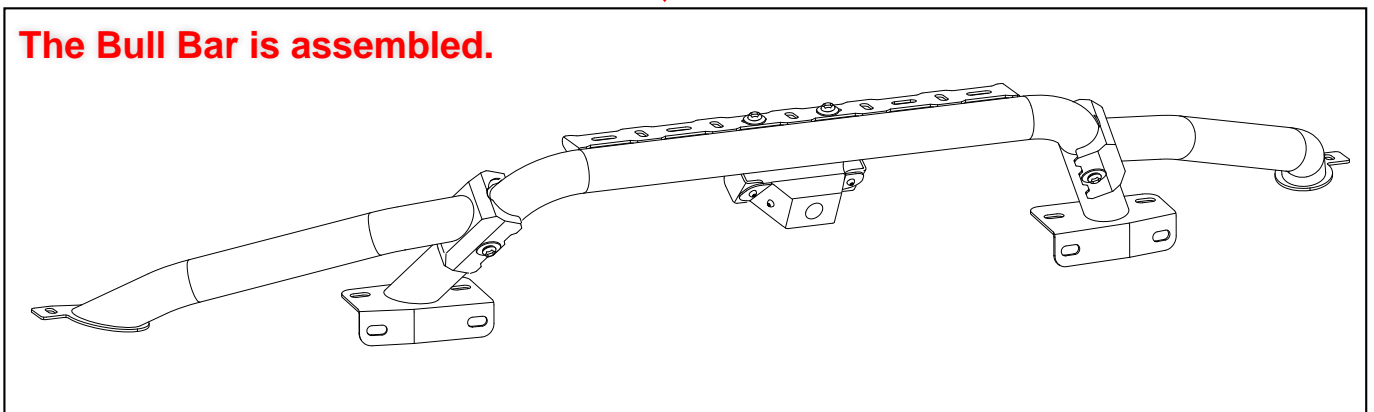
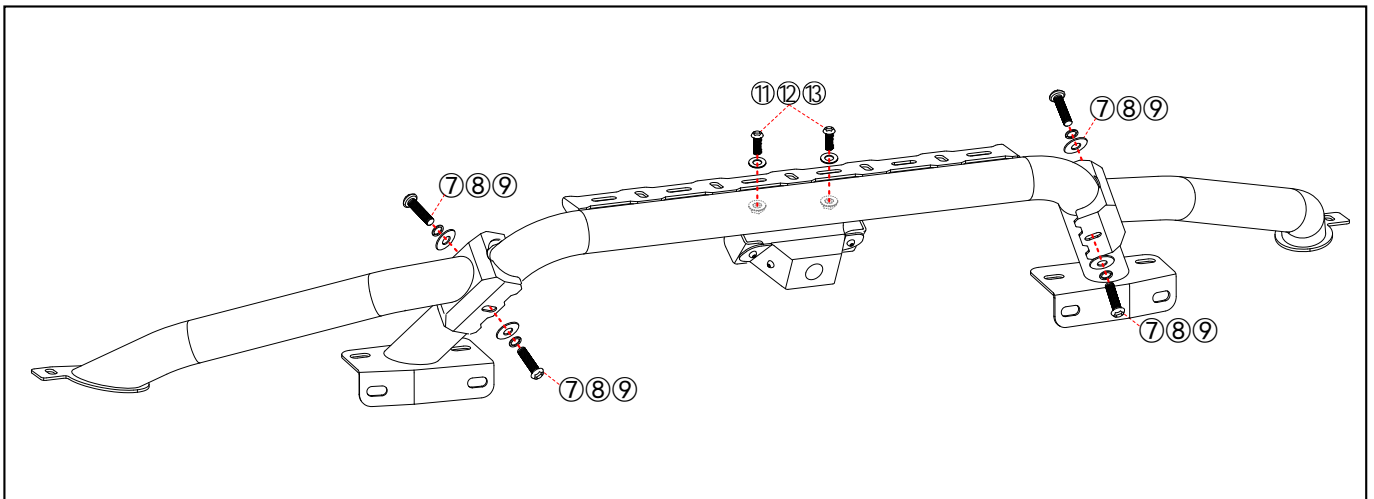
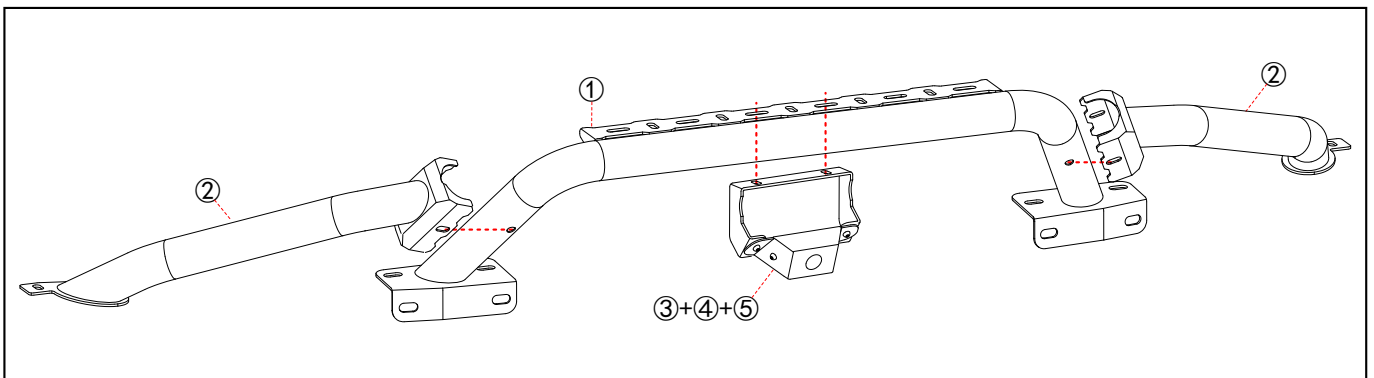
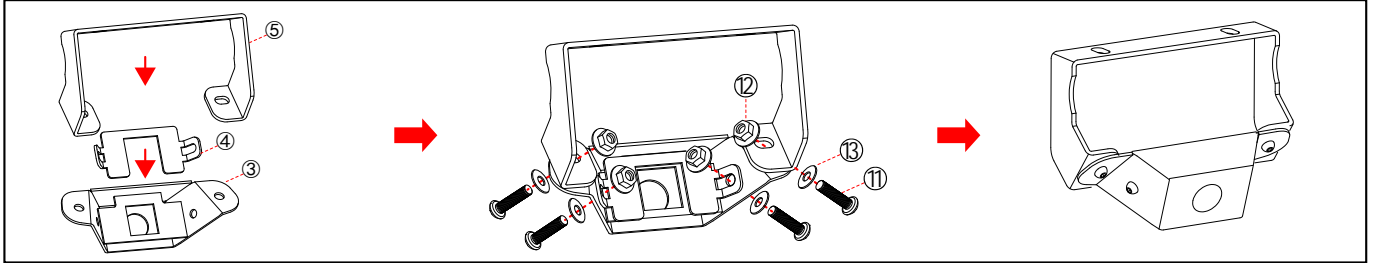
	NO.	Parts Name	Size	Line Graph	Qty	Color
①	/	Bull Bar 1	/		1	Black
②	/	Left/Right Bull Bar 2	/		1	Black
③	/	Carmer Barcket 1	/		1	Black
④	/	Carmer Barcket 2	/		1	Black
⑤	/	Carmer Barcket 3	/		1	Black
⑥	B19	Half Head Allen Bolts	M8x25		11	Dacro Black
⑦	B23	Half Head Allen Bolts	M8x30		5	Dacro Black
⑧	W19	Flat Washer	Φ8x24x2		25	Dacro Black
⑨	W16	Spring Washer	Φ8		15	Dacro Black
⑩	N22	Hex Nuts	M8		11	Dacro Black
⑪	B06	Half Head Allen Bolts	M6x15		7	Dacro Black
⑫	N09	Hex Flange Nuts	M6		7	Dacro Black
⑬	W13	Flat Washer	Φ6x18x1		7	Dacro Black

※ Note: spare parts such as B19、 B23、 W19、 W16、 N22、 B06、 N09 and W13 are provided with 1PCS each (included in the number of parts details).

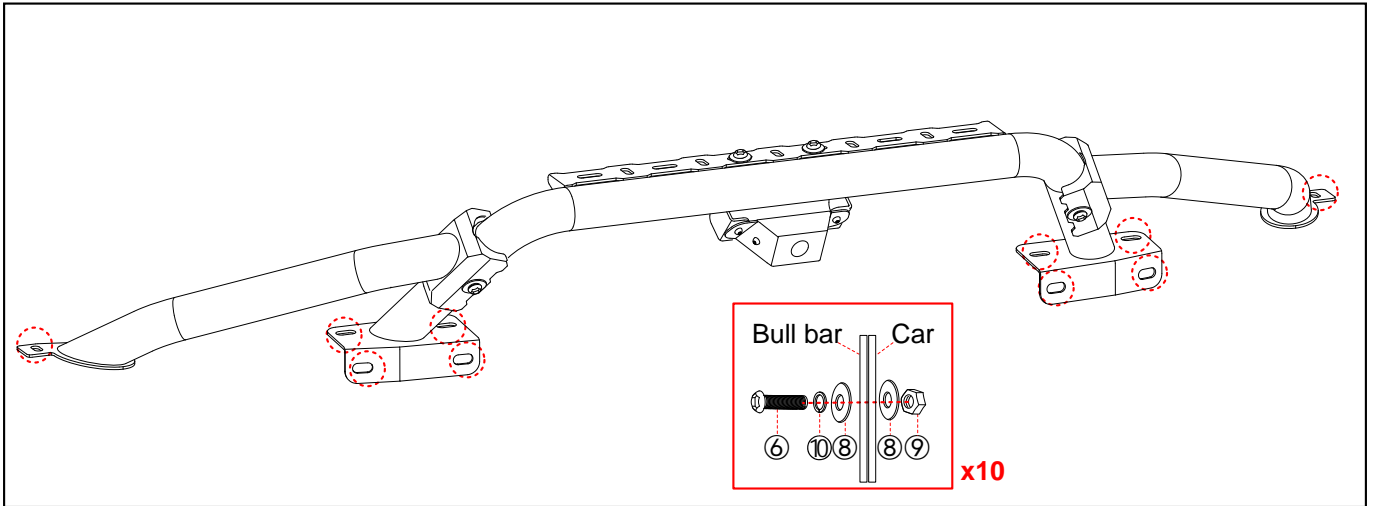
Installation Instructions

Step 1: Open the carton and take out the parts. Check whether the number of components is complete.

Step 2: Splicing the Bumper.

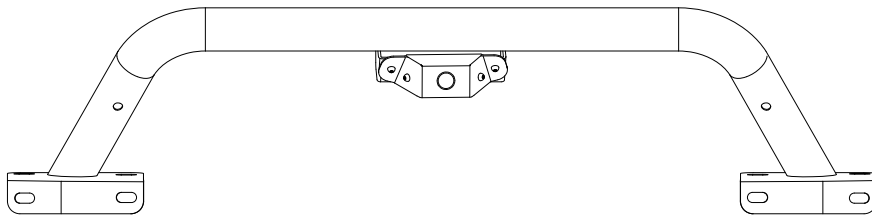


Step 3: Install the Bull Bar.

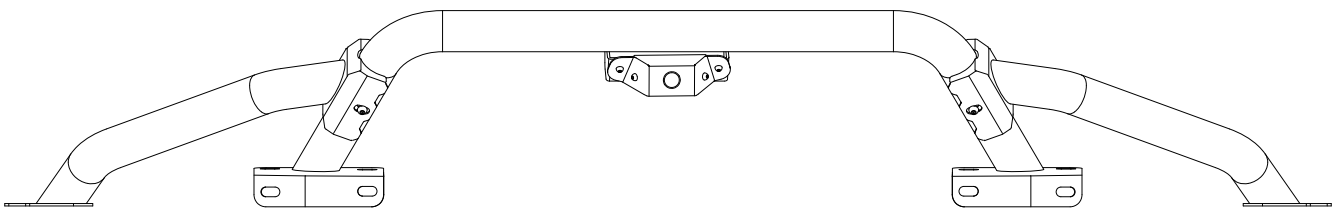


Enjoy our unique 2 in 1 bull bar design in which can be adjusted into 2 styles in according to your personal preference.

Style 1



Style 2



***NOTE: This design only fits for NFB01A103(WITH SIDE WINGS)**

FRONT BUMPER BULL BAR

————— User Manual —————

2021-2023 Ford Bronco(not Bronco Sport)



Model:	NFB01A103-3C
Material:	Q235A
Product Dimensions:	40.4 x 8.06 x 7.28 inch
Package Dimensions:	29.5 x 13.3 x 5.5 inch
Product Weight:	18.6 lbs

※ Thank you for purchasing the FRONT BUMPER BULL BAR. Please read this manual carefully and keep it properly if you need to refer to it afterward. If you need any support or assistance, please contact us with your product model number and order number, and our support team will help you solve problems.

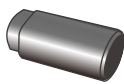

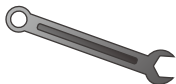


⚠ WARNING

※ This product is designed primarily to enhance the appearance of the vehicle. Do not rely in any way on the components of this product to protect against injury or death in the event of an accident. To reduce the risk of serious injury or property damage, please read all safety messages and understand all instructions and procedure notices before attempting to install or use this product.


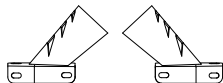

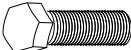
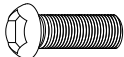



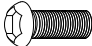

⚠ CAUTION

※ Properly torque and recheck fasteners and security of step tread after 250 miles and inspect frequently. Do not use if damaged.

REQUIRED TOOLS

Socket 	Ratchet 	Wrench 	Allen Wrench 	Safety Glasses 
---	--	---	--	---

Parts Information

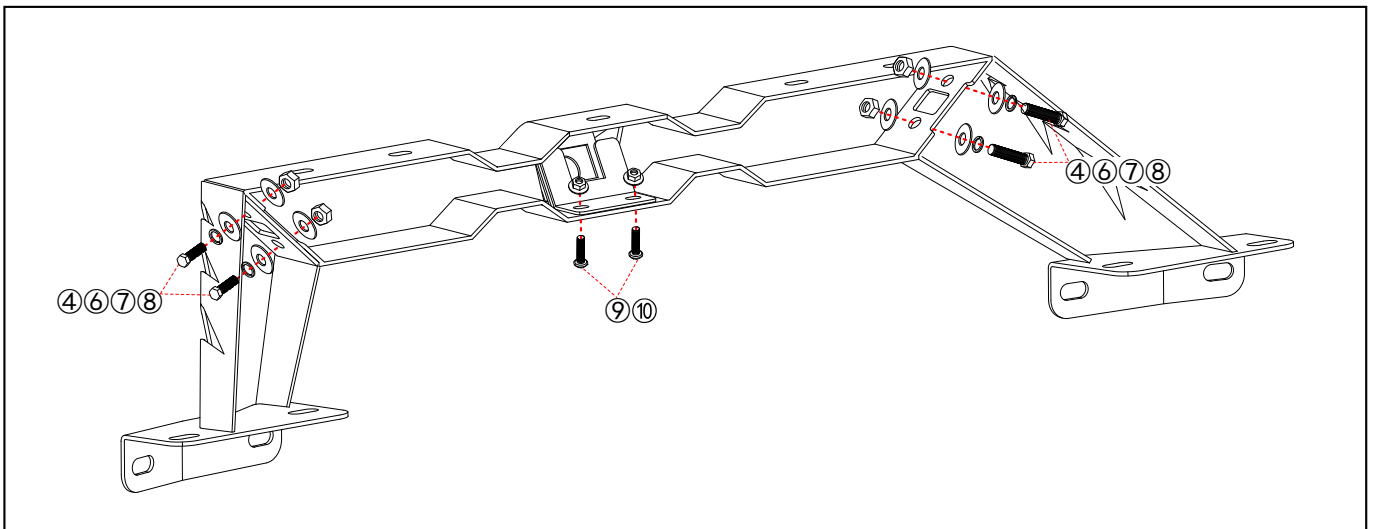
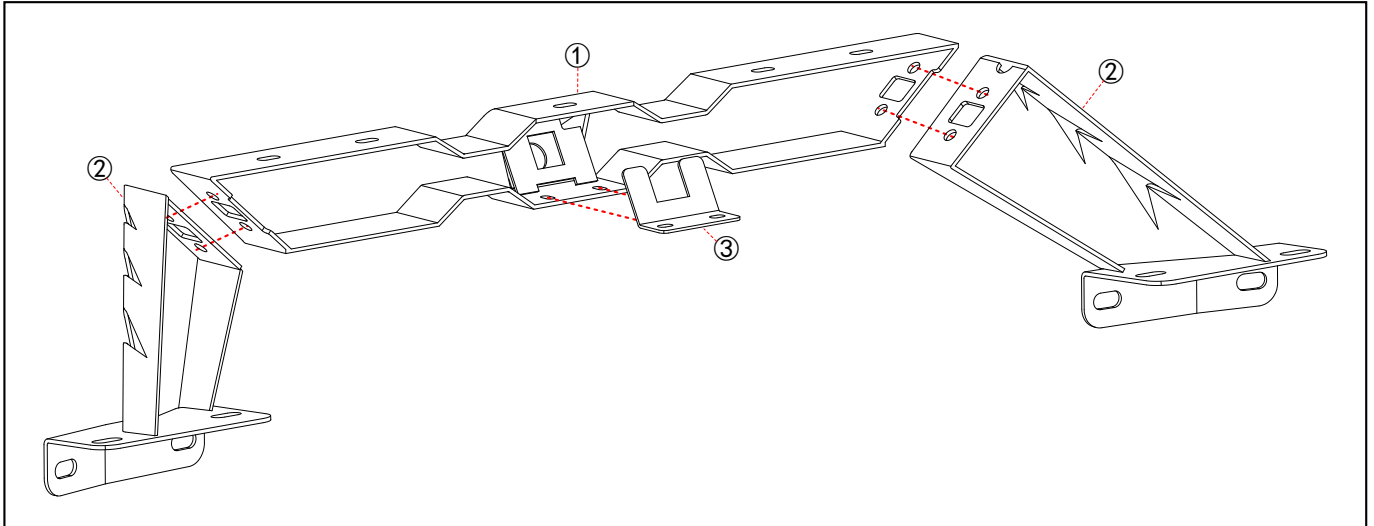
	NO.	Parts Name	Size	Line Graph	Qty	Color
①	/	Top Bull Bar	/		1	Black
②	/	Left/Right Bull Bar	/		1	Black
③	/	Carmer Barrect	/		1	Black
④	B20	Hex Bolts	M8x25		5	Dacro Black
⑤	B19	Half Head Allen Bolts	M8x25		5	Dacro Black
⑥	W19	Flat Washer	Φ8x24x2		25	Dacro Black
⑦	W16	Spring Washer	Φ8		13	Dacro Black
⑧	N22	Hex Nuts	M8		13	Dacro Black
⑨	B06	Half Head Allen Bolts	M6x15		3	Dacro Black
⑩	N09	Hex Flange Nuts	M6		3	Dacro Black

※ Note: spare parts such as B20、 B19、 W19、 W16、 N22、 B06 and N09 are provided with 1PCS each (included in the number of parts details).

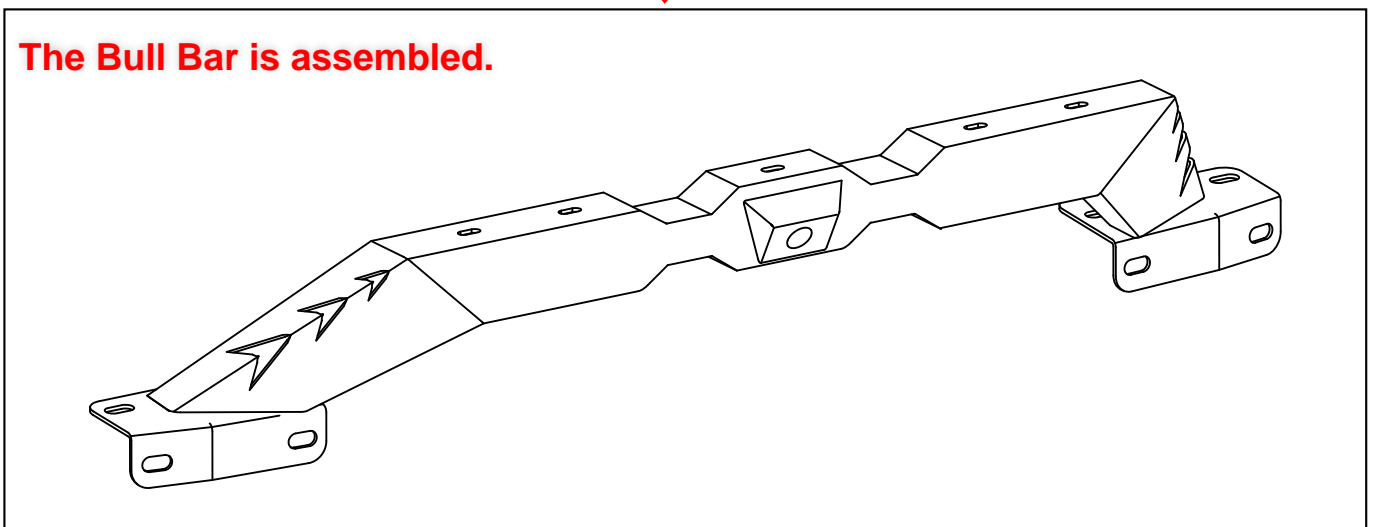
Installation Instructions

Step 1: Open the carton and take out the parts. Check whether the number of components is complete.

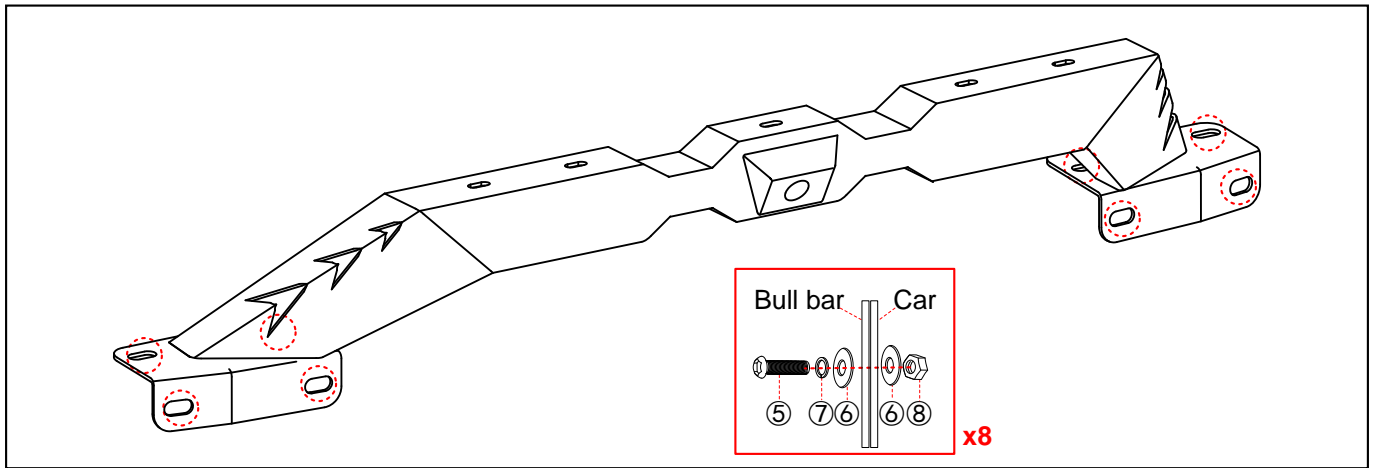
Step 2: Splicing the Bumper.



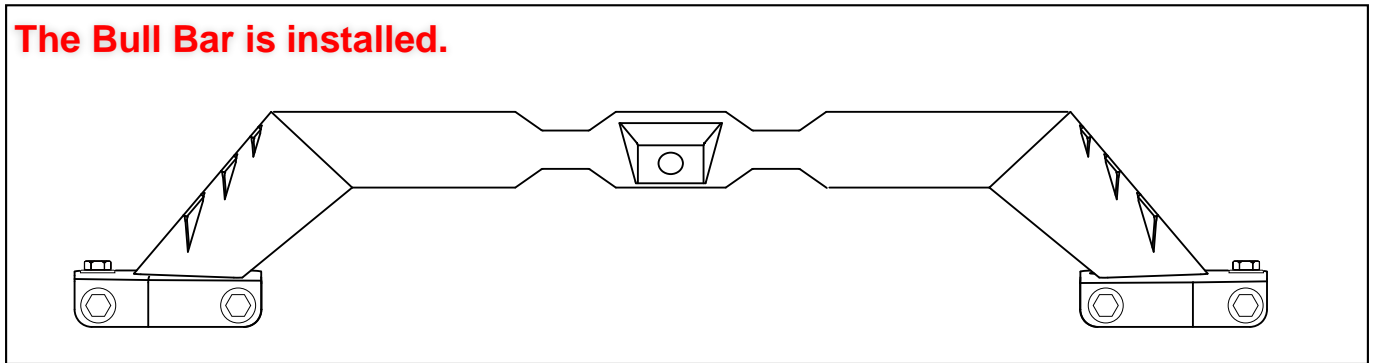
The Bull Bar is assembled.



Step 3: Install the Bull Bar.



The Bull Bar is installed.



FRONT BUMPER BULL BAR

————— User Manual —————

2021-2023 Ford Bronco(not Bronco Sport)



Model:	NFB01A103-3D
Material:	Q235A
Product Dimensions:	67.7 x 6.4 x 18inch
Package Dimensions:	29.5 x 13.3 x 5.5 inch
Product Weight:	37.47 lbs

※ Thank you for purchasing the FRONT BUMPER BULL BAR. Please read this manual carefully and keep it properly if you need to refer to it afterward. If you need any support or assistance, please contact us with your product model number and order number, and our support team will help you solve problems.



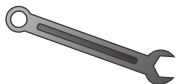


⚠ WARNING

※ This product is designed primarily to enhance the appearance of the vehicle. Do not rely in any way on the components of this product to protect against injury or death in the event of an accident. To reduce the risk of serious injury or property damage, please read all safety messages and understand all instructions and procedure notices before attempting to install or use this product.

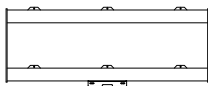
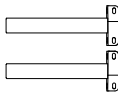
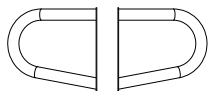

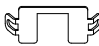
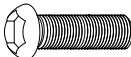
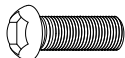



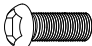

⚠ CAUTION

※ Properly torque and recheck fasteners and security of step tread after 250 miles and inspect frequently. Do not use if damaged.

REQUIRED TOOLS

Socket 	Ratchet 	Wrench 	Allen Wrench 	Safety Glasses 
---	--	---	--	---

Parts Information

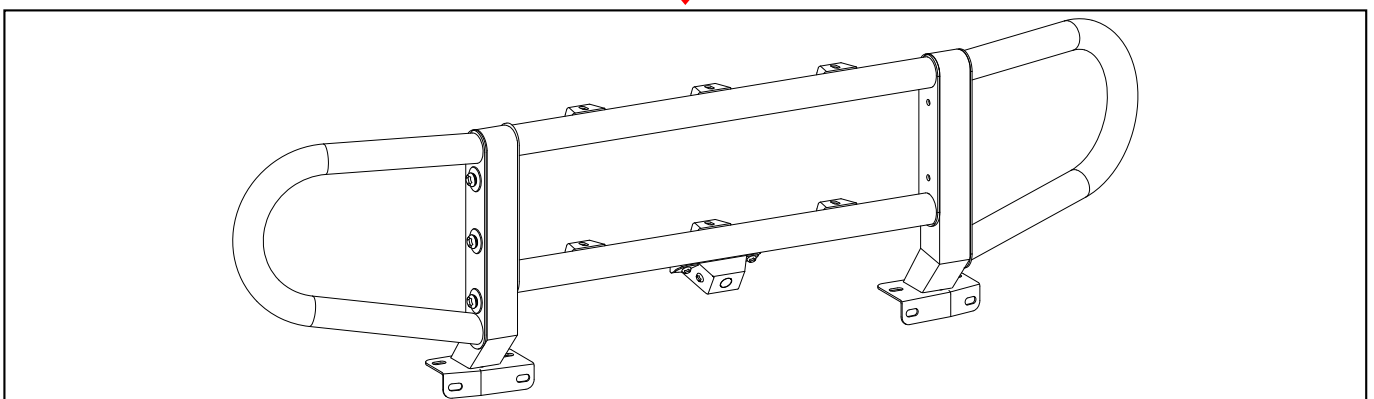
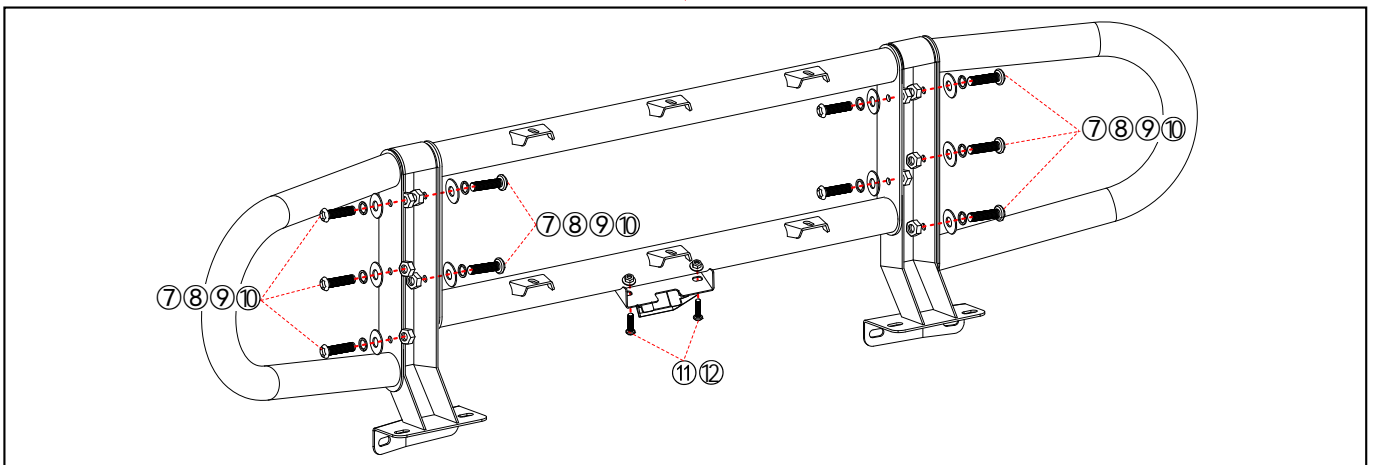
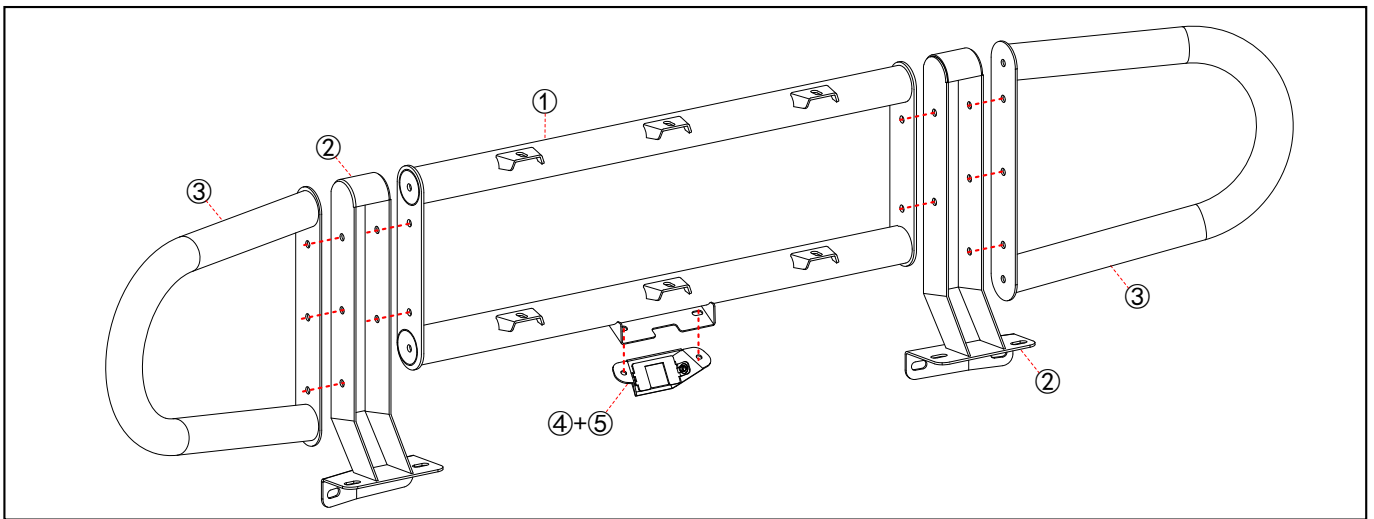
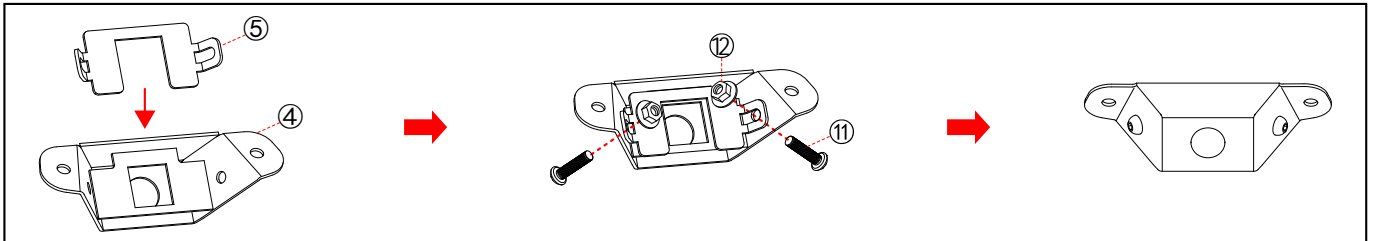
	NO.	Parts Name	Size	Line Graph	Qty	Color
①	/	Bull Bar	/		1	Black
②	/	Left/Right Bull Bar 1	/		1	Black
③	/	Left/Right Bull Bar 2	/		1	Black
④	/	Carmer Barcket 1	/		1	Black
⑤	/	Carmer Barcket 2	/		1	Black
⑥	B65	Half Head Allen Bolts	M8x35		9	Dacro Black
⑦	B19	Half Head Allen Bolts	M8x25		11	Dacro Black
⑧	W19	Flat Washer	Φ8x24x2		27	Dacro Black
⑨	W16	Spring Washer	Φ8		19	Dacro Black
⑩	N22	Hex Nuts	M8		19	Dacro Black
⑪	B05	Half Head Allen Bolts	M6x10		5	Dacro Black
⑫	N09	Hex Flange Nuts	M6		5	Dacro Black

※ Note: spare parts such as B69、B19、W19、W16、N22、B06 and N09 are provided with 1PCS each (included in the number of parts details).

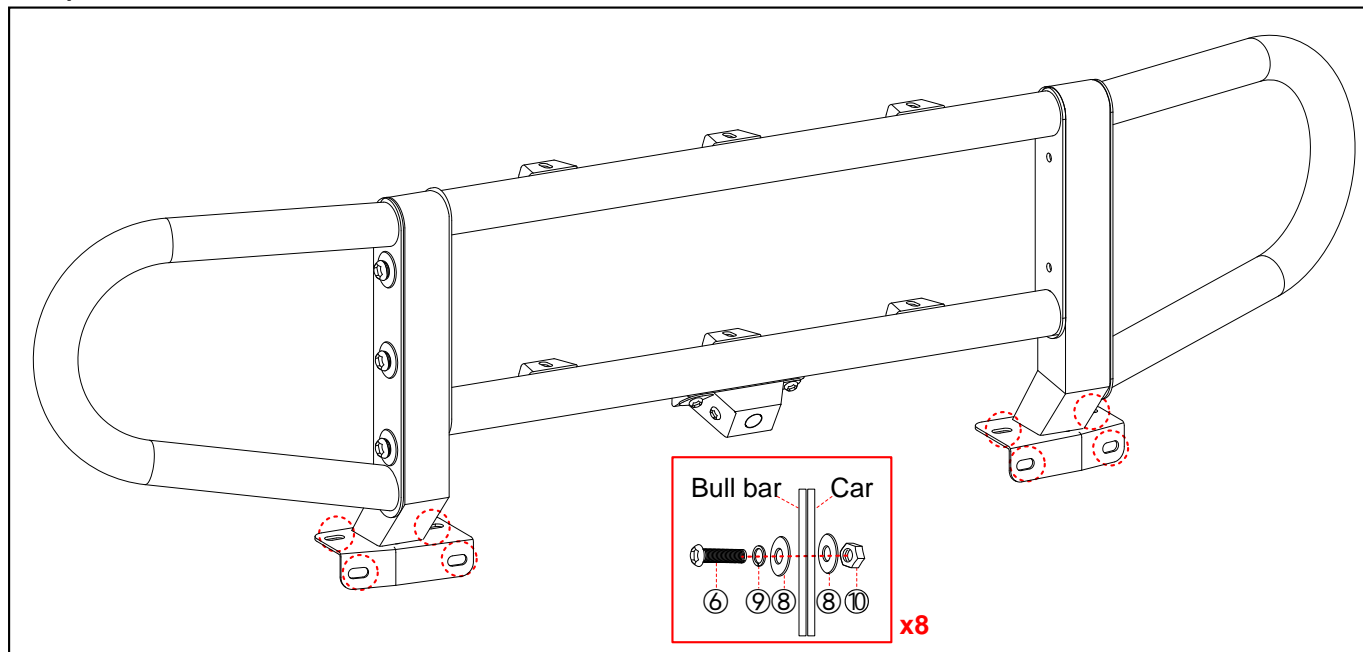
Installation Instructions

Step 1: Open the carton and take out the parts. Check whether the number of components is complete.

Step 2: Splicing the Bumper.



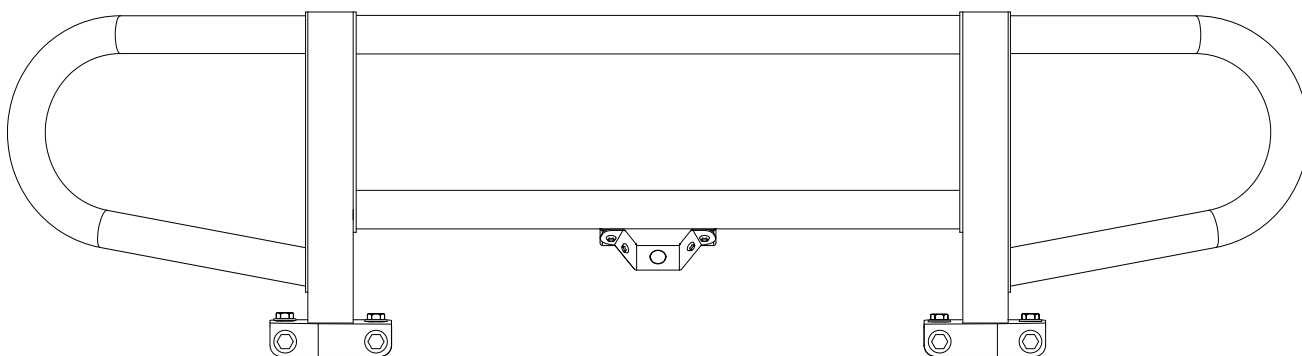
Step 3: Install the Bull Bar.



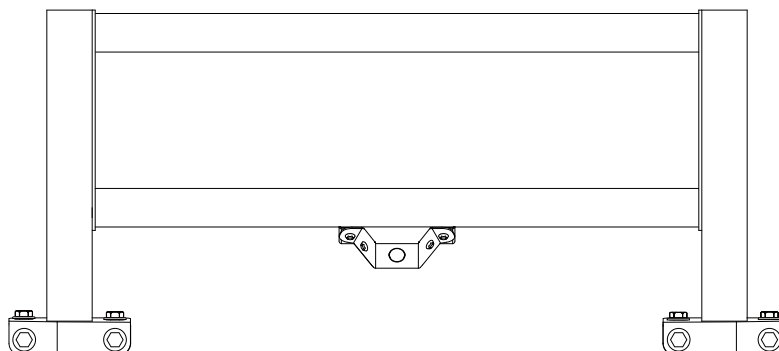
The Bull Bar is installed.

Enjoy our unique 2 in 1 bull bar design in which can be adjusted into 2 styles in according to your personal preference.

Style 1



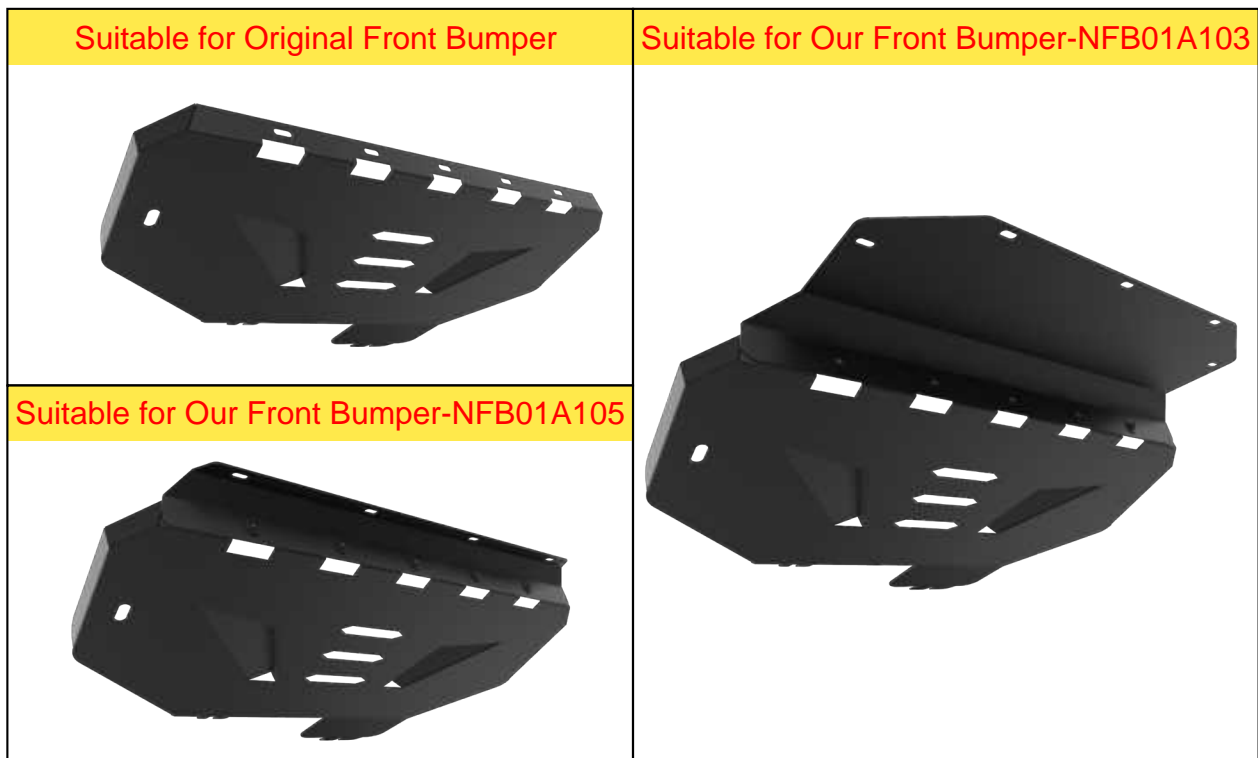
Style 2



FRONT BUMPER SKID PLATE

————— User Manual —————

2021-2023 Ford Bronco(not Bronco Sport)



Model:	NFB01A103-4
Material:	Q235A
Product Dimensions:	/
Package Dimensions:	34.6 x 3.3 x 24.4 inch
Product Weight:	24.47 lbs

※ Thank you for purchasing the FRONT BUMPER SKID PLATE. Please read this manual carefully and keep it properly if you need to refer to it afterward. If you need any support or assistance, please contact us with your product model number and order number, and our support team will help you solve problems.

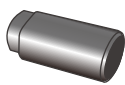

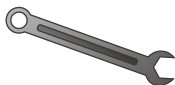

⚠ WARNING

※ This product is designed primarily to enhance the appearance of the vehicle. Do not rely in any way on the components of this product to protect against injury or death in the event of an accident. To reduce the risk of serious injury or property damage, please read all safety messages and understand all instructions and procedure notices before attempting to install or use this product.

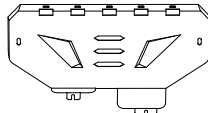
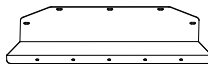
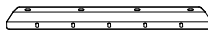
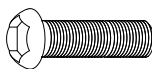

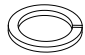

⚠ CAUTION

※ Properly torque and recheck fasteners and security of step tread after 250 miles and inspect frequently. Do not use if damaged.

REQUIRED TOOLS

Socket 	Ratchet 	Wrench 	Safety Glasses 
---	--	--	---

Parts Information

	NO.	Parts Name	Size	Line Graph	Qty	Color
①	/	Front Bumper Skid Plate	/		1	Black
②	/	Connector 1	/		1	Black
③	/	Connector 2	/		1	Black
④	B19	Half Head Allen Bolts	M8x25		11	Dacro Black
⑤	W19	Flat Washers	Φ8x24x2		16	Dacro Black
⑥	W16	Spring Washers	Φ8x24x2		11	Dacro Black
⑦	N22	Hex Nuts	M8		6	Dacro Black

※ Note: spare parts such as B19、W19、W16 and N22 are provided with 1PCS each (included in the number of parts details).

Installation Instructions

Step 1: Park your vehicle on a clean flat surface, engage the parking brake and block the rear tires.

Step 2: Save all hardware removed from the vehicle unless otherwise noted.

Step 3: Open the hood and disconnect the negative terminal on the battery.

Step 4: Remove the factory skid plate by loosening the rearmost bolts and completely removing the forward most bolts using a 15mm socket. Once removed, do not remove or tighten rearmost bolts back down and take care the vehicle bolts.

NOTE: There are TWO different remove on the factory bumper on the Bronco. One for the plastic bumper (Picture 1) and one for the steel bumper (Picture 2).

Picture 1: Plastic Bumper



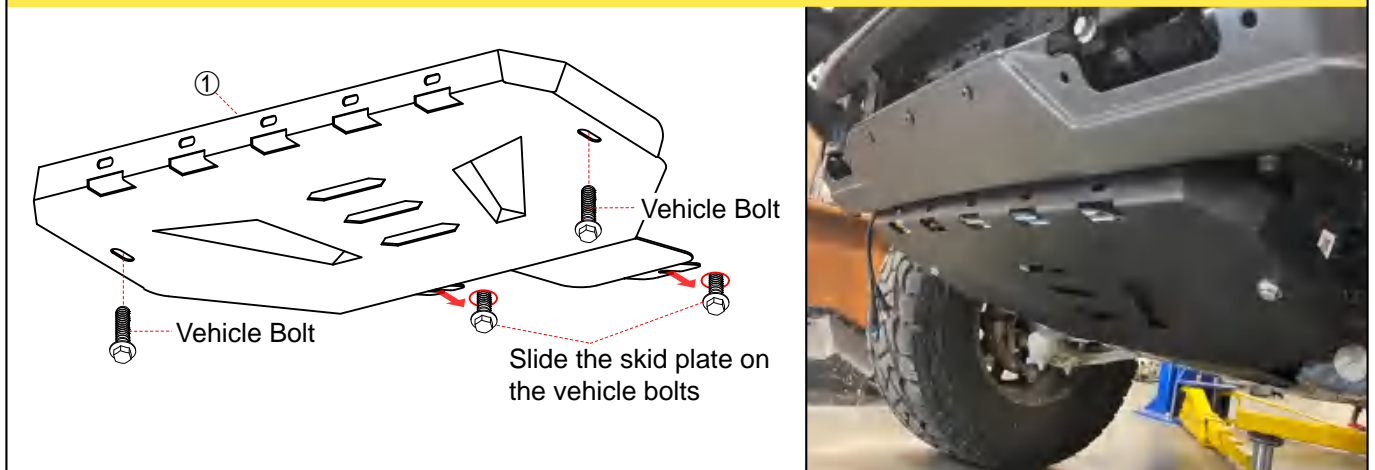
Picture 2: Steel Bumper



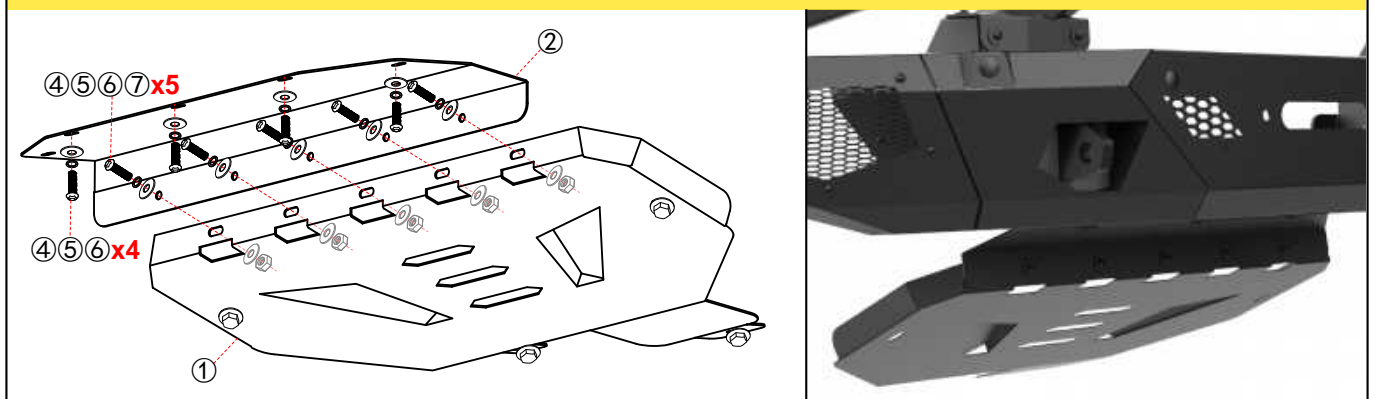
Step 5: Install the Skid Plate.

NOTE: There are THREE different installations on our Skid Plate. One of the factory front bumper (Picture 3) and one of our front bumper model for NFB01A103 (Picture 4) & NFB01A105 (Picture 5).

Picture 3: Factory Front Bumper.



Picture 4: Our front bumper model for NFB01A103.



Picture 5: Our front bumper model for NFB01A105.

