

# FRONT BUMPER

————— User Manual —————

2019-2021 Chevrolet Silverado 1500



|                     |                       |
|---------------------|-----------------------|
| Model:              | NSL01A103-1A          |
| Material:           | Q235A                 |
| Product Dimensions: | 61.7 x 13.8 x 9 inch  |
| Package Dimensions: | 65.7 x 17 x 11.4 inch |
| Product Weight:     | 47.3 lbs              |

---

※ Thank you for purchasing the FRONT BUMPER. Please read this manual carefully and keep it properly if you need to refer to it afterward. If you need any support or assistance, please contact us with your product model number and order number, and our support team will help you solve problems.



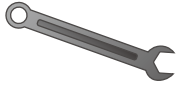


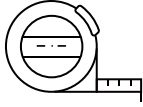

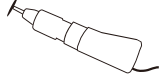
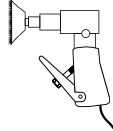

**⚠ WARNING**

※ This product is designed primarily to enhance the appearance of the vehicle. Do not rely in any way on the components of this product to protect against injury or death in the event of an accident. To reduce the risk of serious injury or property damage, please read all safety messages and understand all instructions and procedure notices before attempting to install or use this product.

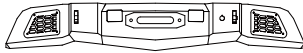
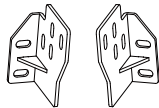
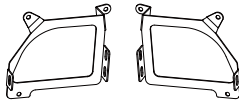
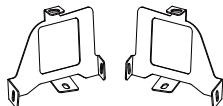

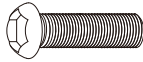
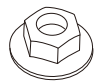

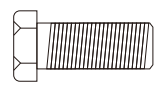
**⚠ CAUTION**


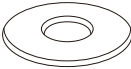

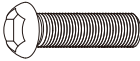

※ Properly torque and recheck fasteners and security of step tread after 250 miles and inspect frequently. Do not use if damaged.

# REQUIRED TOOLS

|  |   |  |   |  |
|--|---|--|---|--|
| <b>Socket</b><br>       | <b>Ratchet</b><br> | <b>Wrench</b><br>             | <b>Allen Wrench</b><br>   | <b>Panel Remover</b><br>  |
| <b>Tape Measure</b><br> | <b>Marker</b><br>  | <b>Power Cutting Tool</b><br> | <b>Angle Grinder</b><br> | <b>Safety Glasses</b><br> |

## Parts Information

| NO. |     | Parts Name               | Size    | Line Graph   | Qty | Color             |
|-----|-----|--------------------------|---------|--|-----|-------------------|
| ①   | /   | front Bumper             | /       |  | 1   | Black             |
| ②   | /   | Brackets L/R             | /       |  | 1   | Black             |
| ③   | /   | Fog Light Brackets       | /       |  | 1   | Black             |
| ④   | /   | 4 Inch Ledlight Brackets | /       |  | 1   | Black             |
| ⑤   | /   | Shackles                 | /       |  | 2   | Black             |
| ⑥   | B06 | Half Head Allen Bolts    | M6x15   |  | 7   | Dacro Black       |
| ⑦   | N09 | Hex Flange Nuts          | M6      |  | 7   | Dacro Black       |
| ⑧   | B78 | Hex Bolts                | M10x120 |  | 9   | Blue Zinc Plating |
| ⑨   | B32 | Hex Bolts                | M10x30  |  | 5   | Dacro Black       |

| NO. |     | Parts Name            | Size     | Line Graph   | Qty | Color       |
|-----|-----|-----------------------|----------|--|-----|-------------|
| ⑩   | W22 | Spring Washer         | Φ10      |  | 13  | Dacro Black |
| ⑪   | W23 | Flat Washer           | Φ10x25x2 |  | 25  | Dacro Black |
| ⑫   | N15 | Hex Nuts              | M10      |  | 13  | Dacro Black |
| ⑬   | B12 | Half Head Allen Bolts | M8x16    |  | 7   | Dacro Black |
| ⑭   | N14 | Hex Flange Nuts       | M8       |  | 7   | Dacro Black |

**NOTE:**

Spare parts such as B06、 N09、 B78、 B32、 W22、 W23、 N15、 B12、 and N14 are provided with 1PCS each (included in the number of parts details).

# Installation Instructions

- Step 1:** Open the carton and take out the parts. Check whether the number of components is complete.
- Step 2:** Pop the hood. Then, use a T-15 Torx Socket to remove the two hood latch handle mounting bolts. Remove the outer portion of the hood latch handle. **(Figure 1)**
- Step 3:** Remove the plastic clips (x10) that hold on the radiator cover. **(Figure 2)**



- Step 4:** Remove the radiator cover from the vehicle. **(Figure 3)**
- Step 5:** Use a 10mm Socket to remove the four grille mounting bolts. **(Figure 4)**

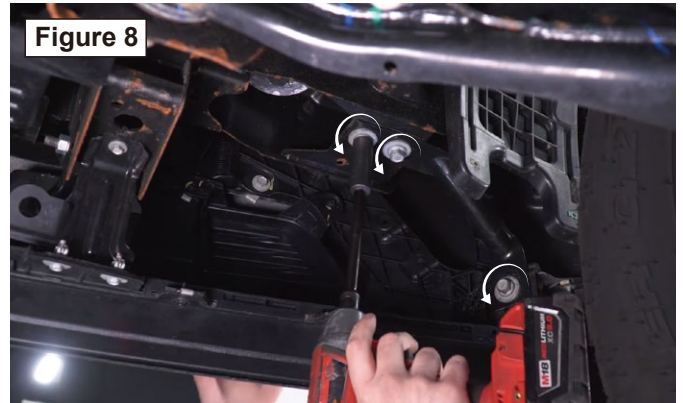


- Step 6:** Use a plastic tool to gently pry open the clips on the back of the grille. Then, remove the grille from the vehicle. **(Figure 5-6)**



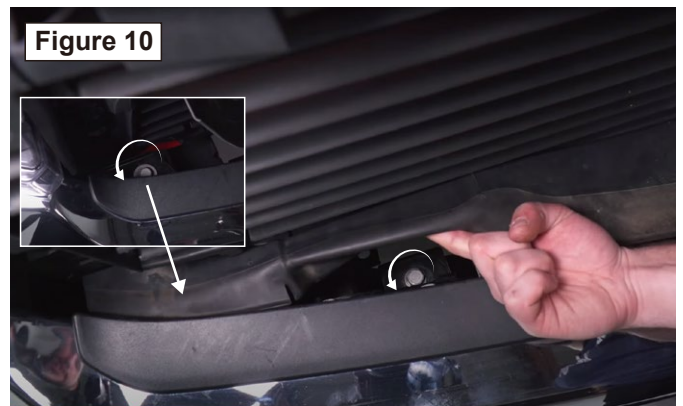
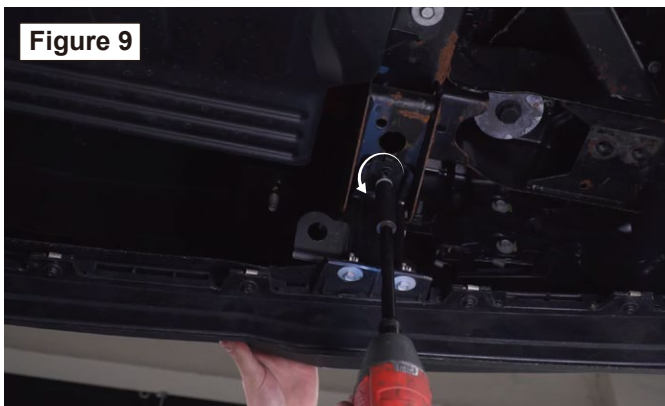
**Step 7:** Using a T-15 Torx Bit, remove the five (per side) front lower inner fender well bolts. **(Figure 7)**

**Step 8:** Using a 15mm Socket, remove the bumper support bar mounting bolts (3 per side). Then, remove these bumper support bars from the vehicle. **(Figure 8)**

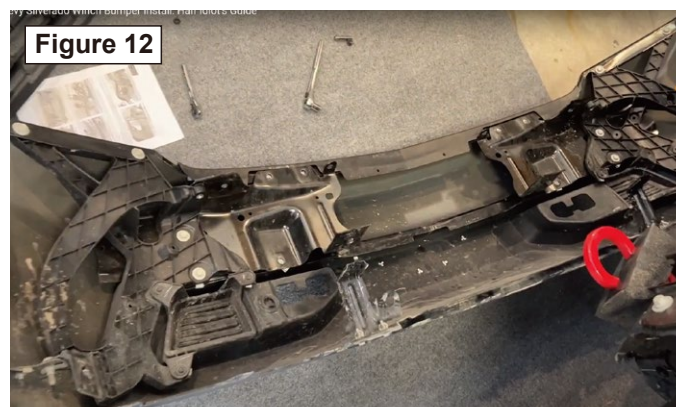


**Step 9:** Using a 10mm socket, remove one bolt (per side) that connects the auxiliary bracket to the frame on the OEM bumper. **(Figure 9)**

**Step 10:** Peel back the rubber piece directly under where the grille was mounted. Use a 13mm and an 18mm Socket to remove the two upward facing bolts (per side). **(Figure 10)**

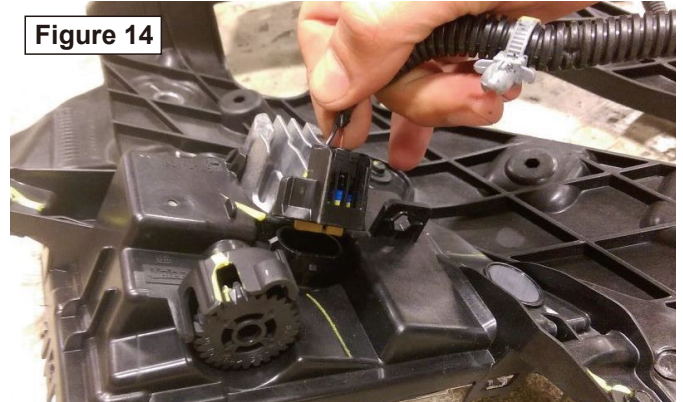


**Step 11:** Remove the OEM bumper from the vehicle. **(Figure 11-12)**



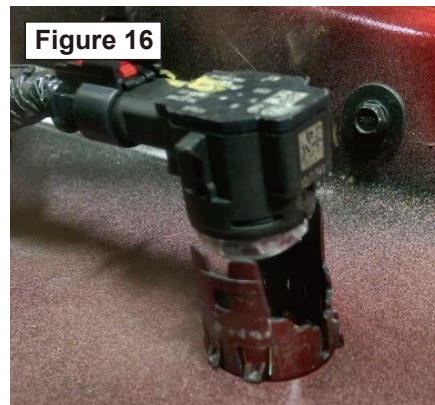
**Step 12:** Disconnect the electrical connector on the passenger side of the bumper by pulling on the red tab and depressing the locking clip. **(Figure 11)**

**Step 13:** Disconnect the electrical harness from the fog lights in the bumper. **(Figure 14)**

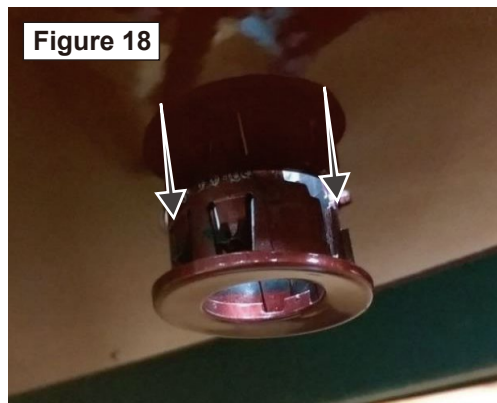
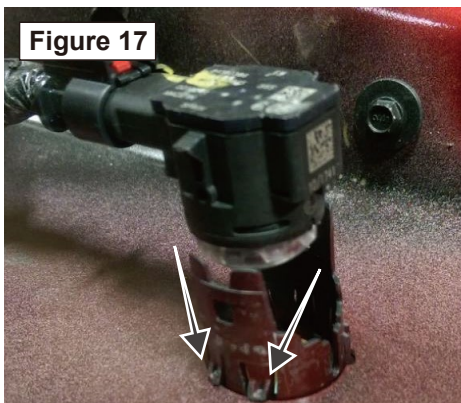


**Step 14:** Remove the sensor from the sensor housing by expanding both sides of the sensor housing and lifting up. **(Figure 15-16)**

**NOTE:** Sensors are extremely delicate and must be handled with care!  
Do not push on face of sensors to remove!

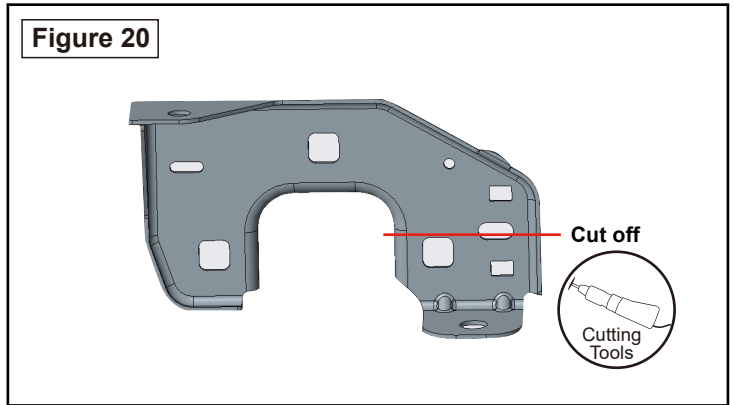


**Step 15:** Remove the sensor housing from the bumper by depressing the four (4) tabs while pulling outward from the outside of the bumper. **(Figure 17-18)**

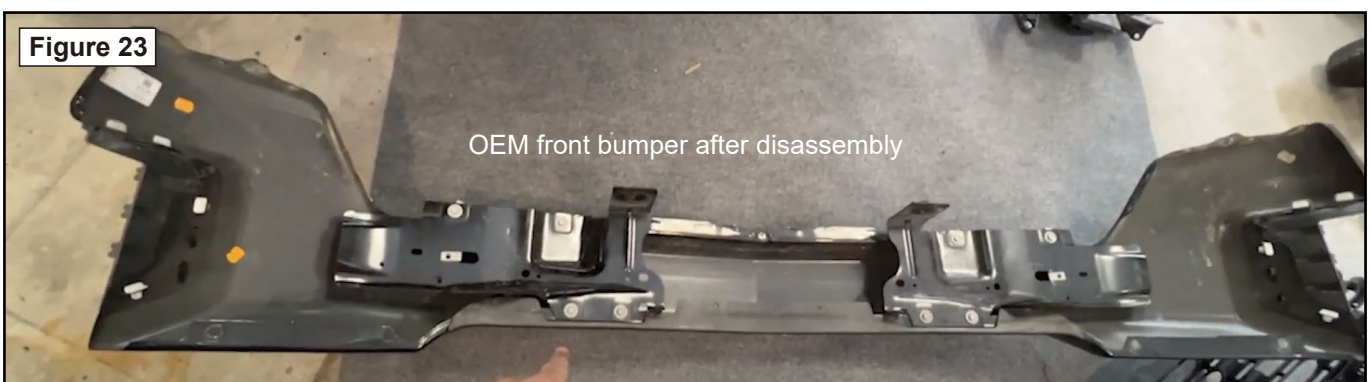
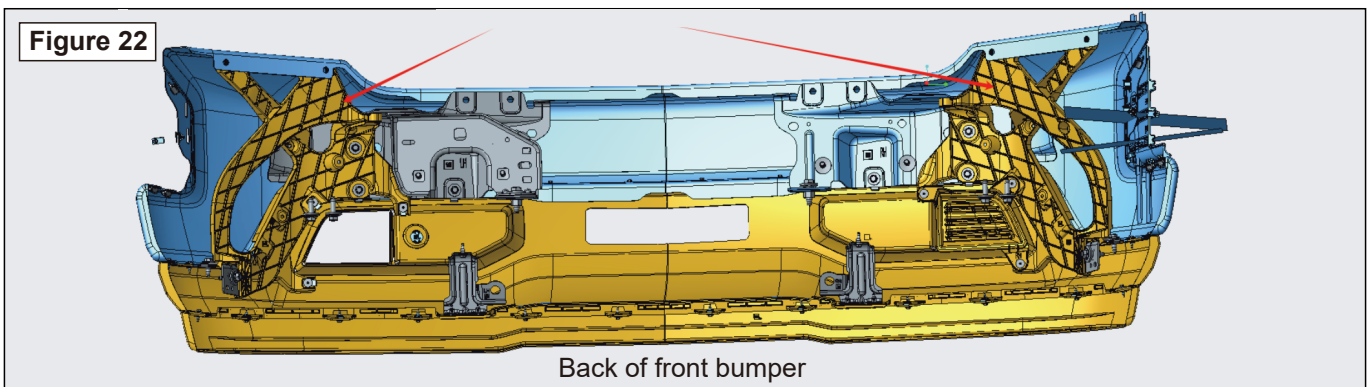
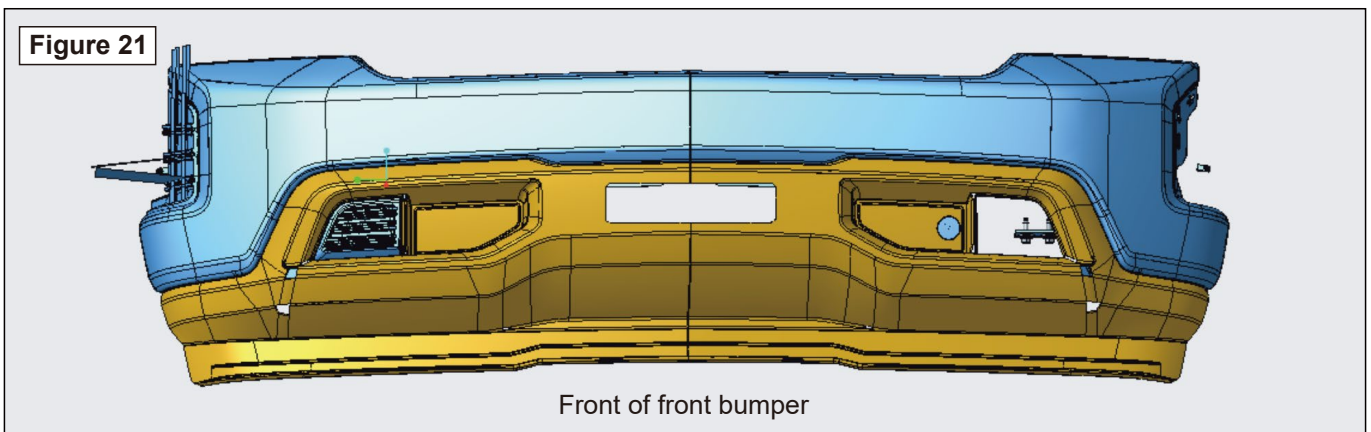


**Step 16:** Using a 15mm Socket, remove the bumper brackets from the truck's frame horns. **(Figure 19)**

**Step 17:** Cut the bumper brackets along the red marker line. **(Figure 20)**



**Step 18:** Loosen all the bolts holding the yellow parts on the front bumper as shown below, then remove the yellow part of the marker. **(Figure 21-23)**



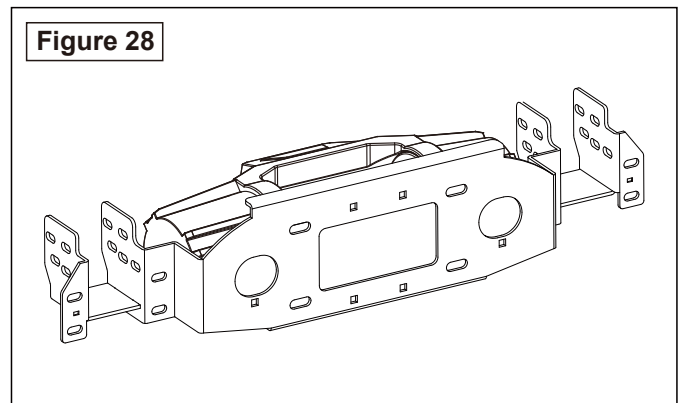
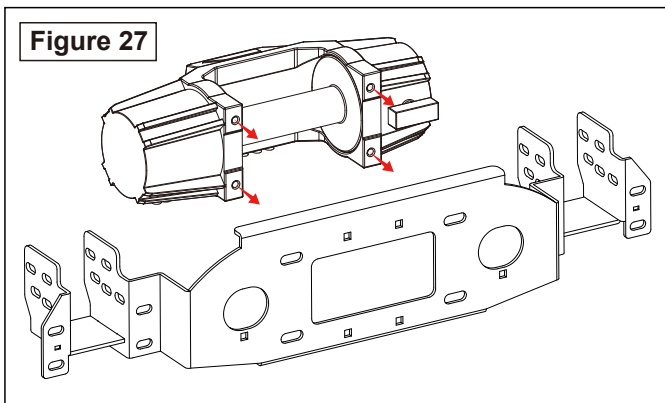
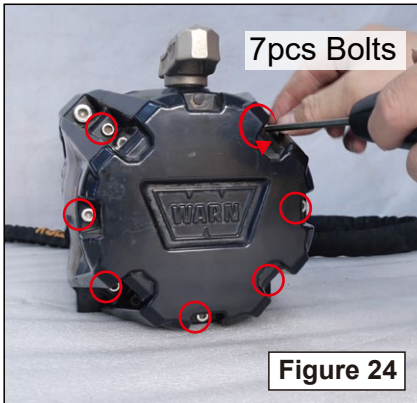


**NOTE:**

- ※ If you purchased our winch bracket, you will need to install our winch bracket first.
- ※ If you have not purchased our winch plate, skip steps 15-16.

**Step 19:**

Remove seven four millimeter allen screws out, and clock the winch 90 degrees so that the handle is facing out the front of the vehicle and it's way easier to engage and disengage the clutch. Then, Mount the winch to the winch bracket with the four OEM bolts. **(Figure 24- 22)**



**Step 20:** Install the winch bracket on the vehicle according to the instructions that came with the winch plate. **(note that a license plate holder is not required)**

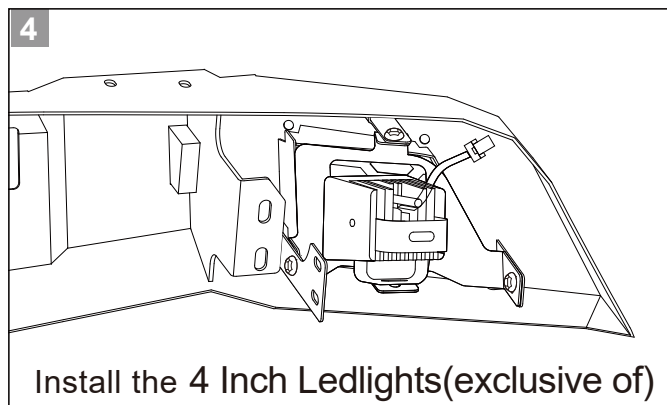
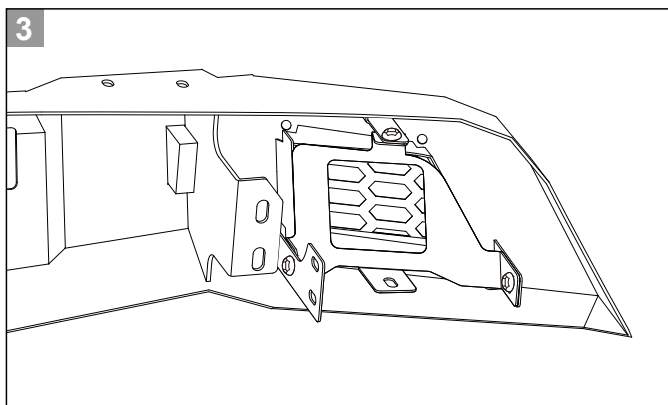
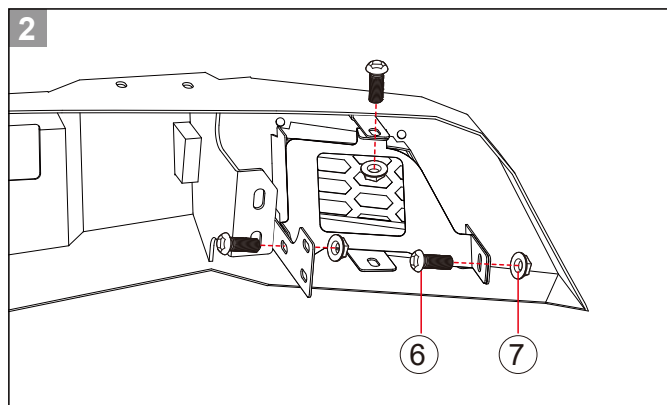
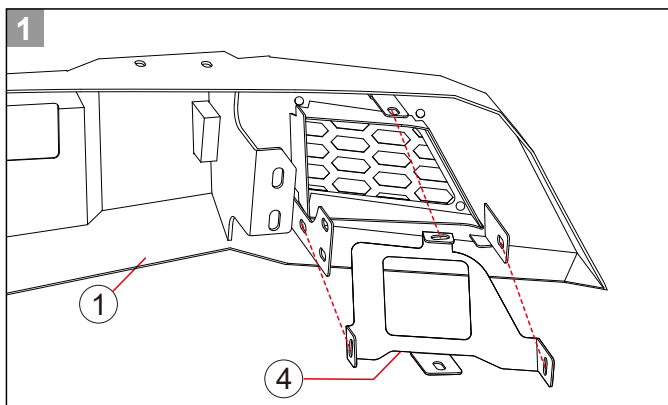
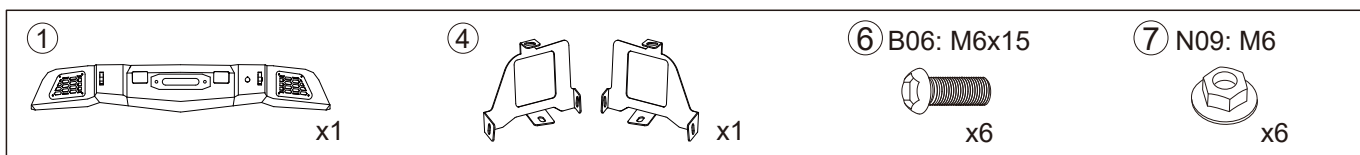


**Step 21:** Reinstall the front bumper bracket and the disassembled bumper, then tighten all retaining bolts. **(Figure 29)**

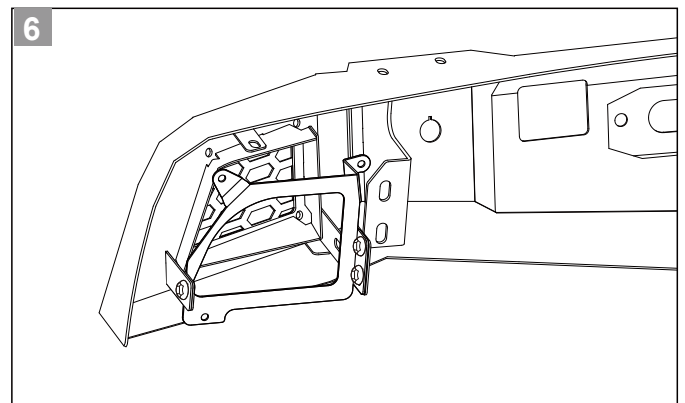
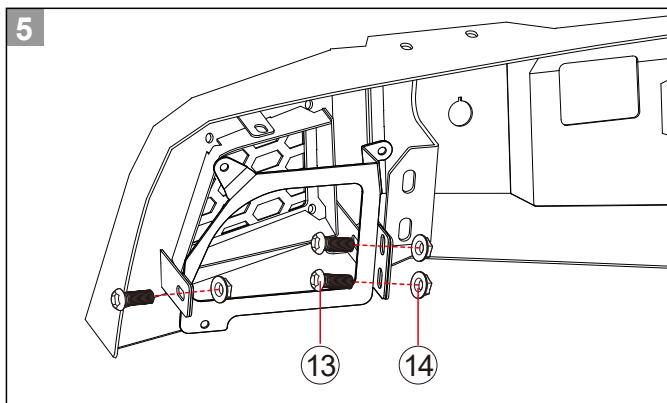
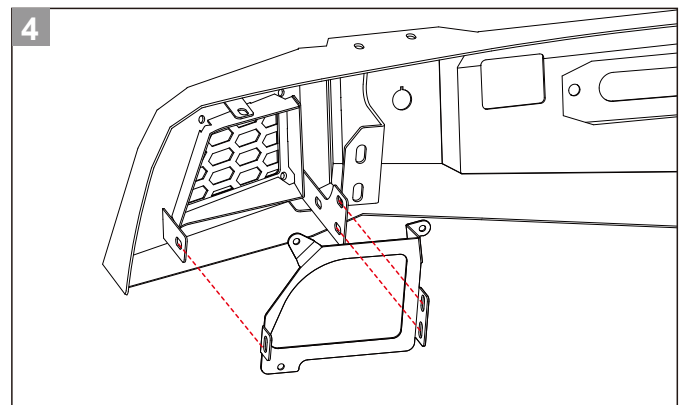
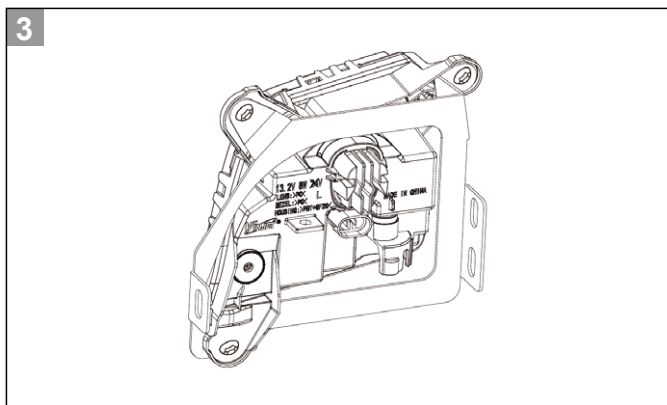
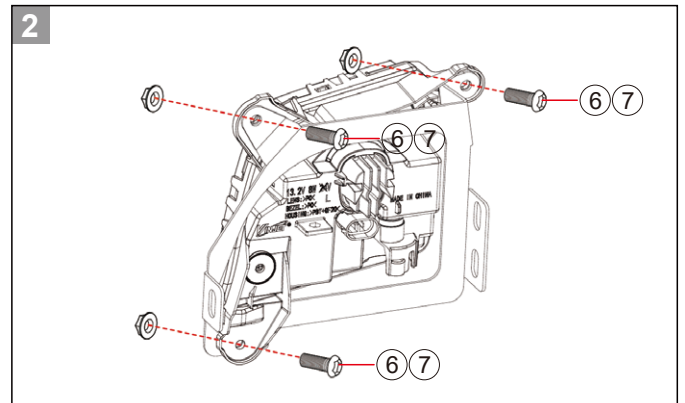
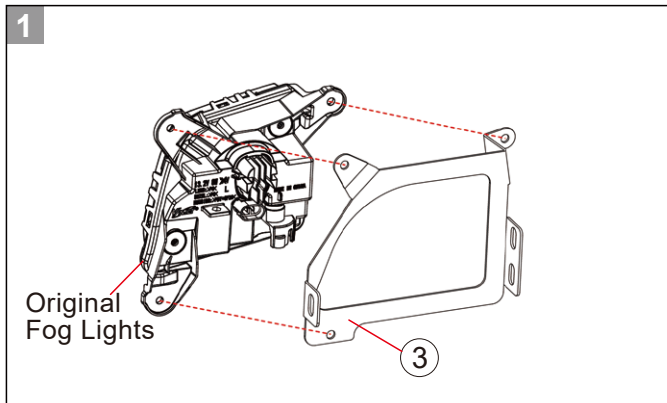
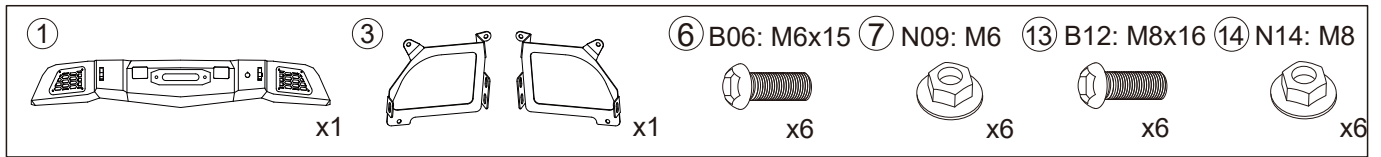


**Step 22:** Installation of factory fog lights or 4 Inch Ledlights.

**NOTE:** If you want to install the 4 Inch Ledlights, you'll need to install the 4 Inch Ledlights brackets first.



**NOTE:** If you want to install the factory fog lights, you'll need to install the fog light brackets first.

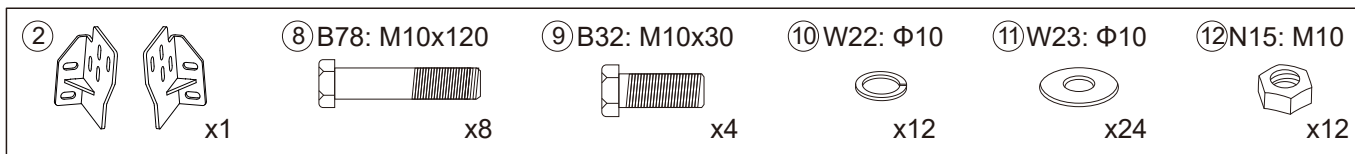


**Step 23:** Install the Auxiliary Heater Wiring Harness into your new bumper. (Figure 27-28)

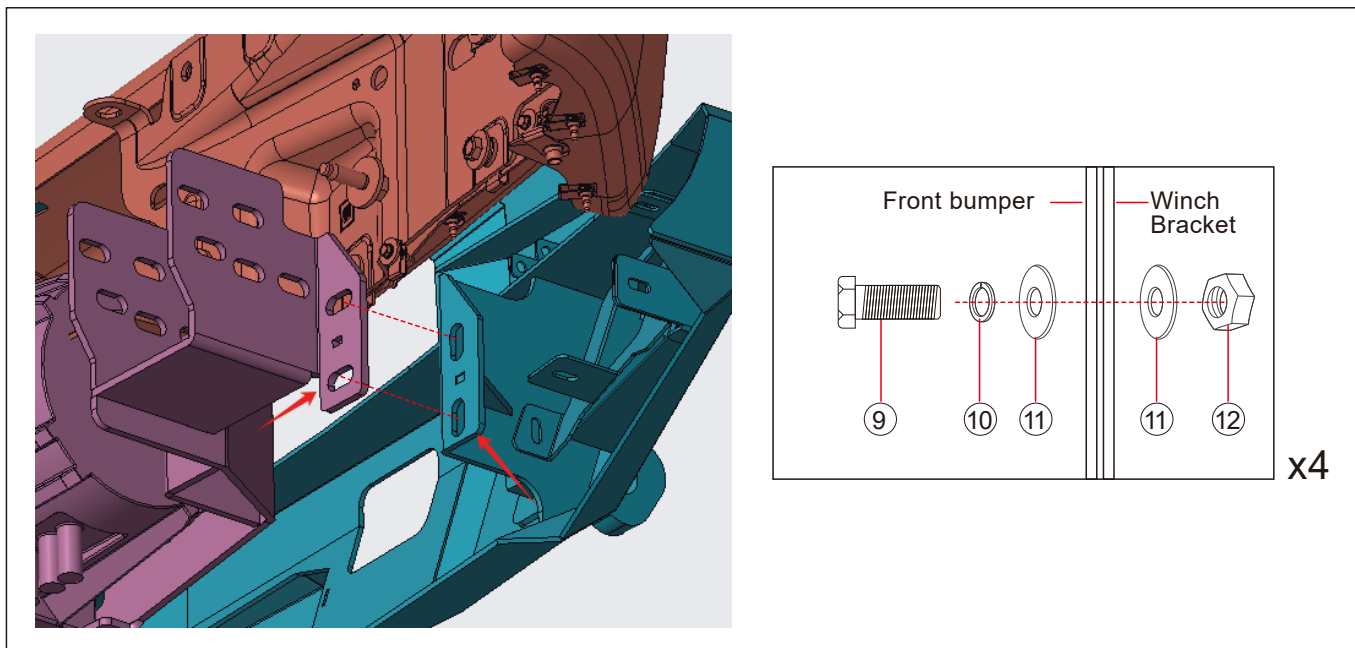
※Note: If your car does not have Auxiliary Heater Wiring Harness, this step can be ignored.



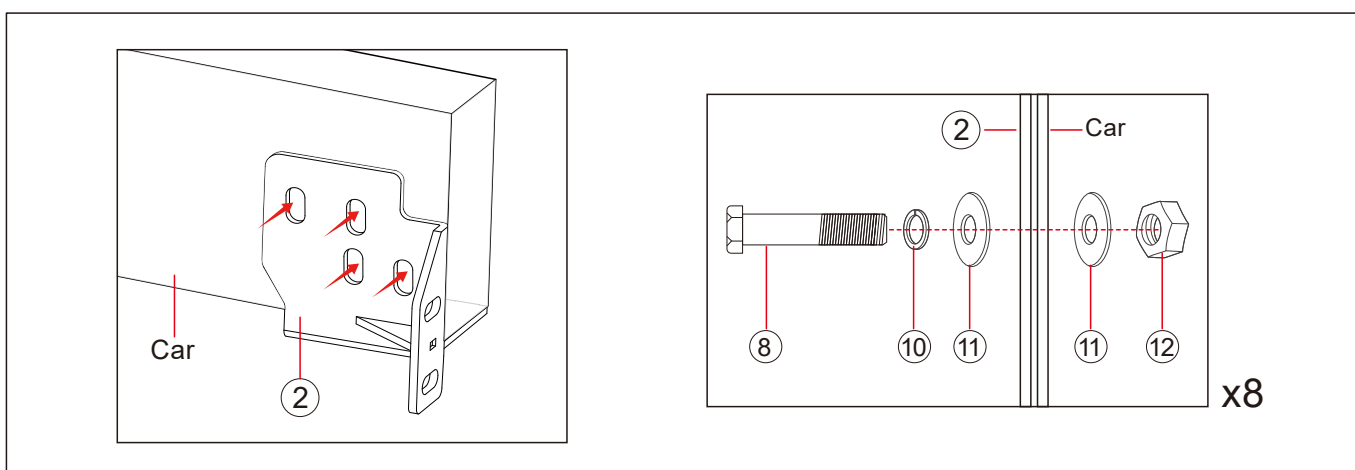
**Step 24: Install the front bumper.**

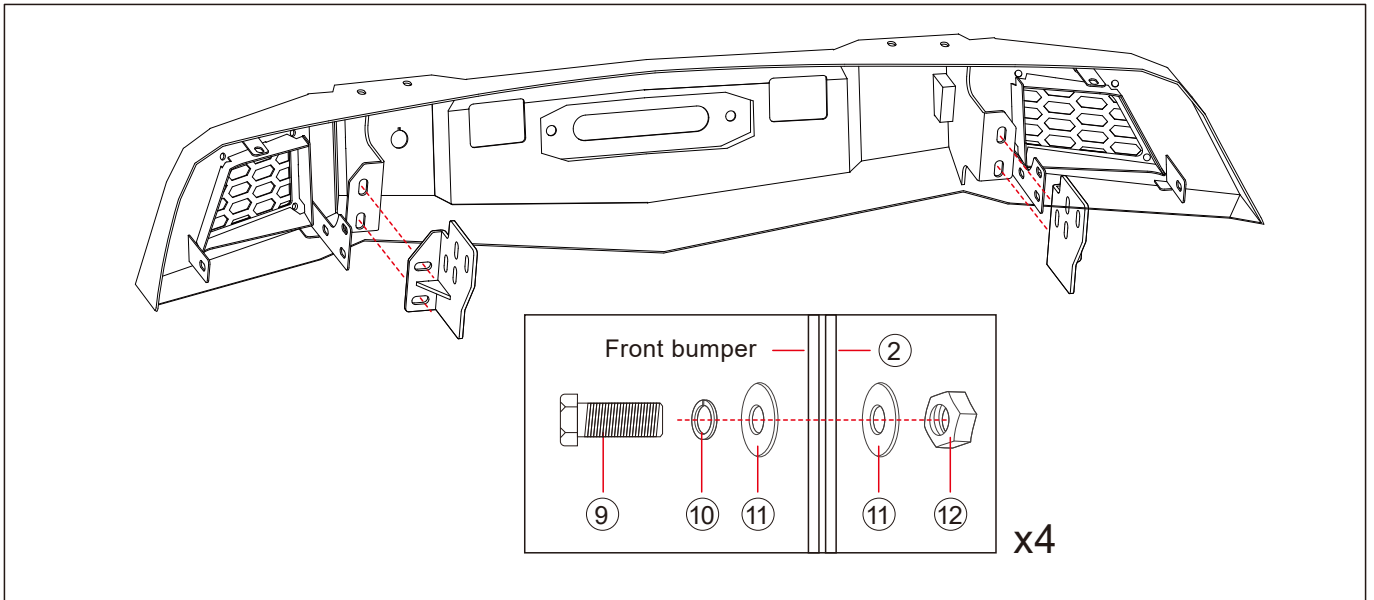


✘ If you have our winch bracket installed, all you need to do is fasten the front bumper to the winch bracket.



✘ If you don't have our winch bracket installed, you will need to install the accessory bracket first, then install the front bumper.





**Step 25:** Install the Shackles.



# FRONT BUMPER

## Bull Bar

————— User Manual —————

2019-2021 Chevrolet Silverado 1500



|                     |                     |
|---------------------|---------------------|
| Model:              | NSL01A103-3A        |
| Material:           | Q235A               |
| Product Dimensions: | 48 x 7.3 x 9.7 inch |
| Package Dimensions: | 53 x 13 x 10 inch   |
| Product Weight:     | 25.5 lbs            |

---

※ Thank you for purchasing the FRONT BUMPER Bull Bar. Please read this manual carefully and keep it properly if you need to refer to it afterward. If you need any support or assistance, please contact us with your product model number and order number, and our support team will help you solve problems.

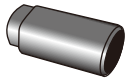

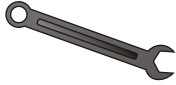


**⚠ WARNING**

※ This product is designed primarily to enhance the appearance of the vehicle. Do not rely in any way on the components of this product to protect against injury or death in the event of an accident. To reduce the risk of serious injury or property damage, please read all safety messages and understand all instructions and procedure notices before attempting to install or use this product.

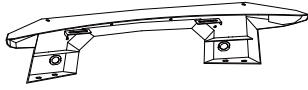
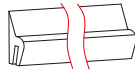
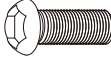


**⚠ CAUTION**

※ Properly torque and recheck fasteners and security of step tread after 250 miles and inspect frequently. Do not use if damaged.

# REQUIRED TOOLS

|   |  |   |  |   |
|---|--|---|--|---|
| Socket<br> | Ratchet<br> | Wrench<br> | Allen Wrench<br> | Safety Glasses<br> |
|---|--|---|--|---|

## Parts Information

| NO. |     | Parts Name            | Size  | Line Graph   | Qty | Color       |
|-----|-----|-----------------------|-------|--|-----|-------------|
| ①   | /   | Bull Bar              | /     |    | 1   | Black       |
| ②   | /   | H-Rubber Strip        | /     |    | 1   | Black       |
| ③   | B71 | Half Head Allen Bolts | M8x35 |   | 5   | Dacro Black |
| ④   | W16 | Spring Washer         | Φ8    |  | 5   | Dacro Black |
| ⑤   | N22 | Hex Nuts              | M8    |  | 5   | Dacro Black |

**NOTE:**

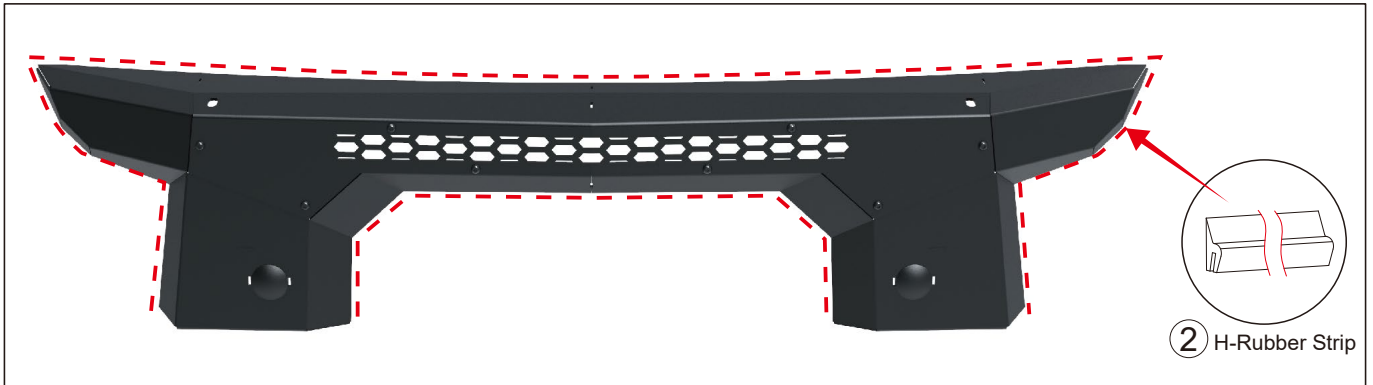
Spare parts such as B71、 W16、 N22 are provided with 1PCS each (included in the number of parts details).



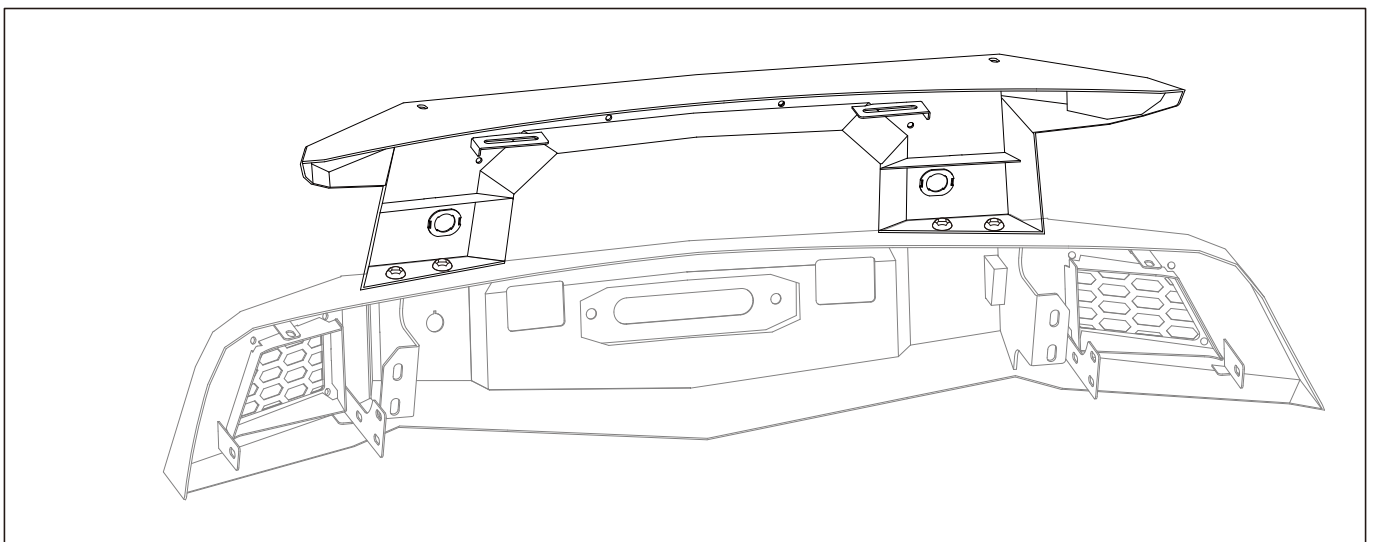
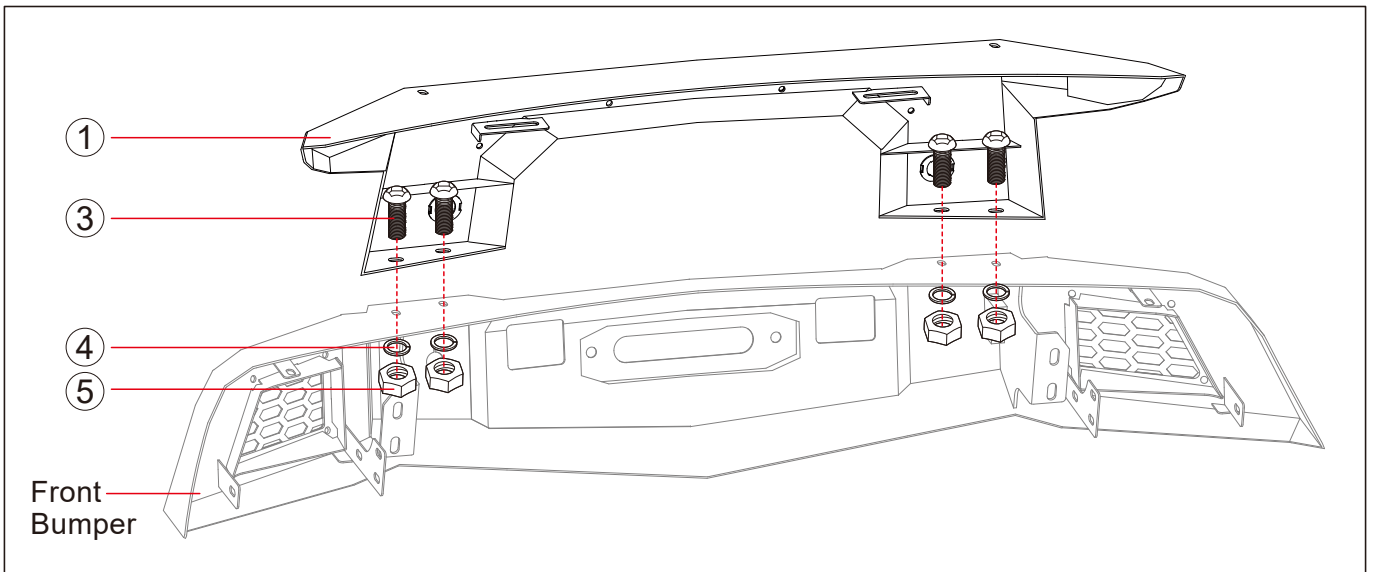
# Installation Instructions

**Step 1:** Open the carton and take out the parts. Check whether the number of components is complete.

**Step 2:** Install the H-Rubber Strip.

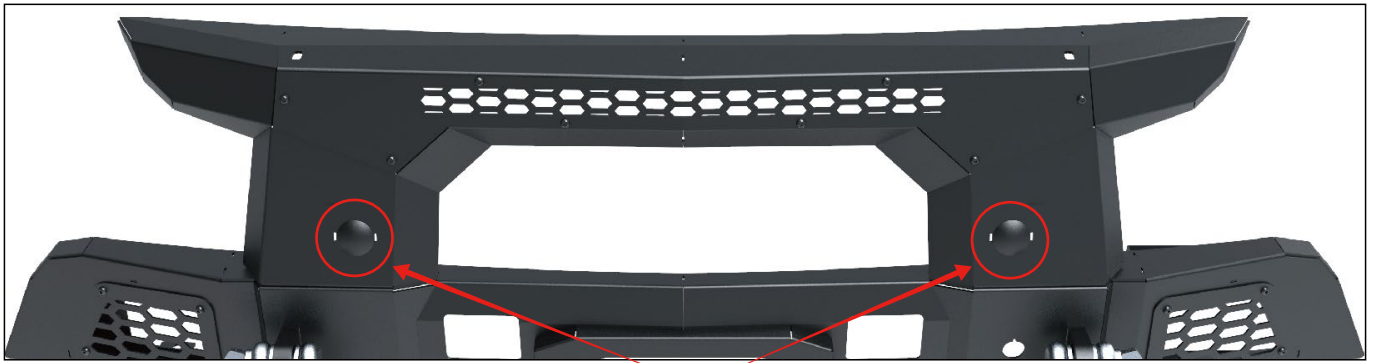


**Step 3:** Install the Bull Bar.



**Step 4:** Install the parking sensor mounting rings into your new bumper.

※**Note:** If your car does not have sensor, this step can be ignored.

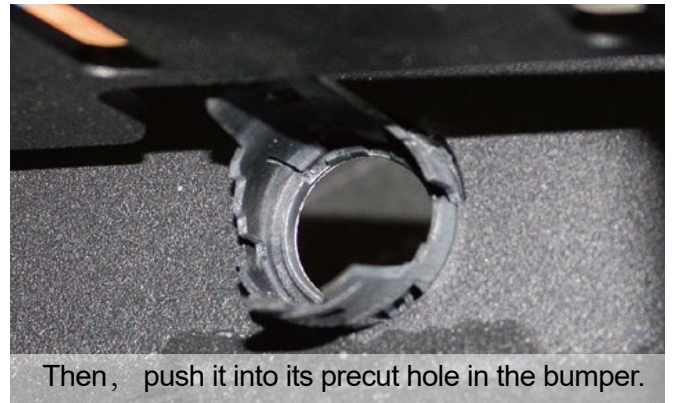


Remove the rubber stoppers.

Be sure to install them in the same position/orientation as they came off the OEM bumper. If the rings do not click into place, you may have to file the tabs down a little to allow for the thicker material of your new bumper.



You may have to file these surfaces back a little.



Then, push it into its precut hole in the bumper.



The Bull Bar is assembled