

FRONT BUMPER

Mid Bumper

————— User Manual —————

2019-2021 Chevrolet Silverado 1500



Model:	NSL01A101-1A
Material:	Q235A
Product Dimensions:	45*12.7*14.9 inch
Package Dimensions:	48.4 x 17.7 x 10.6 inch
Product Weight:	73.4 lbs

※ Thank you for purchasing the Mid Bumper. Please read this manual carefully and keep it properly if you need to refer to it afterward. If you need any support or assistance, please contact us with your product model number and order number, and our support team will help you solve problems.


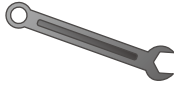


⚠ WARNING

※ This product is designed primarily to enhance the appearance of the vehicle. Do not rely in any way on the components of this product to protect against injury or death in the event of an accident. To reduce the risk of serious injury or property damage, please read all safety messages and understand all instructions and procedure notices before attempting to install or use this product.

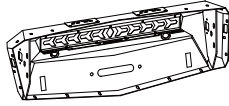
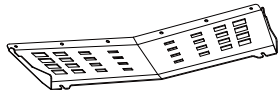

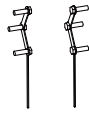
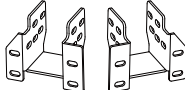
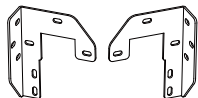
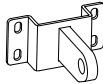
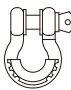
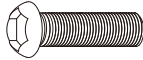
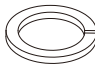

⚠ CAUTION

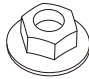

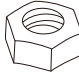
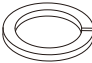



※ Properly torque and recheck fasteners and security of step tread after 250 miles and inspect frequently. Do not use if damaged.

REQUIRED TOOLS

Socket 	Ratchet 	Wrench 	Allen Wrench 	Safety Glasses 
---	--	---	--	---

Parts Information

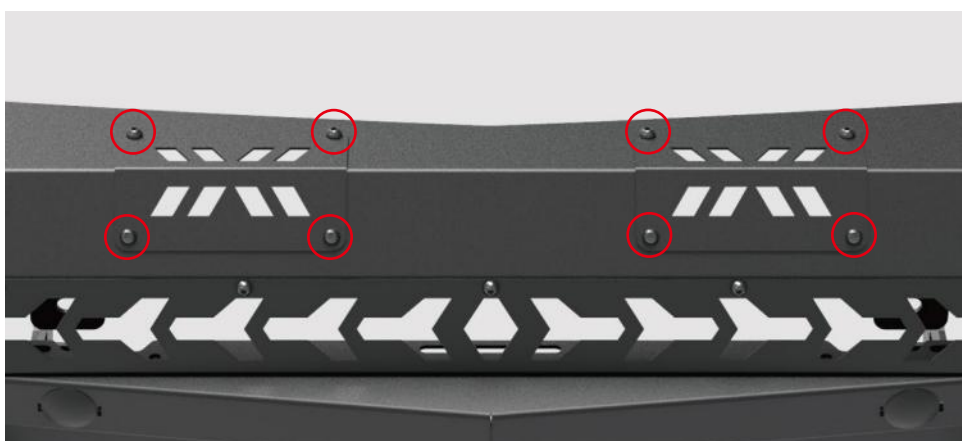
NO.	Parts Name	Size	Line Graph	Qty	Color
①	Mid Bumper	/		1	Black
②	Skid Plate	/		1	Black
③	Skid Plate Brackets	/		2	Black
④	Bolt plate L/R	/		1	Black
⑤	Brackets 1 L/R	/		1	Black
⑥	Brackets 2 L/R	/		1	Black
⑦	Trailer Hitch	/		2	Black
⑧	Shackles	/		2	Black
⑨	Half Head Allen Bolts	M8x20		17	Dacro Black
⑩	Spring Washer	Φ8		17	Dacro Black
⑪	Flat Washer	Φ8x24x2		17	Dacro Black

NO.		Parts Name	Size	Line Graph	Qty	Color
⑫	N14	Hex Flange Nuts	M8		10	Dacro Black
⑬	B06	Half Head Allen Bolts	M6x15		9	Dacro Black
⑭	N26	Hex Nuts	M10		25	Blue Zinc Plating
⑮	W32	Spring Washer	Φ10		25	Blue Zinc Plating
⑯	W33	Flat Washer	Φ10x25x2		43	Blue Zinc Plating
⑰	B44	Hex Bolts	M10x30		9	Blue Zinc Plating
⑱	B78	Hex Bolts	M10x120		11	Blue Zinc Plating

NOTE:

Spare parts such as B15、 W16、 W19、 N26、 W32、 W33、 B44、 and B78 are provided with 1PCS each (included in the number of parts details).

※ You can use B06 Half Head Allen Bolts if the bolts on the bumper trim panel come off accidentally. (Please keep your 06 bolts in a safe place)



Installation Instructions

- Step 1:** Open the carton and take out the parts. Check whether the number of components is complete.
- Step 2:** Pop the hood. Then, use a T-15 Torx Socket to remove the two hood latch handle mounting bolts. Remove the outer portion of the hood latch handle. **(Figure 1)**
- Step 3:** Remove the plastic clips (x10) that hold on the radiator cover. **(Figure 2)**



- Step 4:** Remove the radiator cover from the vehicle. **(Figure 3)**
- Step 5:** Use a 10mm Socket to remove the four grille mounting bolts. **(Figure 4)**

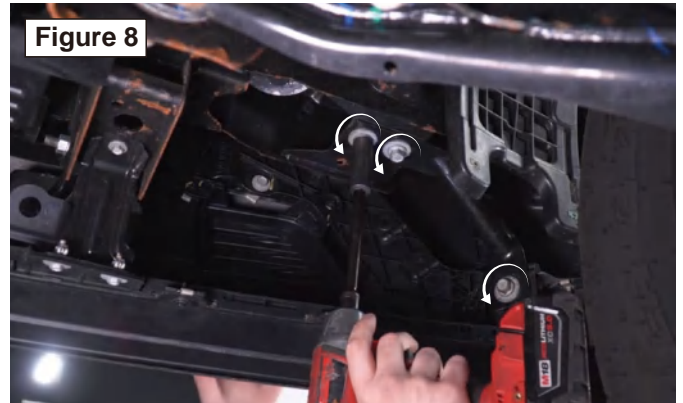


- Step 6:** Use a plastic tool to gently pry open the clips on the back of the grille. Then, remove the grille from the vehicle. **(Figure 5-6)**



Step 7: Using a T-15 Torx Bit, remove the five (per side) front lower inner fender well bolts. **(Figure 7)**

Step 8: Using a 15mm Socket, remove the bumper support bar mounting bolts (3 per side). Then, remove these bumper support bars from the vehicle. **(Figure 8)**



Step 9: Using a 10mm socket, remove one bolt (per side) that connects the auxiliary bracket to the frame on the OEM bumper. **(Figure 9)**

Step 10: Peel back the rubber piece directly under where the grille was mounted. Use a 13mm and an 18mm Socket to remove the two upward facing bolts (per side). **(Figure 10)**



Step 11: Disconnect the electrical connector on the passenger side of the bumper by pulling on the red tab and depressing the locking clip. **(Figure 11)**

Step 12: Remove the OEM bumper from the vehicle. **(Figure 12)**



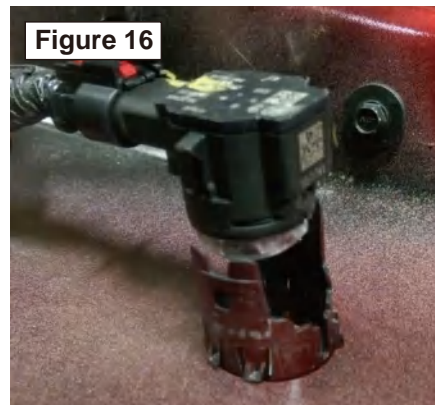
Step 13: Using a 15mm Socket, remove the bumper brackets from the truck's frame horns. **(Figure 13)**

Step 14: Disconnect the electrical harness from the fog lights in the bumper. **(Figure 14)**

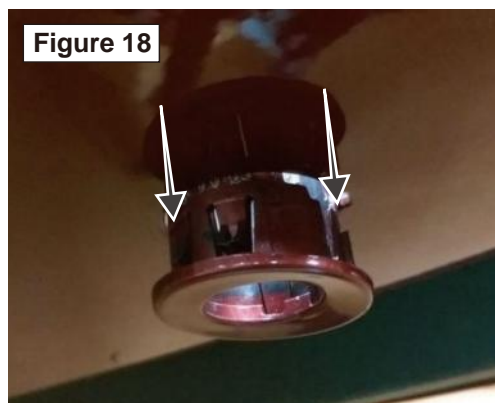
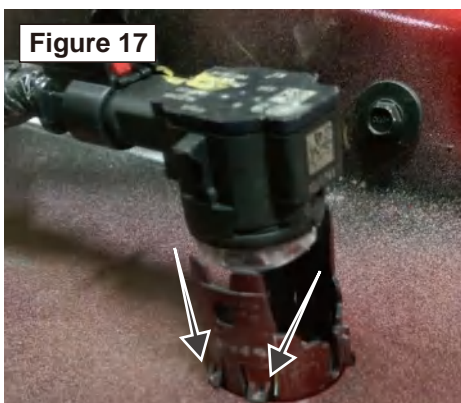


Step 15: Remove the sensor from the sensor housing by expanding both sides of the sensor housing and lifting up. **(Figure 15-16)**

NOTE: Sensors are extremely delicate and must be handled with care!
Do not push on face of sensors to remove!



Step 16: Remove the sensor housing from the bumper by depressing the four (4) tabs while pulling outward from the outside of the bumper. **(Figure 17-18)**

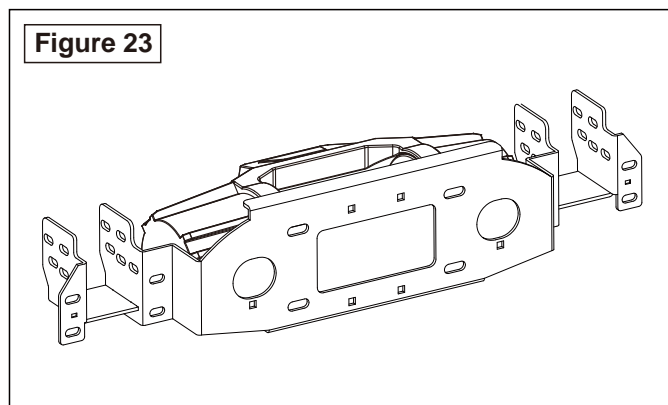
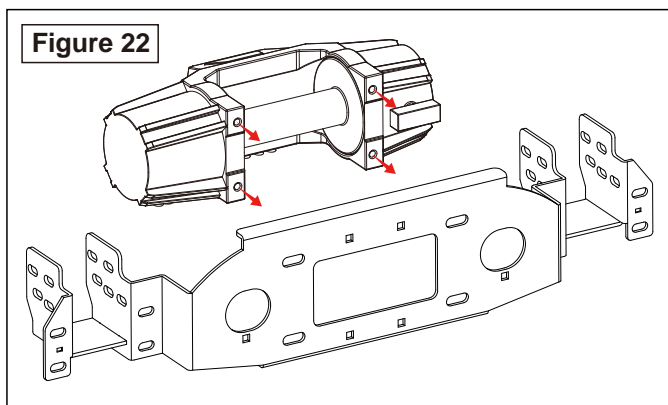
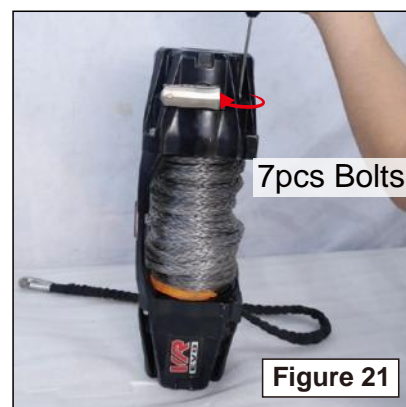
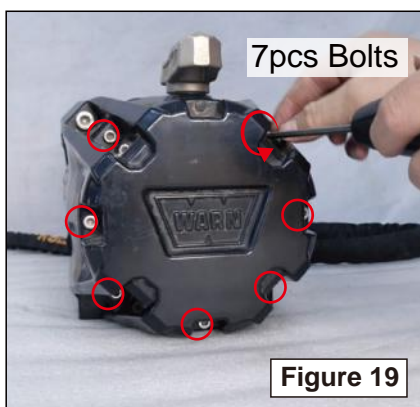


NOTE:

- ※ If you purchased our winch bracket, you will need to install our winch bracket first.
- ※ If you have not purchased our winch plate, skip steps 15-16.

Step 17:

Remove seven four millimeter allen screws out, and clock the winch 90 degrees so that the handle is facing out the front of the vehicle and it's way easier to engage and disengage the clutch. Then, Mount the winch to the winch bracket with the four OEM bolts. **(Figure 19- 23)**

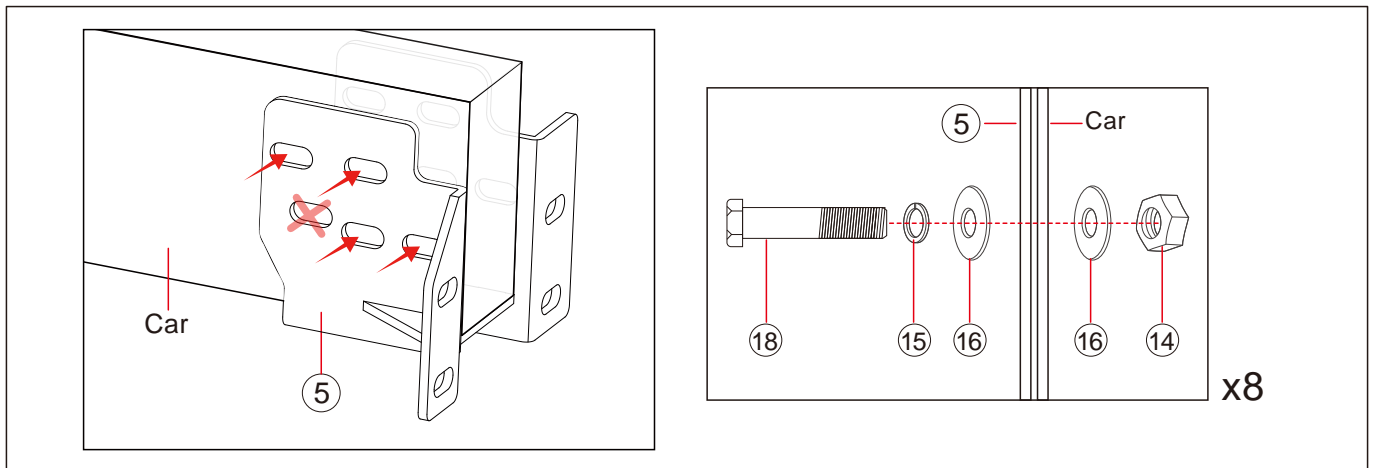
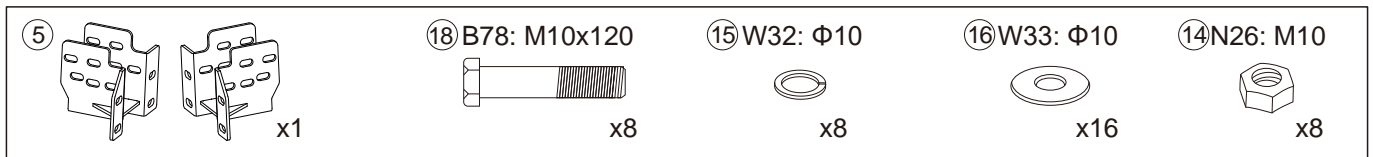


Step 18: Install the winch bracket on the vehicle according to the instructions that came with the winch plate. **(note that a license plate holder is not required)**



Step 19: Install the ⑤ Brackets 1 (L/R).

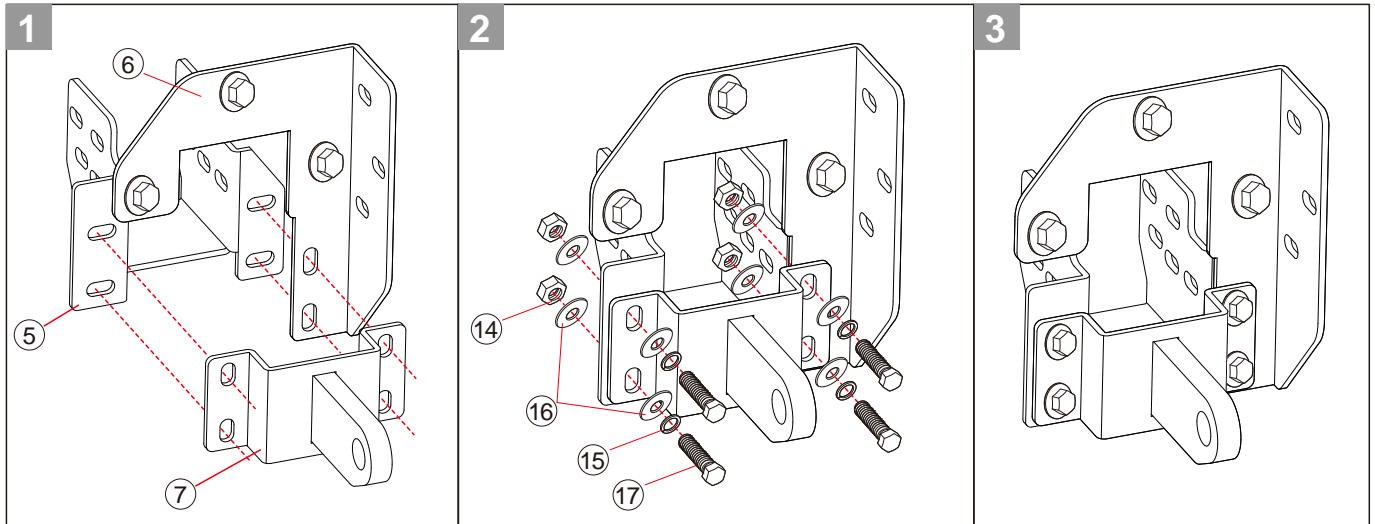
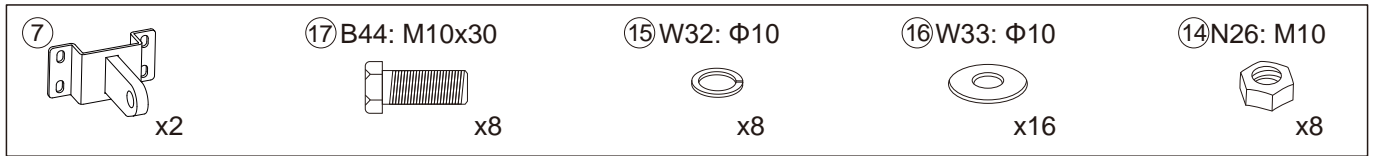
✘ If you do not have our winch bracket installed, you will need to install the ⑤ Brackets 1 (L/R)



Step 20: Install ⑥ Brackets 2 (L/R) and tighten with 3 original bolts (each side)
(Figure 12)



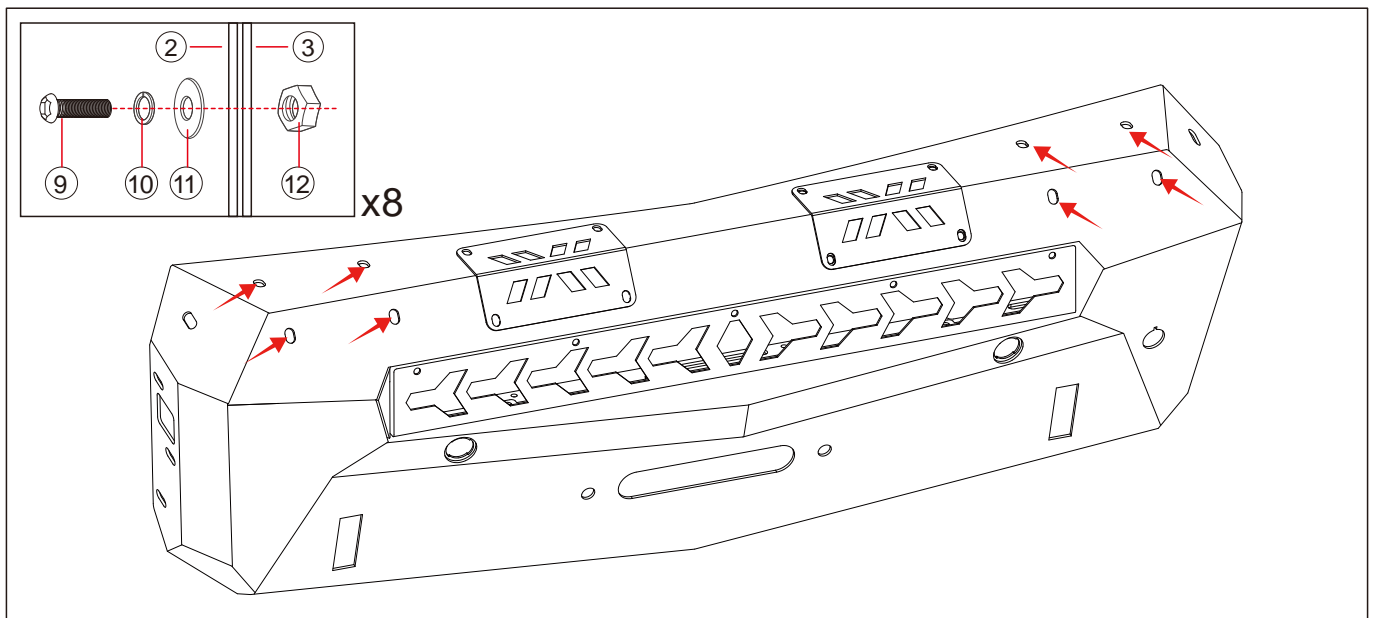
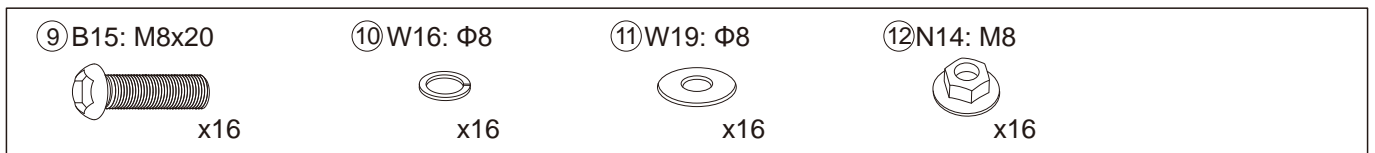
Step 21: Install the Trailer Hitch.



Step 22: If you have not purchased our bull bar, you will need to bolt the 8 holes in the bumper!

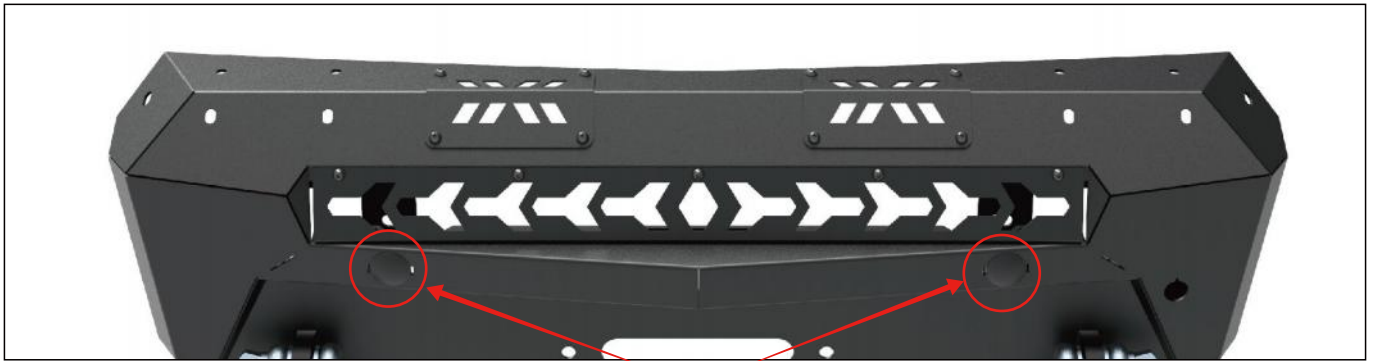
NOTE:

If you have purchased our side wings and bull bar, you will first need to install the side wings and bull bar onto our bumper (please refer to the side wing instructions and bull bar instructions for specific installation steps), and then mount the bumper on the car



Step 23: Install the parking sensor mounting rings into your new bumper.

※**Note:** If your car does not have sensor, this step can be ignored.



Remove the rubber stoppers.

Be sure to install them in the same position/orientation as they came off the OEM bumper. If the rings do not click into place, you may have to file the tabs down a little to allow for the thicker material of your new bumper. **(Figure 25-26)**

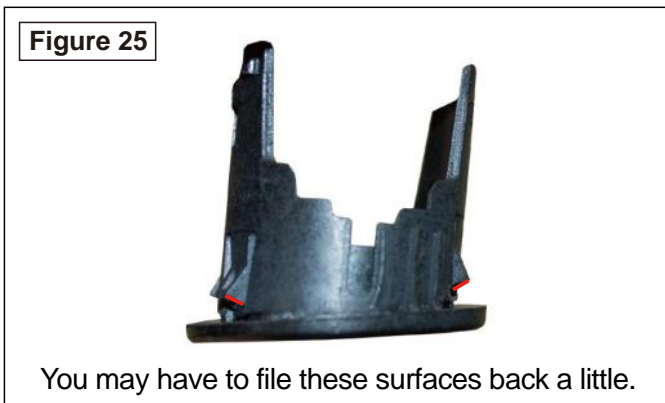


Figure 25

You may have to file these surfaces back a little.



Figure 26

Then, push it into its precut hole in the bumper.

Step 24: Install the Auxiliary Heater Wiring Harness into your new bumper. **(Figure 27-28)**

※**Note:** If your car does not have Auxiliary Heater Wiring Harness, this step can be ignored.



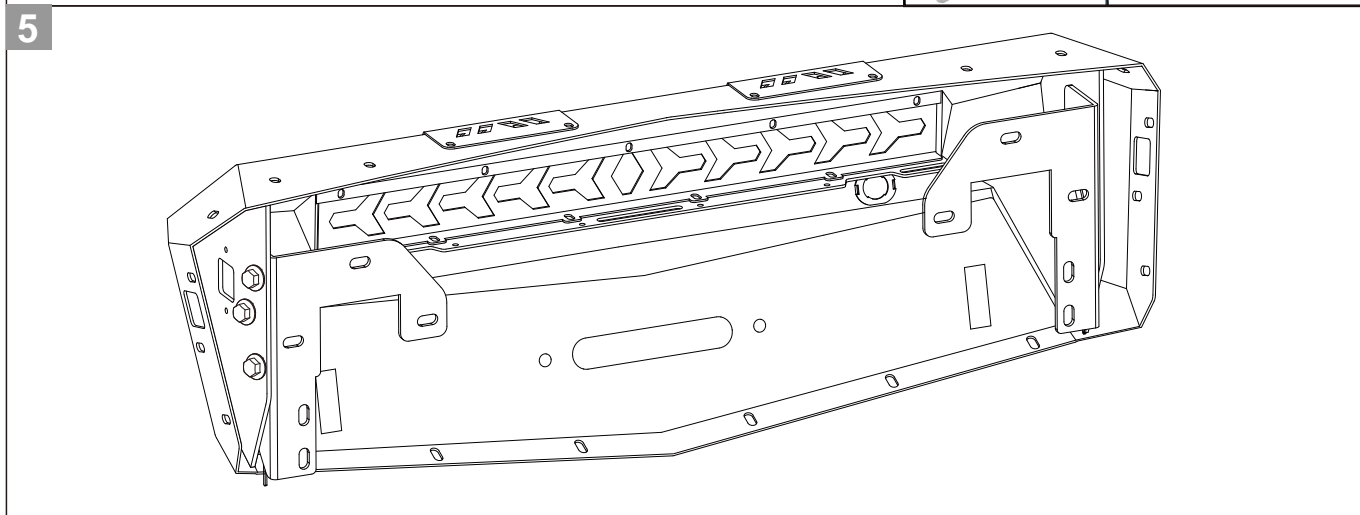
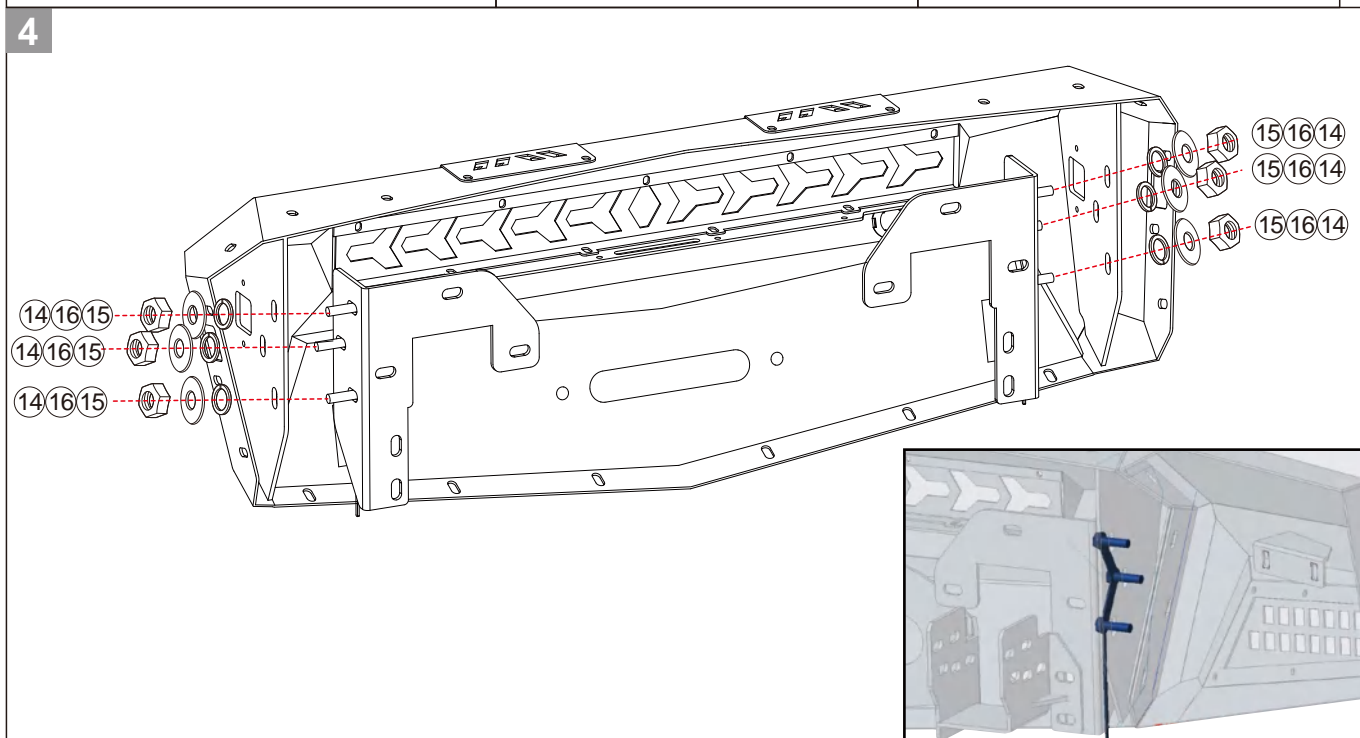
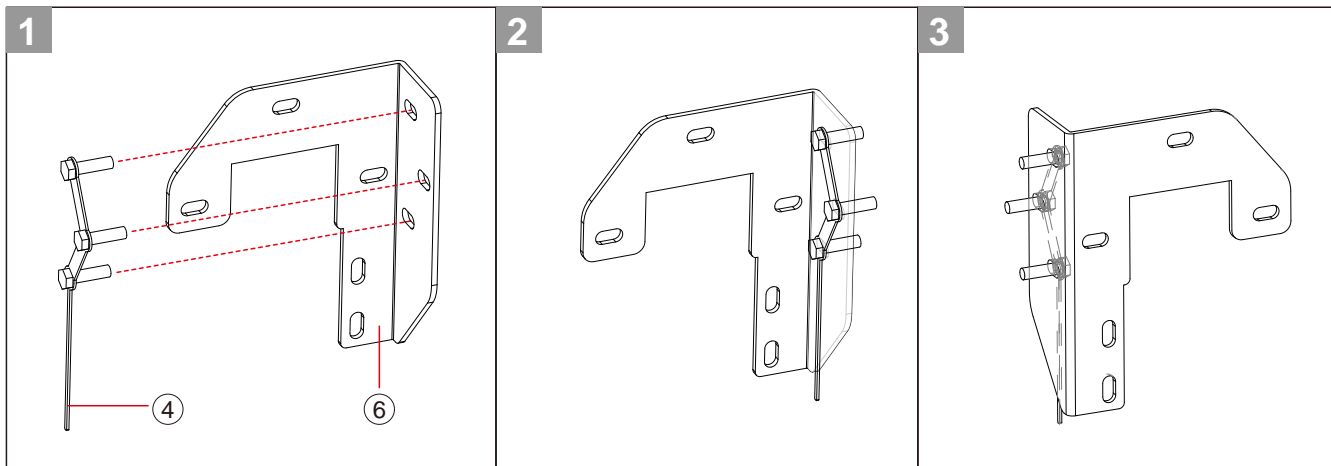
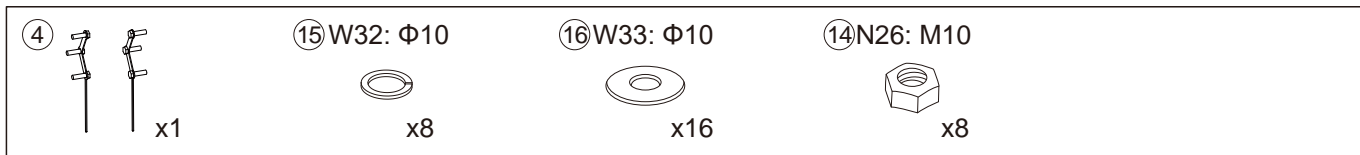
Figure 27



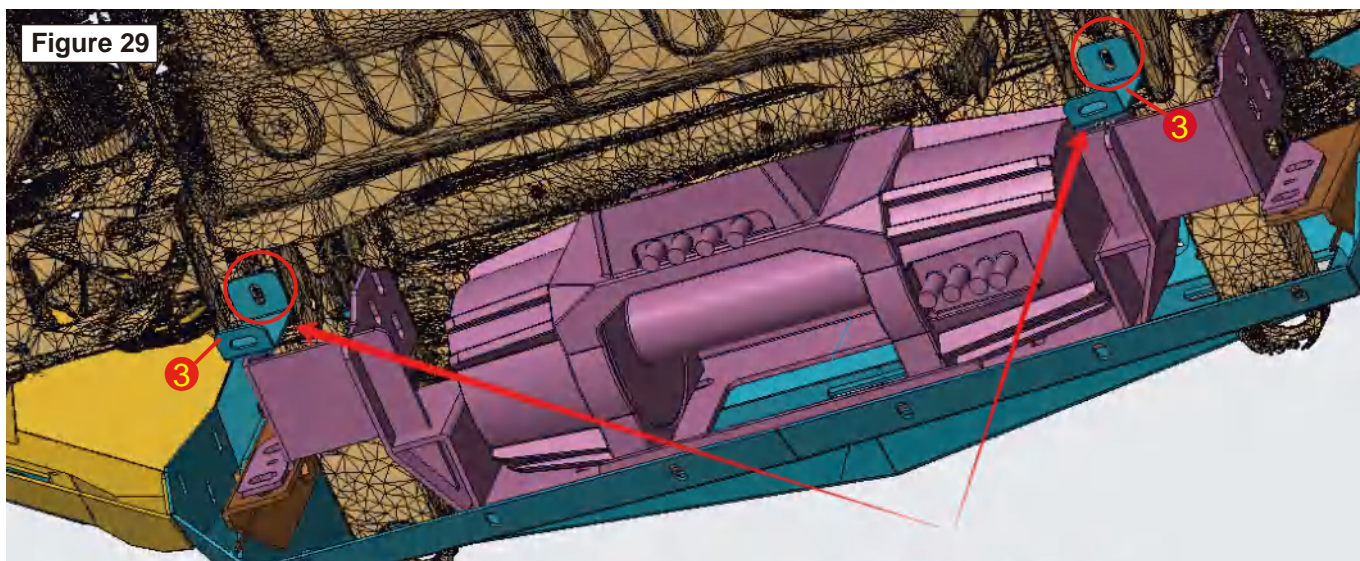
Figure 28

Auxiliary Heater Wiring Harness

Step 25: Install the mid bumper.



Step 26: Mount the ③ skid plate brackets to the car using the original bolts.
(Figure 29)



Step 27: Install the Skid Plate(Figure 30-31).

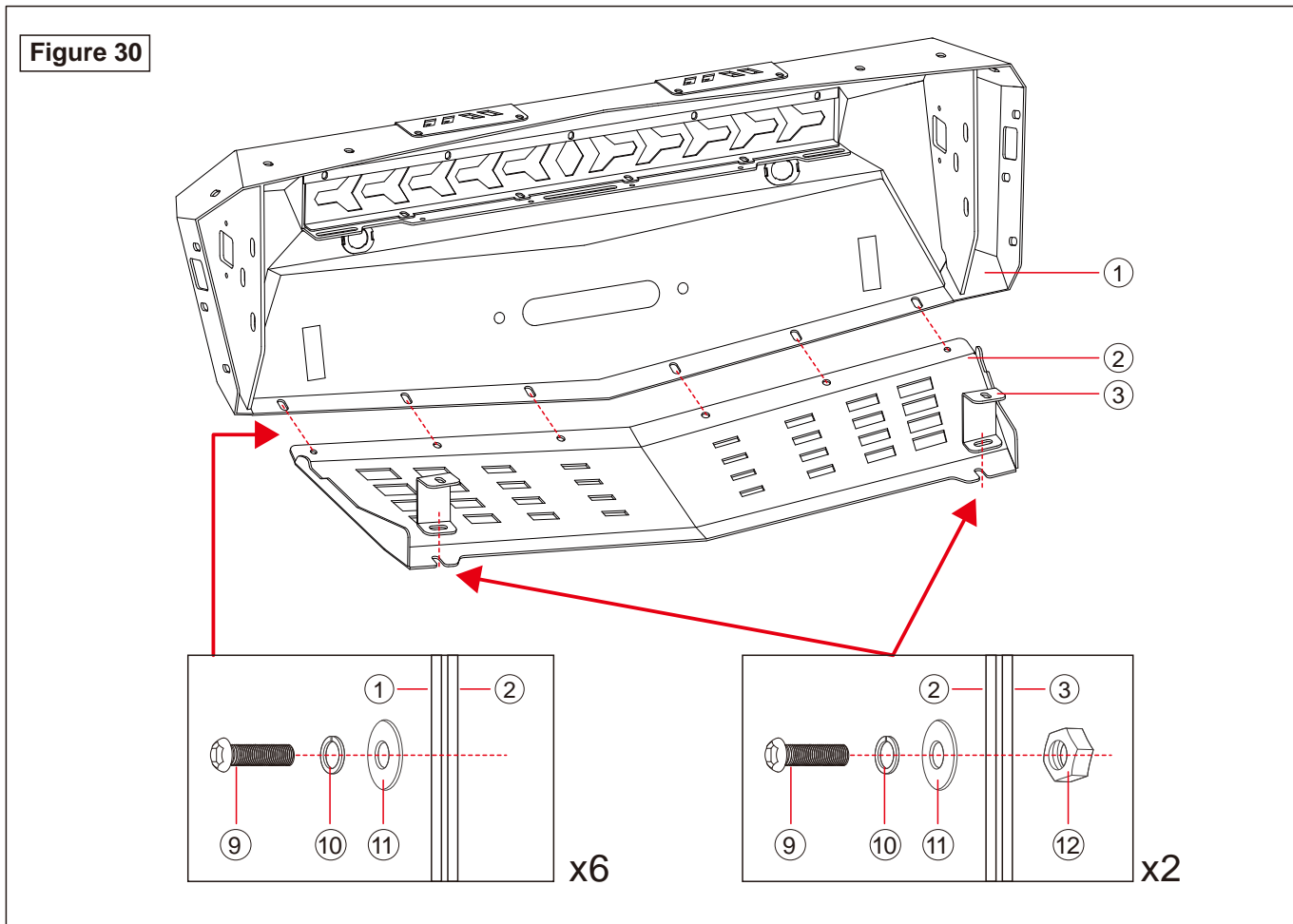
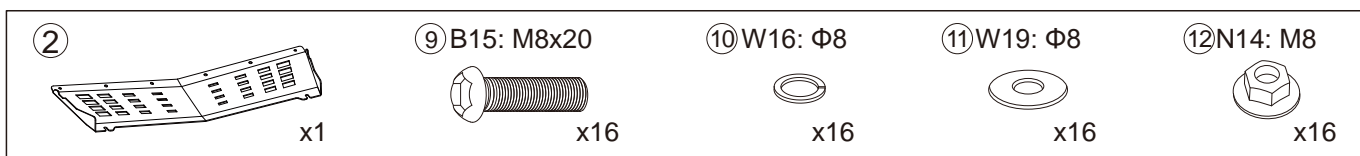
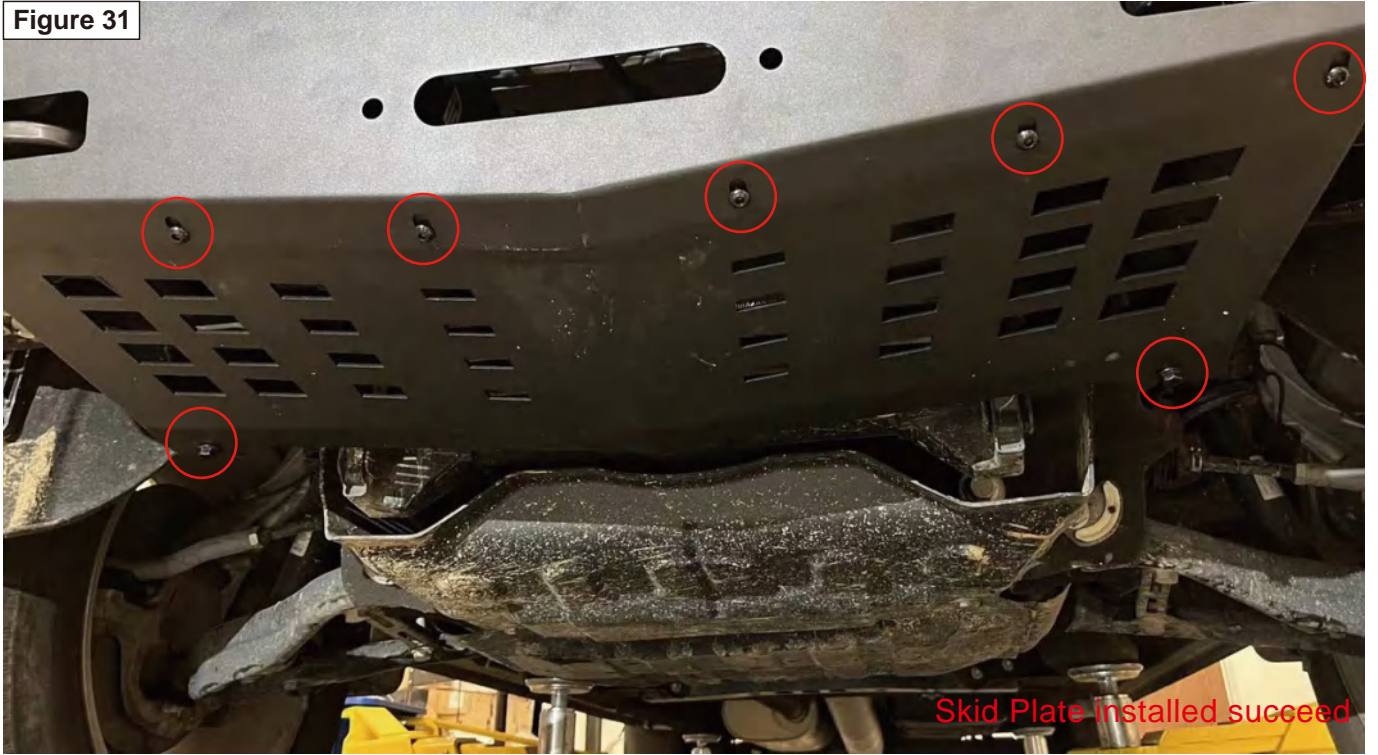
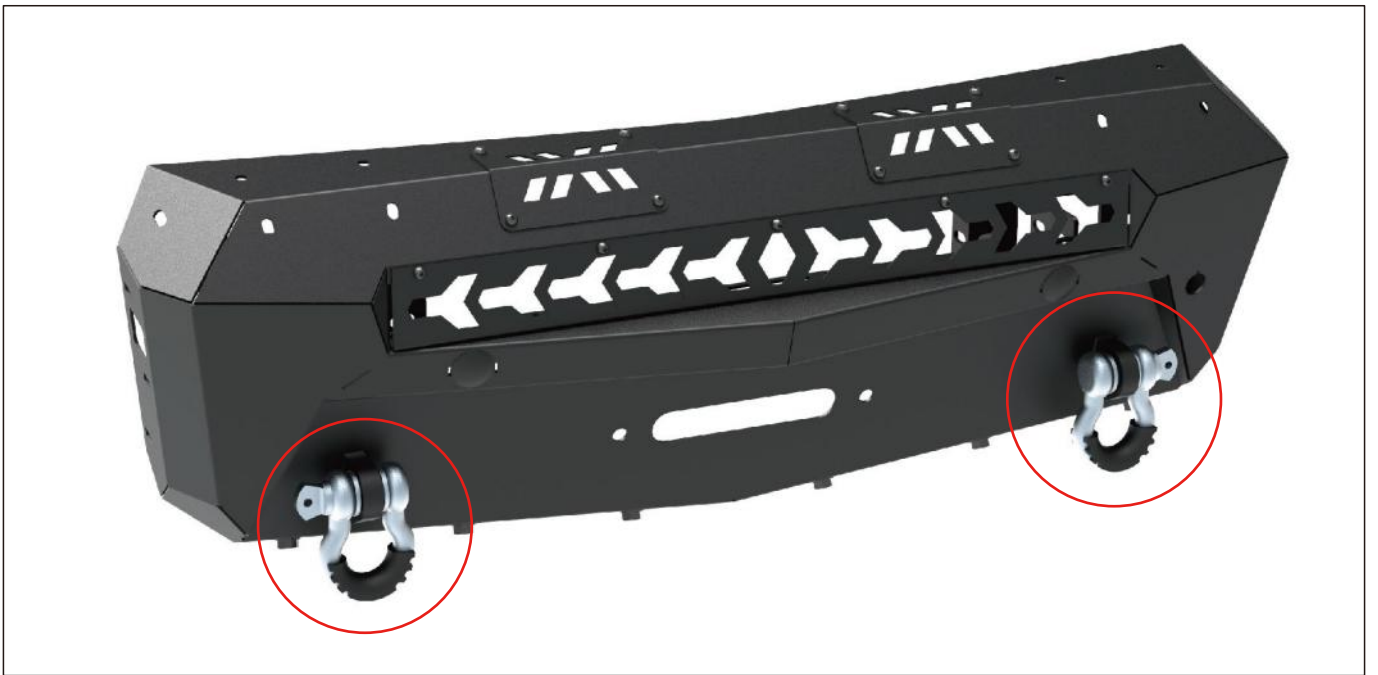


Figure 31



Step 28: Install the Shackles.



Step 29: The Mid Bumper is installed.

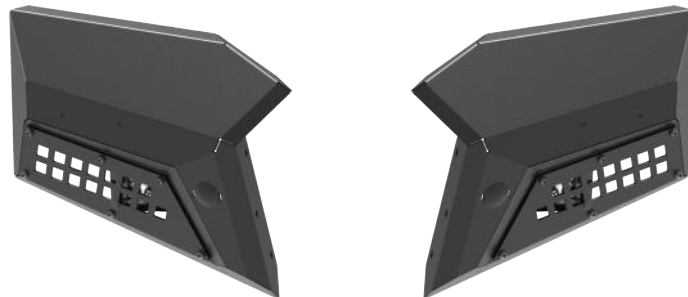
Mid Bumper + Our Side Wings (NSL01A101-2A/2B) + Our Bull Bar (NSL01A101-3B)



FRONT BUMPER SIDE WINGS

————— User Manual —————

2019-2021 Chevrolet Silverado 1500



Model:	NSL01A101-2A
Material:	Q235A
Product Dimensions:	20.1 x 5.5 x 14.1 inch
Package Dimensions:	22.8 x 10.6 x 15.7 inch
Product Weight:	27.1 lbs

※ Thank you for purchasing the FRONT BUMPER SIDE WINGS. Please read this manual carefully and keep it properly if you need to refer to it afterward. If you need any support or assistance, please contact us with your product model number and order number, and our support team will help you solve problems.

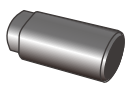

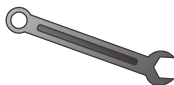

⚠ WARNING

※ This product is designed primarily to enhance the appearance of the vehicle. Do not rely in any way on the components of this product to protect against injury or death in the event of an accident. To reduce the risk of serious injury or property damage, please read all safety messages and understand all instructions and procedure notices before attempting to install or use this product.





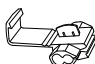
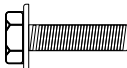

⚠ CAUTION

※ Properly torque and recheck fasteners and security of step tread after 250 miles and inspect frequently. Do not use if damaged.

REQUIRED TOOLS

<p>Socket</p> 	<p>Ratchet</p> 	<p>Wrench</p> 	<p>Safety Glasses</p> 
---	--	--	---

Parts Information

	NO.	Parts Name	Size	Line Graph	Qty	Color
①	/	Front Bumper Side Wings L & R	/		1	Dacro Black
②	/	Light Bracket L & R	/		1	Dacro Black
③	/	Led lights	4inch		2	Black
④	/	Cable Wires	0.75x1.2m		2	Black
④	/	Wire Connector Clips	/		8	/
⑤	B17	Hex Flange Bolts	M8x20		13	Dacro Black
⑥	N14	Hex Flange Nuts	M8		13	Dacro Black

※ **Note: spare parts such as B17 and N14 are provided with 1PCS each (included in the number of parts details).**

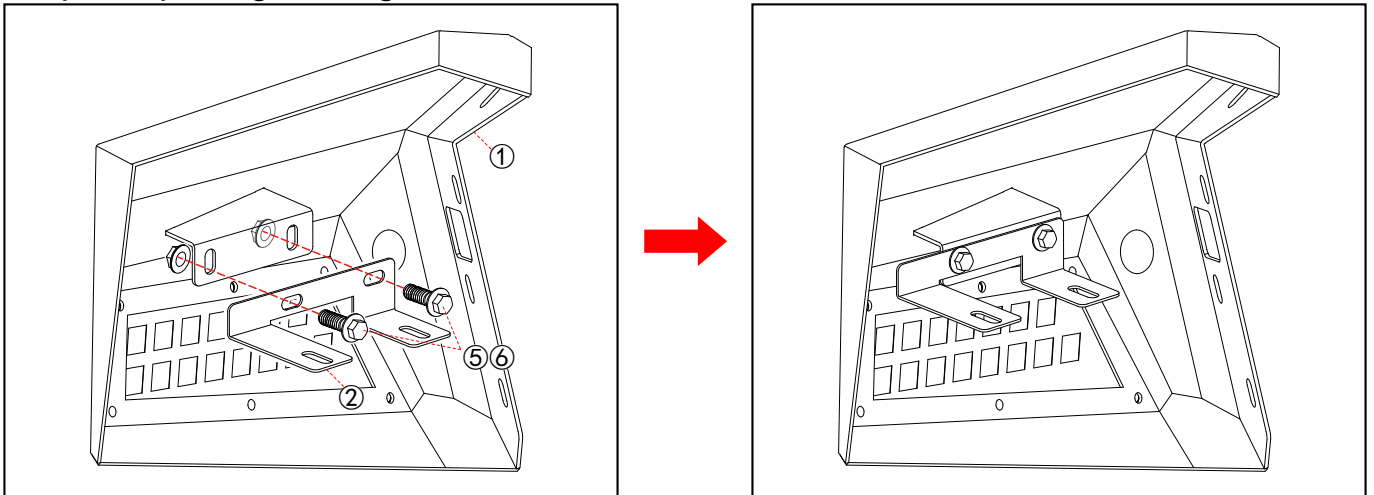
Installation Instructions

※ **Note:**

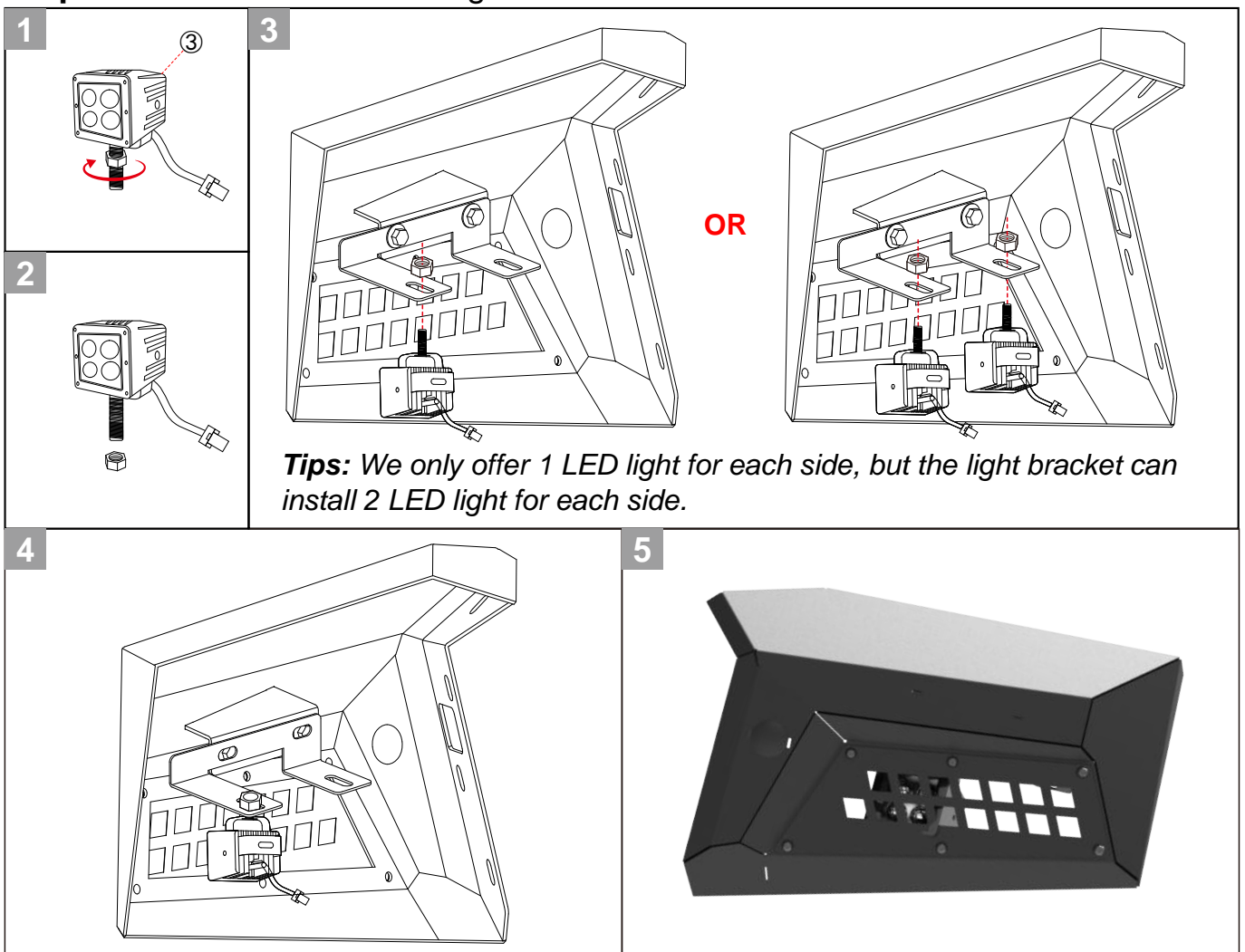
1. This side wings only suitable for our Front Bumper model of NSL01A101-1A.
2. This installation manual takes one of the side as the model.

Step 1: Open the carton and take out the parts. Check whether the number of components is complete.

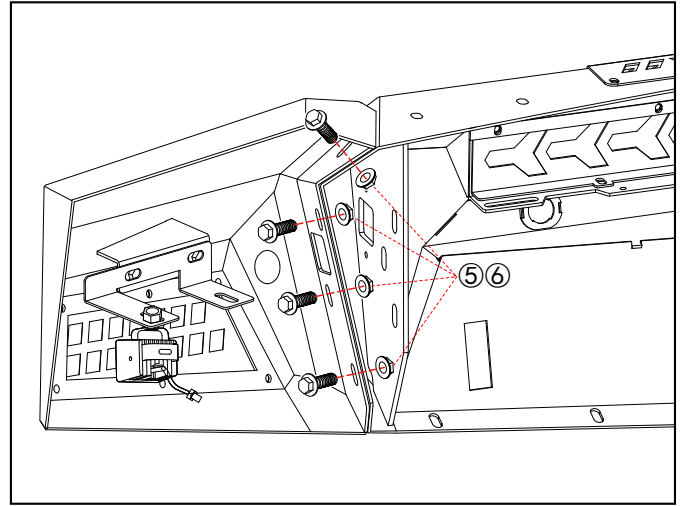
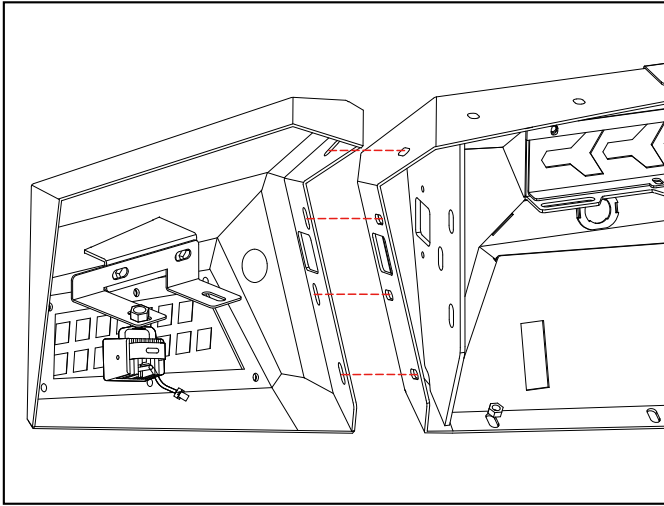
Step 2: Splicing the Light brackets.



Step 3: Install the 4 Inch Ledlight.

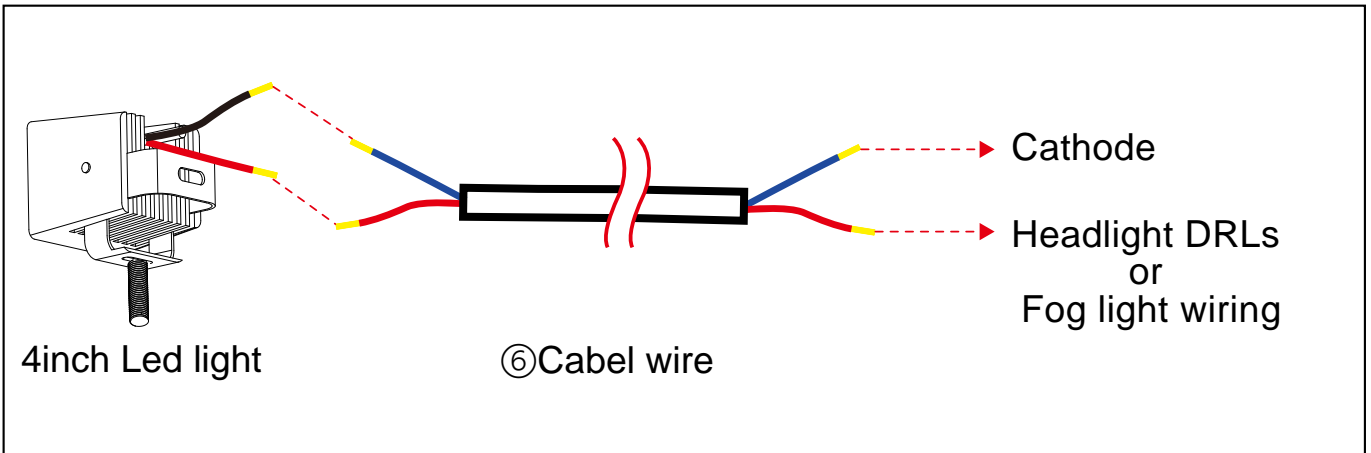


Step 4: Install the side wide.



Step 5: Connect the 4inch Led light lights wiring harness.

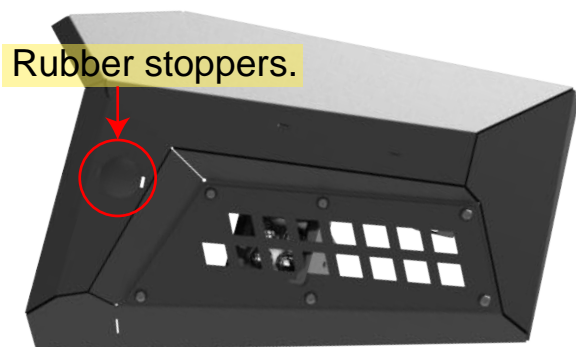
You can connect the 4inch Led light lights wiring harness to the headlight DRLs or fog light wiring. but my suggestion is to connect to the fog lights for on/off control!



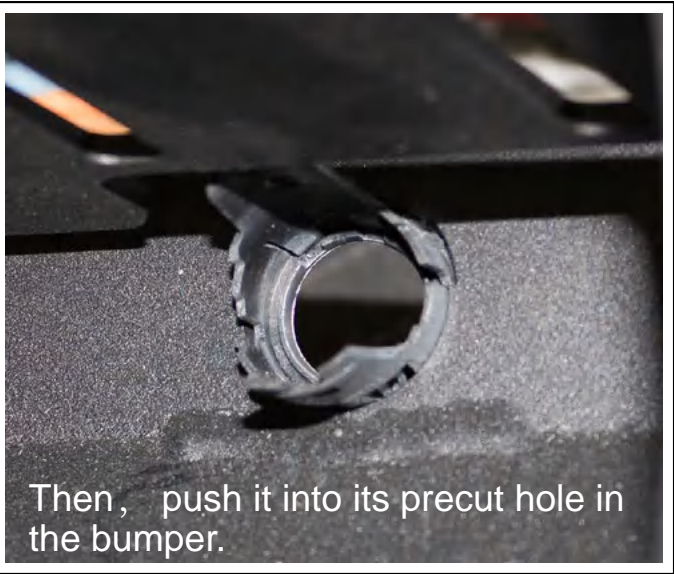
Step 6: Install the parking sensor mounting rings into your new bumper.

※Note: If your car does not have sensor, this step can be ignored.

1. Remove the rubber stoppers.



2. Be sure to install them in the same position/orientation as they came off the OEM bumper. If the rings do not click into place, you may have to file the tabs down a little to allow for the thicker material of your new bumper.



3. Install the parking sensors by pressing them into the back side of the mounting rings until they click into place. Be sure to install these in the same position/orientation as they came off the OEM bumper. Plug the harness in as you install the sensors and make sure to secure the harness out of harm's way with the main connector on the same side as it came off your OEM bumper.



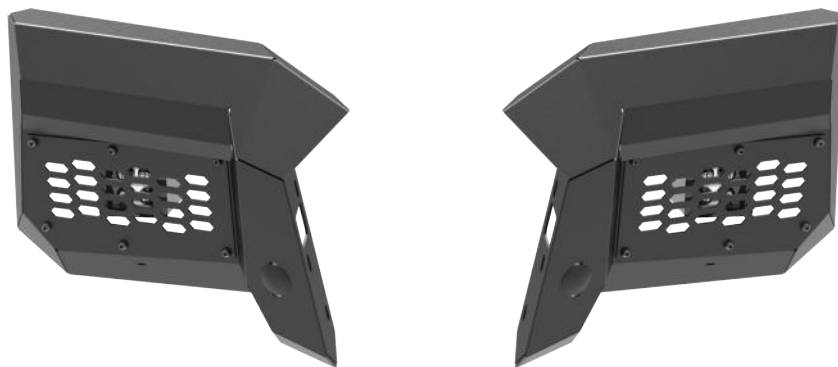
The Side Wings is assembled.



FRONT BUMPER SIDE WINGS

————— User Manual —————

2019-2021 Chevrolet Silverado 1500



Model:	NSL01A101-2B
Material:	Q235A
Product Dimensions:	19.5 x 6.5 x 14.1 inch
Package Dimensions:	22.8 x 13 x 15.7 inch
Product Weight:	31.2 lbs

※ Thank you for purchasing the FRONT BUMPER SIDE WINGS. Please read this manual carefully and keep it properly if you need to refer to it afterward. If you need any support or assistance, please contact us with your product model number and order number, and our support team will help you solve problems.

⚠ WARNING

※ This product is designed primarily to enhance the appearance of the vehicle. Do not rely in any way on the components of this product to protect against injury or death in the event of an accident. To reduce the risk of serious injury or property damage, please read all safety messages and understand all instructions and procedure notices before attempting to install or use this product.

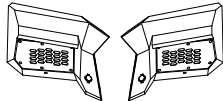

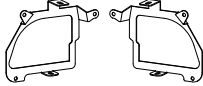
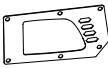


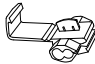
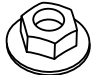
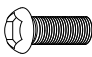

⚠ CAUTION

※ Properly torque and recheck fasteners and security of step tread after 250 miles and inspect frequently. Do not use if damaged.

REQUIRED TOOLS

Socket 	Ratchet 	Allen Wrench 	Wrench 	Safety Glasses 
---	--	---	--	---

Parts Information

	NO.	Parts Name	Size	Line Graph	Qty	Color
①	/	Front Bumper Side Wings L & R	/		1	Dacro Black
②	/	Light Bracket 1 L & R	/		1	Dacro Black
③	/	Light Bracket 2 L & R	/		1	Dacro Black
④	/	Decorative Plates	/		2	Dacro Black
⑤	/	Led lights	4inch		2	Black
⑥	/	Cable Wires	0.75x1.2m		2	Black
⑦	/	Wire Connector Clips	/		8	/
⑧	B17	Hex Flange Bolts	M8x20		9	Dacro Black
⑨	N14	Hex Flange Nuts	M8		9	Dacro Black
⑩	B06	Half Head Allen Bolts	M6x15		11	Dacro Black
⑪	N09	Hex Flange Nuts	M6		11	Dacro Black

※ Note: spare parts such as B17、 N14、 B06 and N09 are provided with 1PCS each (included in the number of parts details).

Installation Instructions

※ **Note:**

1. This side wings only suitable for our Front Bumper model of NSL01A101-1A.
2. This installation manual takes one of the side as the model.

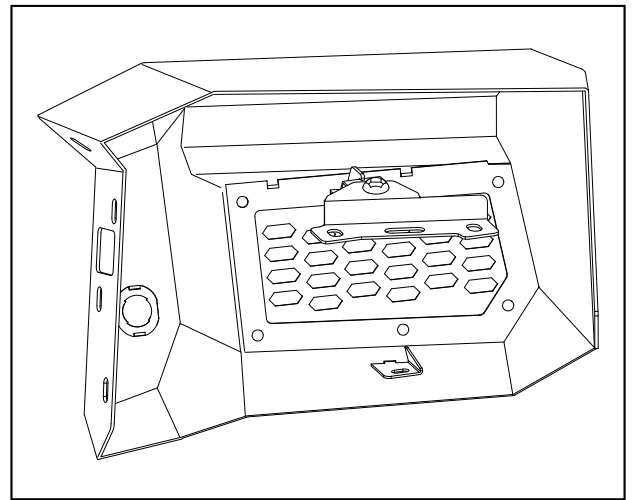
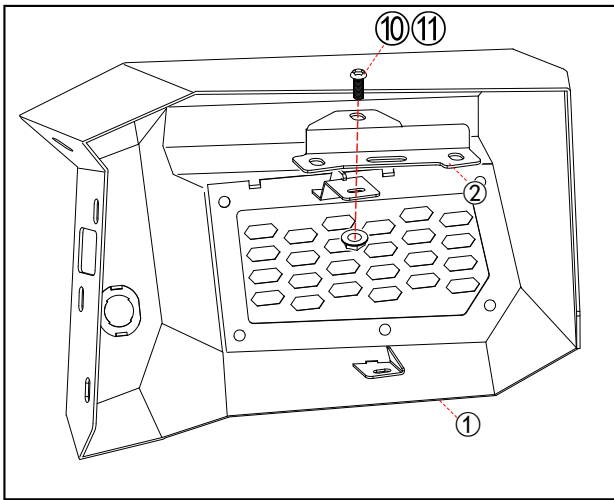
Step 1: Open the carton and take out the parts. Check whether the number of components is complete.

Step 2: Splicing the Light brackets.

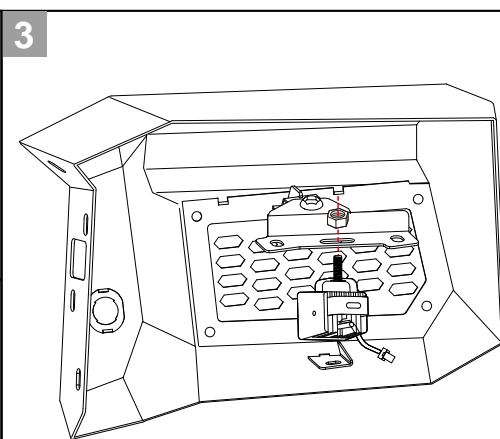
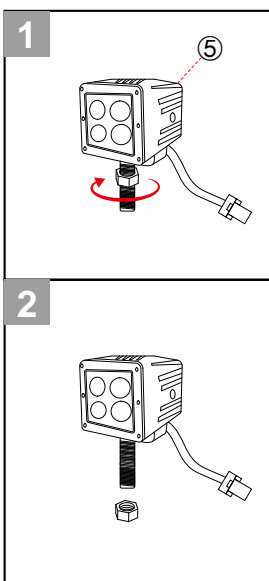
Tips: This side wings have two styles of decorative parts and light brackets (Style 1: Install the original fog light. Style 2: Install we offer the LED lights), you can choose one according yo your personal preference.

Style 1: (Install we LED lights)

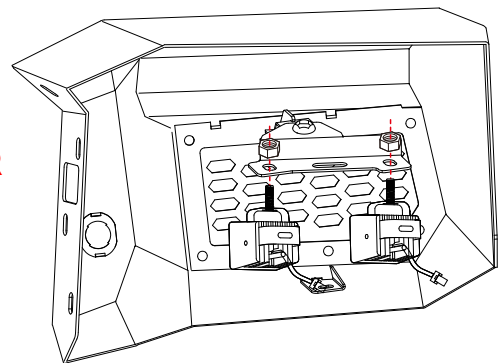
1. Install the light bracket (2).



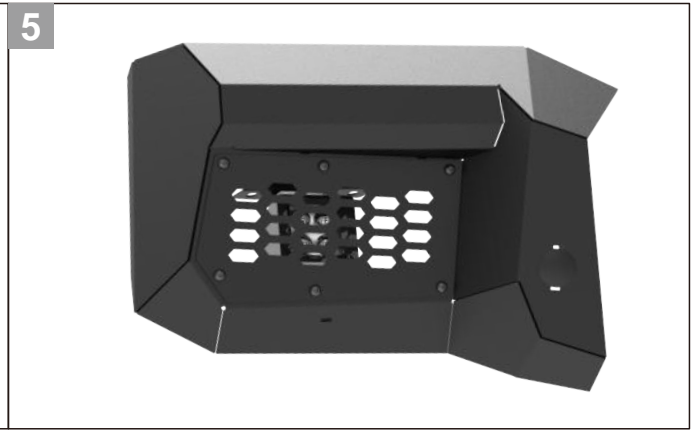
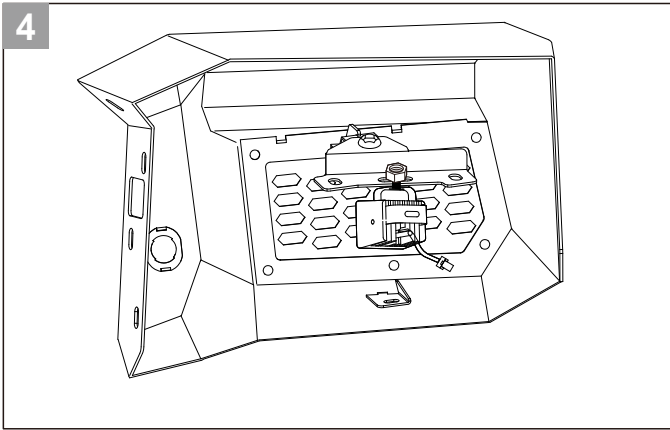
2. Install the 4 Inch Ledlight (5).



OR

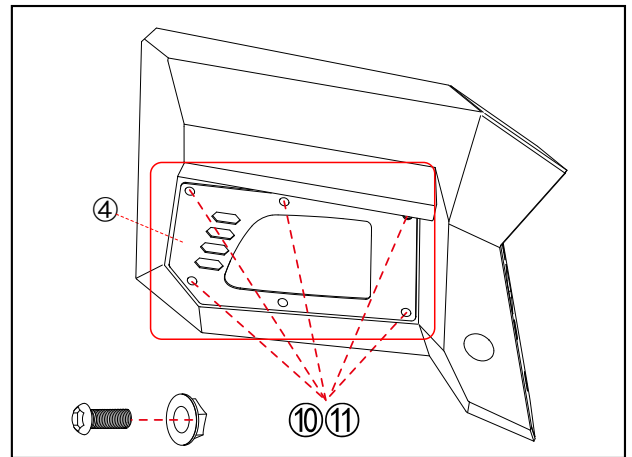
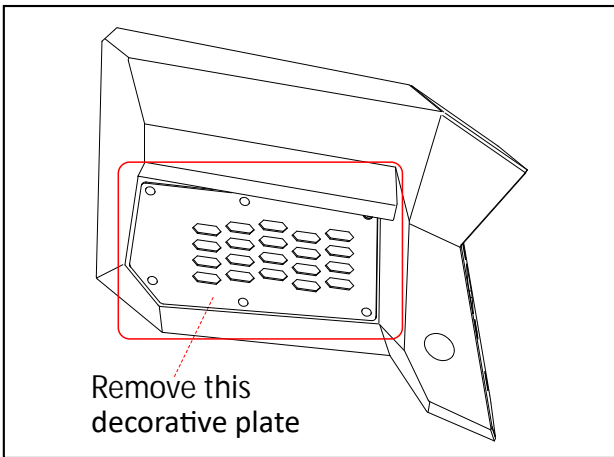


Tips: We only offer 1 LED light for each side, but the light bracket can install 2 LED light for each side.

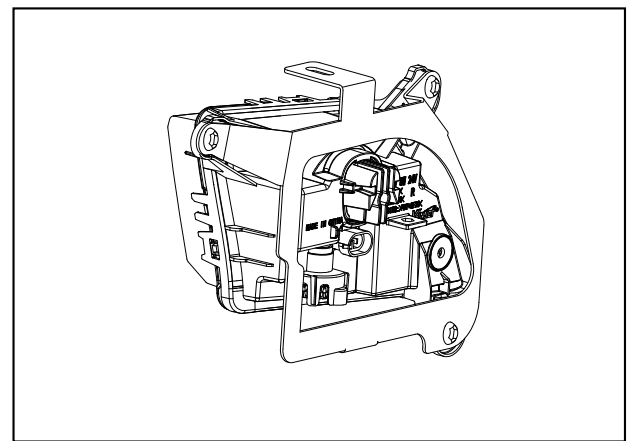
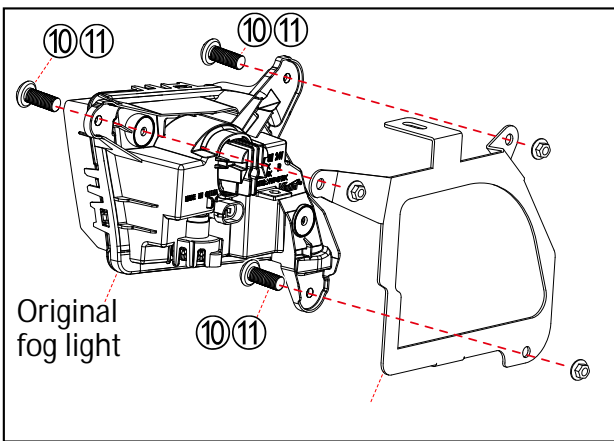


Style 2: (Install the original fog light)

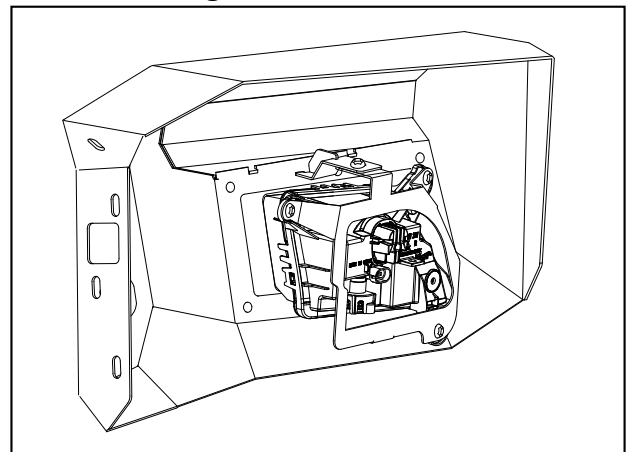
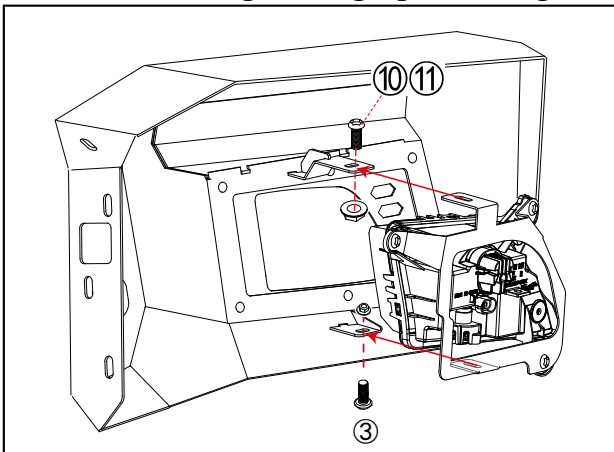
1. Remove the decorative plate on the side wing first, then install the decorative plate ④.



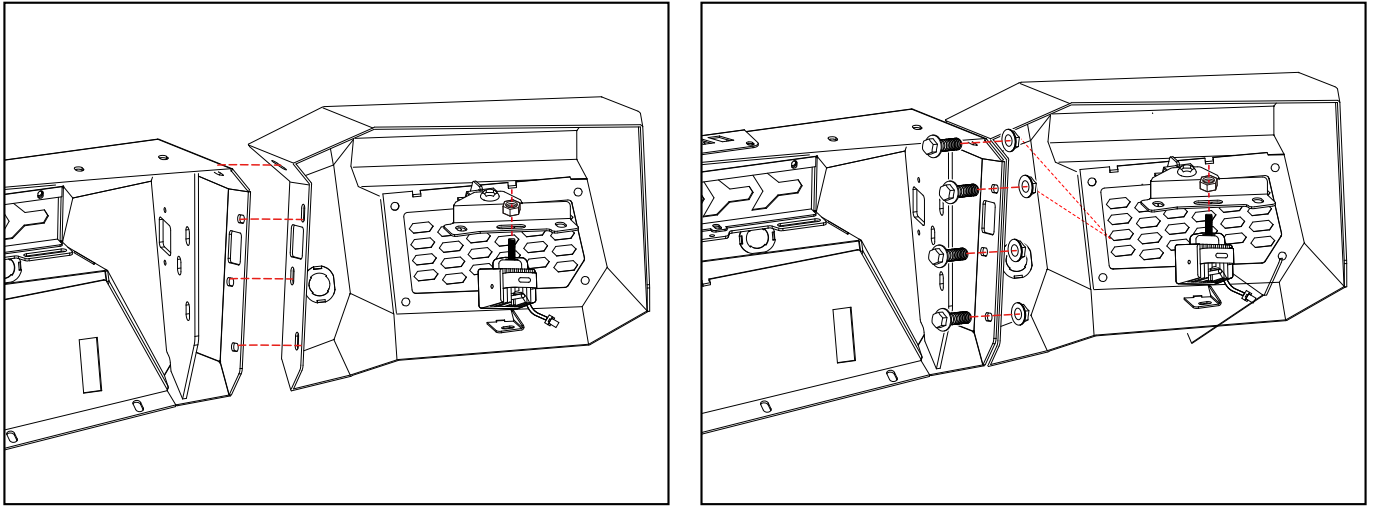
2. Install the original fog light and light bracket ③.



3. Install the original fog light and light bracket on the side wing.

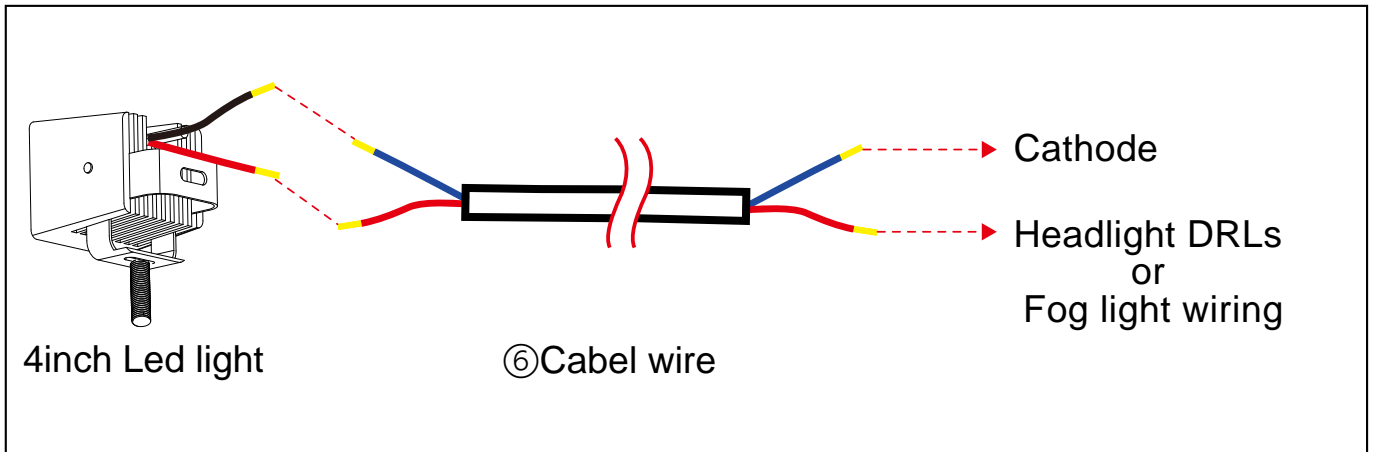


Step 3: Install the side wide.



Step 4: Connect the 4inch Led light lights wiring harness.

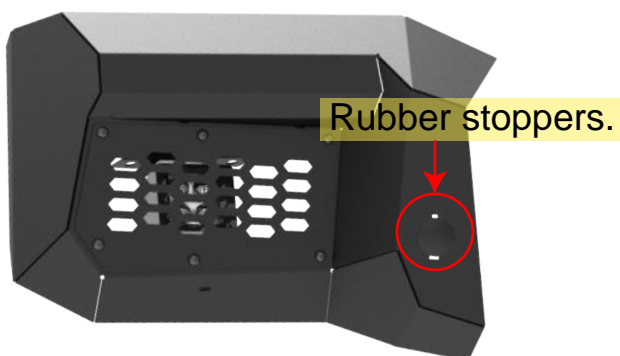
You can connect the 4inch Led light lights wiring harness to the headlight DRLs or fog light wiring. but my suggestion is to connect to the fog lights for on/off control!



Step 5: Install the parking sensor mounting rings into your new bumper.

✘**Note:** If your car does not have sensor, this step can be ignored.

1. Remove the rubber stoppers.



2. Be sure to install them in the same position/orientation as they came off the OEM bumper. If the rings do not click into place, you may have to file the tabs down a little to allow for the thicker material of your new bumper.



The Side Wings is assembled.



FRONT BUMPER BULL BAR

————— User Manual —————

2019-2021 Chevrolet Silverado 1500



Model:	NSL01A101-3A
Material:	Q235A
Product Dimensions:	45.5 x 6.9 x 6inch
Package Dimensions:	48.5 x 9 x 9 inch
Product Weight:	17 lbs

※ Thank you for purchasing the FRONT BUMPER BULL BAR. Please read this manual carefully and keep it properly if you need to refer to it afterward. If you need any support or assistance, please contact us with your product model number and order number, and our support team will help you solve problems.

⚠ WARNING

※ This product is designed primarily to enhance the appearance of the vehicle. Do not rely in any way on the components of this product to protect against injury or death in the event of an accident. To reduce the risk of serious injury or property damage, please read all safety messages and understand all instructions and procedure notices before attempting to install or use this product.

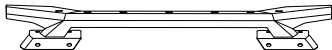
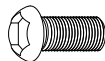
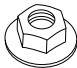

⚠ CAUTION

※ Properly torque and recheck fasteners and security of step tread after 250 miles and inspect frequently. Do not use if damaged.

REQUIRED TOOLS

Socket 	Wrench 	Allen Wrench 	Safety Glasses 
---	---	--	---

Parts Information

	NO.	Parts Name	Size	Line Graph	Qty	Color
①	/	Bull Bar	/		1	Black
②	B15	Half Head Allen Bolts	M8x20		9	Dacro Black
③	N14	Hex Flange Nuts	M8		9	Dacro Black
④	W34	Flat Washer	Φ8.4x16x2		9	Dacro Black

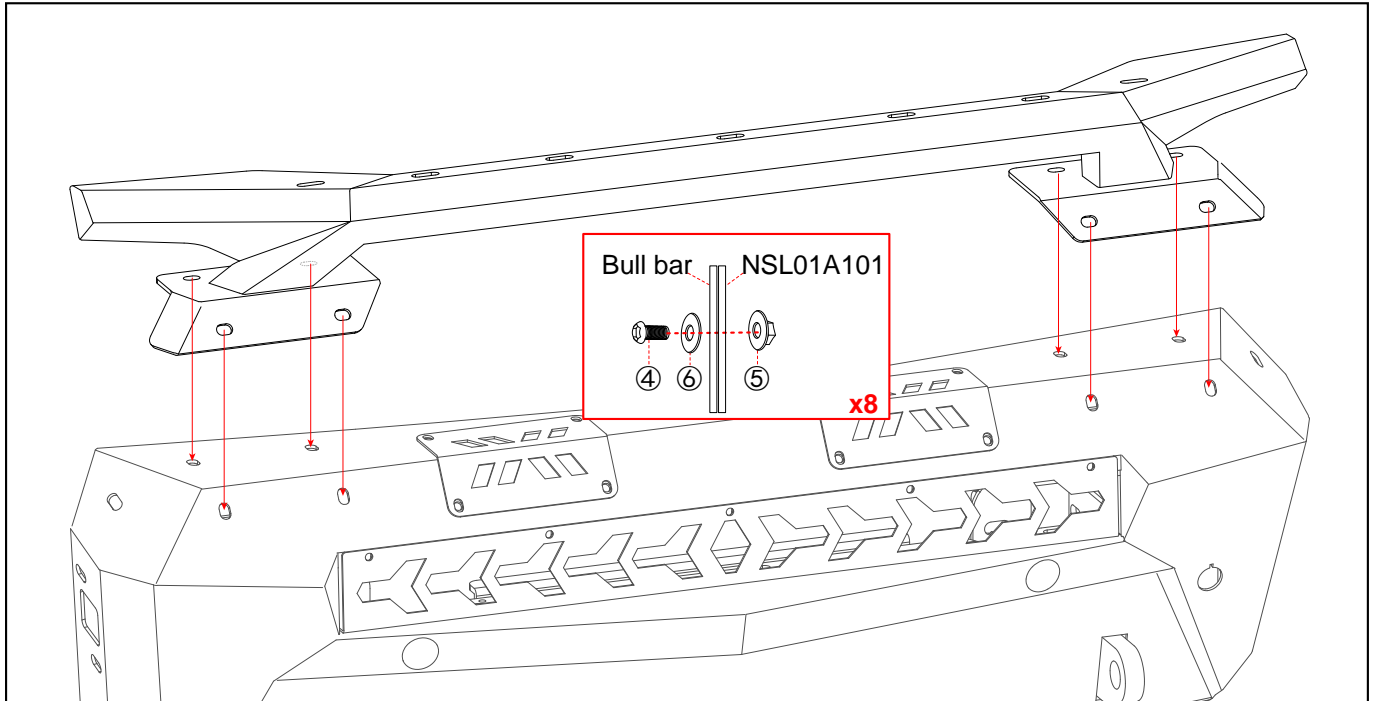
※ **Note:** spare parts such as B15、 N14 and W34 are provided with 1PCS each (included in the number of parts details).

Installation Instructions

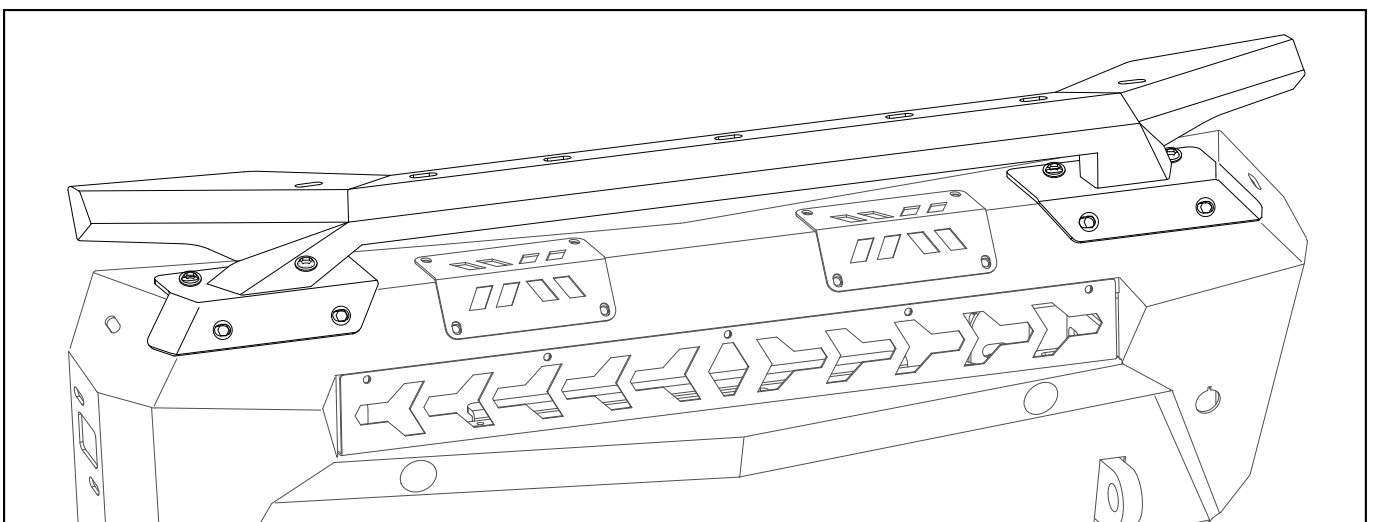
Step 1: Open the carton and take out the parts. Check whether the number of components is complete.

Step 2: Install the Bull Bar.

Note: *This Bull Bar only suitable for our Front Bumper model of NSL01A101.*



The Bull Bar is installed.



FRONT BUMPER BULL BAR

————— User Manual —————

2019-2021 Chevrolet Silverado 1500



Model:	NSL01A101-3B
Material:	Q235A
Product Dimensions:	31.8 x 18.9 x 13.8inch
Package Dimensions:	76.3 x 12.4 x 19.6 inch
Product Weight:	42.1 lbs

※ Thank you for purchasing the FRONT BUMPER BULL BAR. Please read this manual carefully and keep it properly if you need to refer to it afterward. If you need any support or assistance, please contact us with your product model number and order number, and our support team will help you solve problems.

⚠ WARNING

※ This product is designed primarily to enhance the appearance of the vehicle. Do not rely in any way on the components of this product to protect against injury or death in the event of an accident. To reduce the risk of serious injury or property damage, please read all safety messages and understand all instructions and procedure notices before attempting to install or use this product.

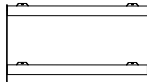
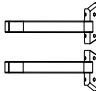
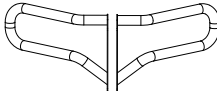
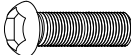
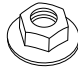

⚠ CAUTION

※ Properly torque and recheck fasteners and security of step tread after 250 miles and inspect frequently. Do not use if damaged.

REQUIRED TOOLS

Socket 	Wrench 	Allen Wrench 	Safety Glasses 
---	---	--	---

Parts Information

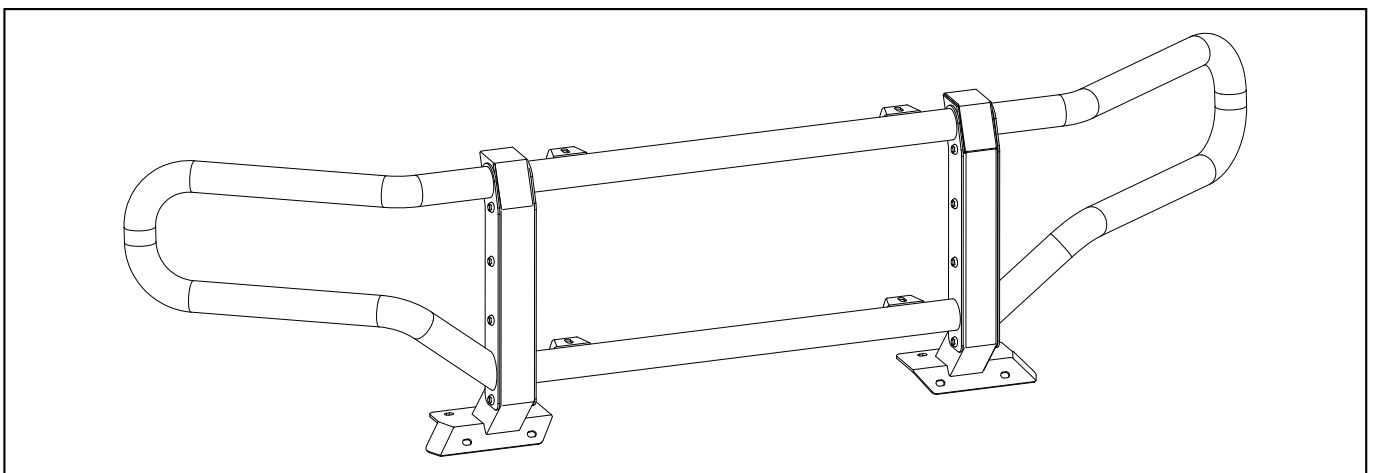
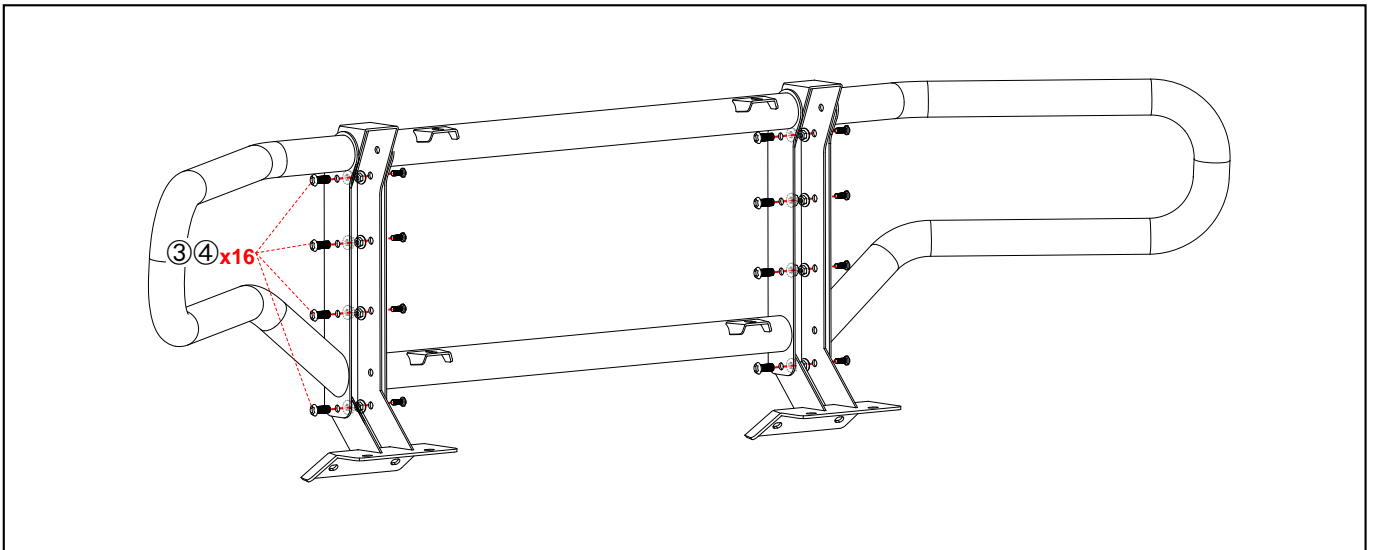
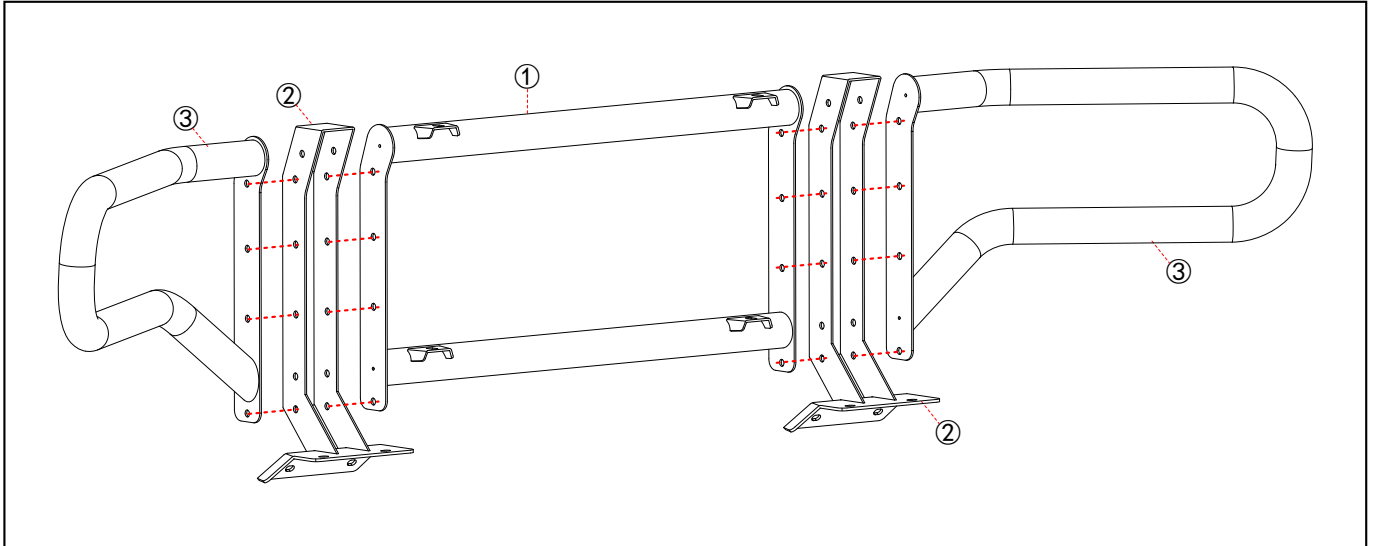
	NO.	Parts Name	Size	Line Graph	Qty	Color
①	/	Bull Bar	/		1	Black
②	/	Left/Right Bull Bar 1	/		1	Black
③	/	Left/Right Bull Bar 2	/		1	Black
④	B15	Half Head Allen Bolts	M8x20		25	Dacro Black
⑤	N14	Hex Flange Nuts	M8		25	Dacro Black
⑥	W34	Flat Washer	Φ8.4x16x2		9	Dacro Black

※ **Note: spare parts such as B15、 N14 and W34 are provided with 1PCS each (included in the number of parts details).**

Installation Instructions

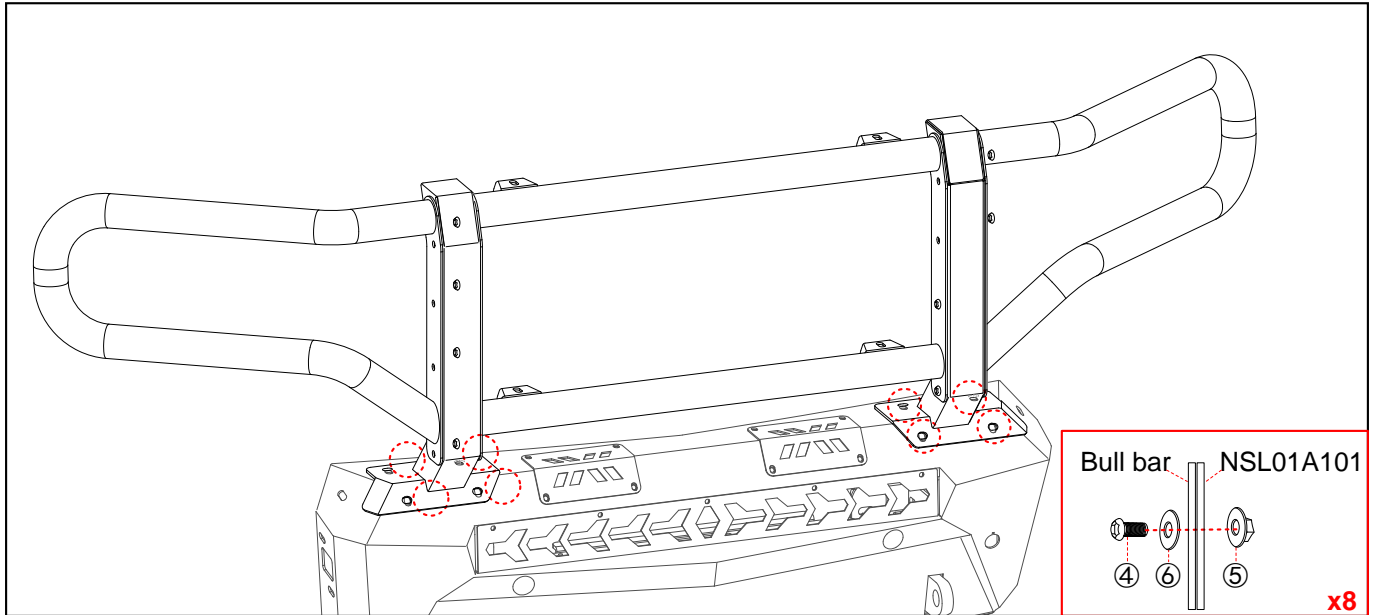
Step 1: Open the carton and take out the parts. Check whether the number of components is complete.

Step 2: Splicing the Bumper.



Step 3: Install the Bull Bar.

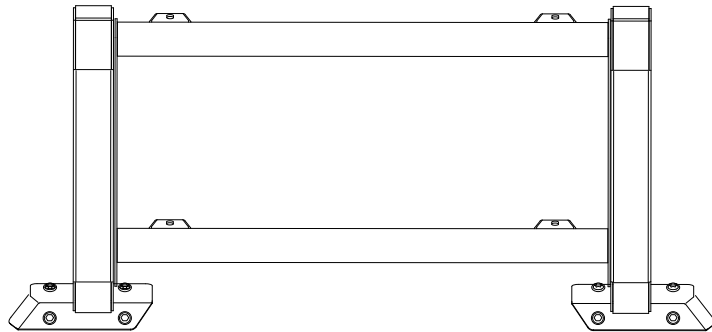
Note: This Bull Bar only suitable for our Front Bumper model of NSL01A101.



The Bull Bar is installed.

Enjoy our unique 2 in 1 bull bar design in which can be adjusted into 2 styles in according to your personal preference.

Style 1



Style 2

