

# SIDE STEP

— User Manual —

2009-2018 Dodge Ram 4 Door



Model:	NRM02C105
Material:	Q235A
Product Dimensions:	79.3 x 8.1x 4.4 inch
Package Dimensions:	42.12 x 18.11 x 11.4 inch
Product Weight:	59 lbs

---

※Thank you for purchasing the SIDE STEP. Please read this manual carefully and keep it properly if you need to refer to it afterward. If you need any support or assistance, please contact us with your product model number and order number, and our support team will help you solve problems.

**⚠ WARNING**





※ This product is designed primarily to enhance the appearance of the vehicle. Do not rely in any way on the components of this product to protect against injury or death in the event of an accident. To reduce the risk of serious injury or property damage, please read all safety messages and understand all instructions and procedure notices before attempting to install or use this product.

**⚠ CAUTION**

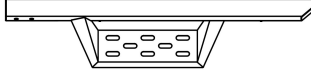
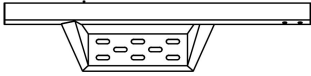
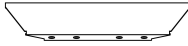
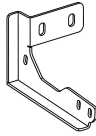
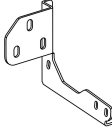

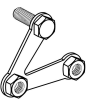
※ Properly torque and recheck fasteners and security of step tread after 250 miles and inspect frequently. Do not use if damaged.

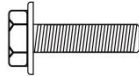


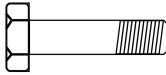

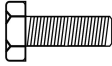


※ Side Steps are heavy, and we strongly suggest the assistance of an able-bodied assistant during the lifting and installation of your Side Step.

# REQUIRED TOOLS

<p>Socket</p> 	<p>Ratchet</p> 	<p>Wrench</p> 	<p>Safety Glasses</p> 
---	--	--	---

## Parts Information

Parts NO.	Parts Name	Size	Line Graph	Qty	Color
/	Front Side Step	/		2	Black
/	Rear Side Step	/		2	Black
/	Connector	/		2	Black
/	Left/Right Front Basket	/		2	Black
/	Left/Right Mid/Near Basket	/		4	Black
/	Support Basket	/		6	Black
/	Left/Right Nut Plates	M10		6	Black

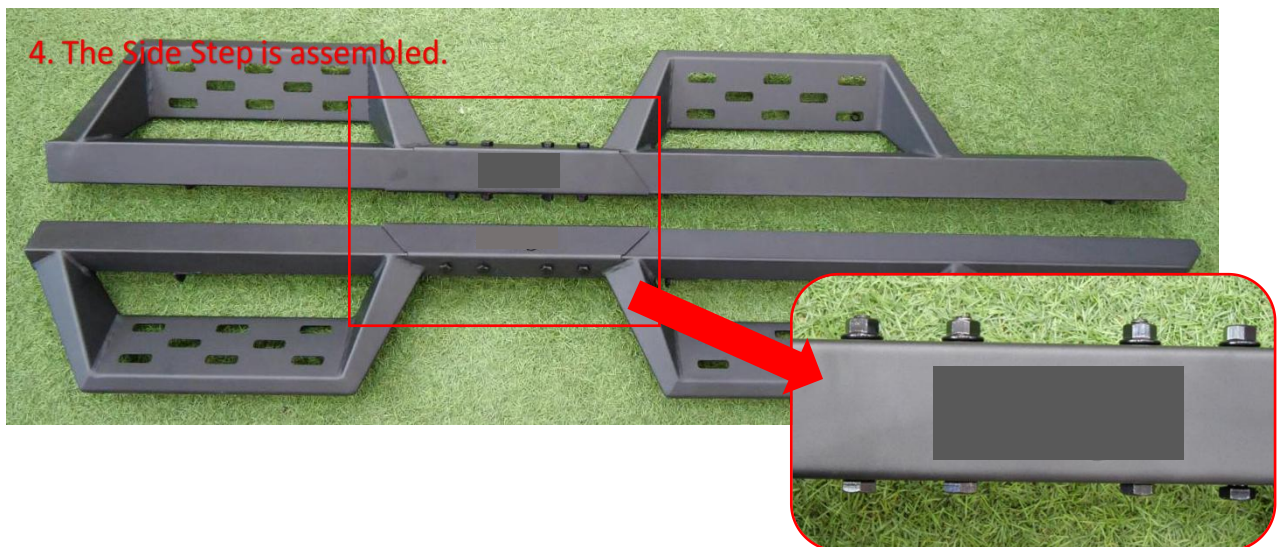
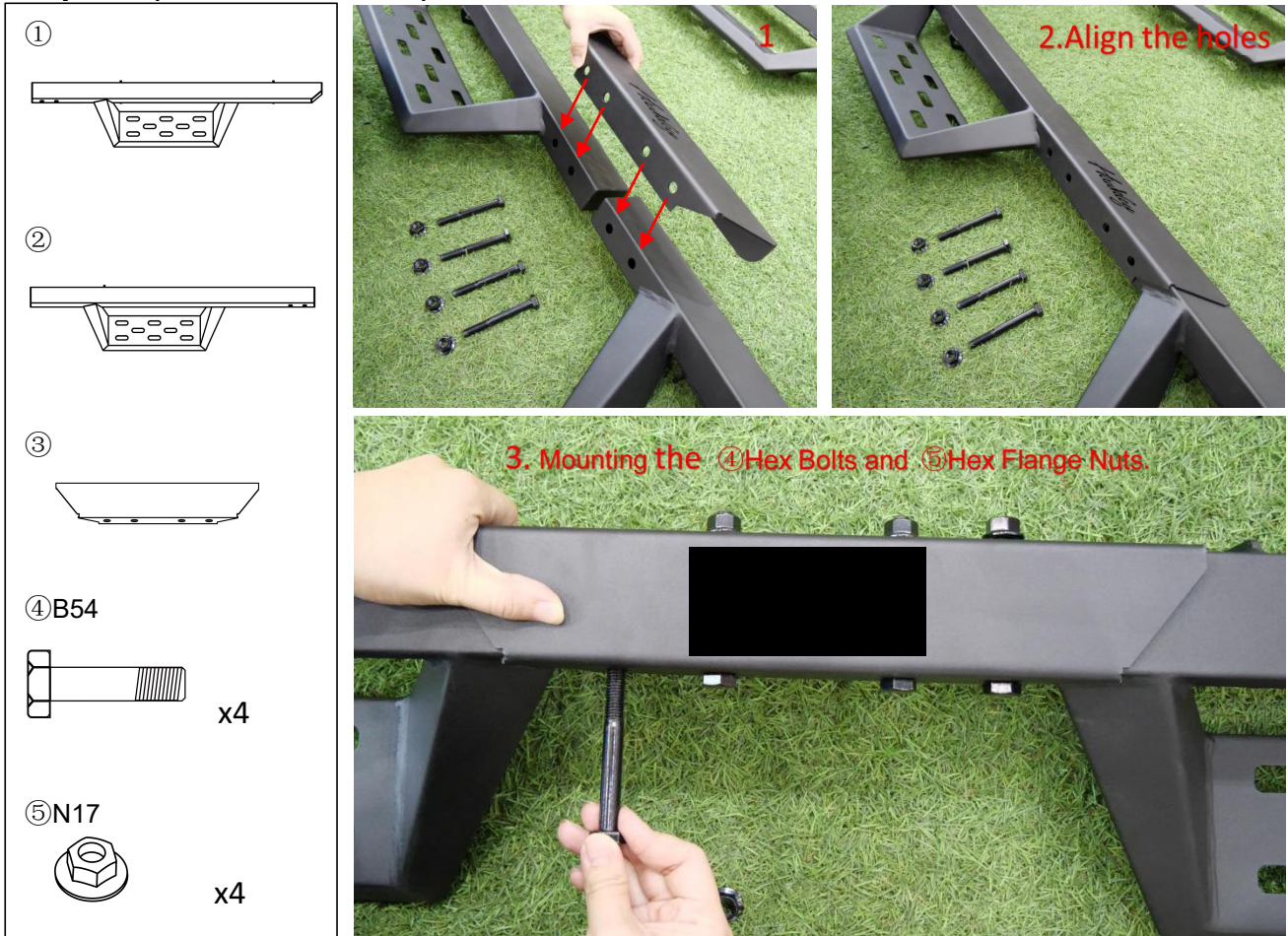
Parts NO.	Parts Name	Size	Line Graph	Qty	Color
B42	Hex Flange Bolts	M8x25-8.8		31	Blue Zinc Plating
W31	Flat Washer	Φ8x24x2		31	Blue Zinc Plating
N25	Hex Flange Nuts	M8		31	Blue Zinc Plating
B54	Hex Bolts	M10x80-8.8		9	Dacro Black
N17	Hex Flange Nuts	M10		15	Dacro Black
B44	Hex Bolts	M10x30		13	Blue Zinc Plating
W33	Flat Washer	Φ10x25x2		13	Blue Zinc Plating
W32	Spring Washer	Φ10		13	Blue Zinc Plating

**\*Note: Spare parts such as B42, W31, N25, B54, N17, B44, W33 and W32 are provided with 1PCS each (included in the number of parts details).**

# Installation Instructions

**Step 1:** Open the carton and take out the parts. Check whether the number of components is complete.

**Step 2:** Splice the Side Step.

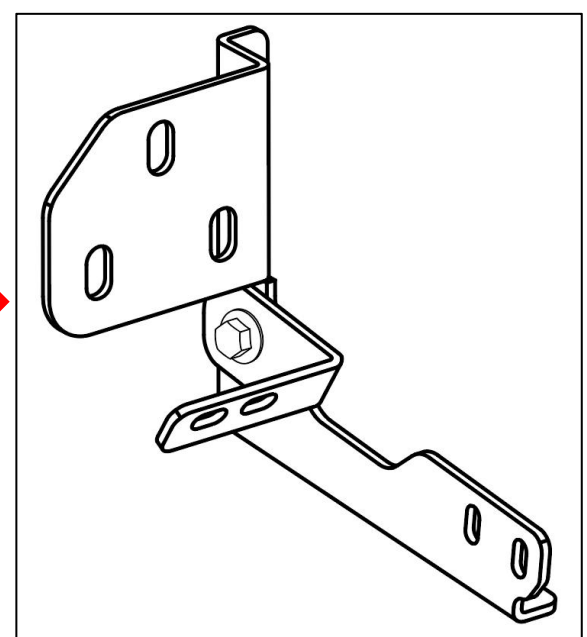
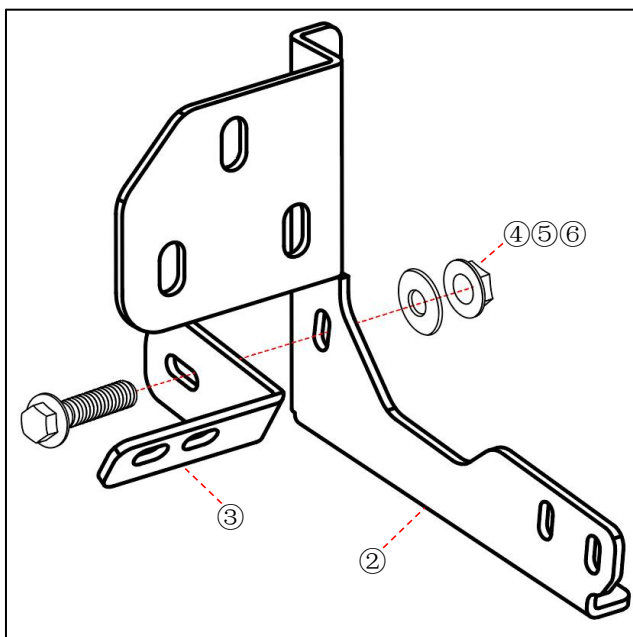
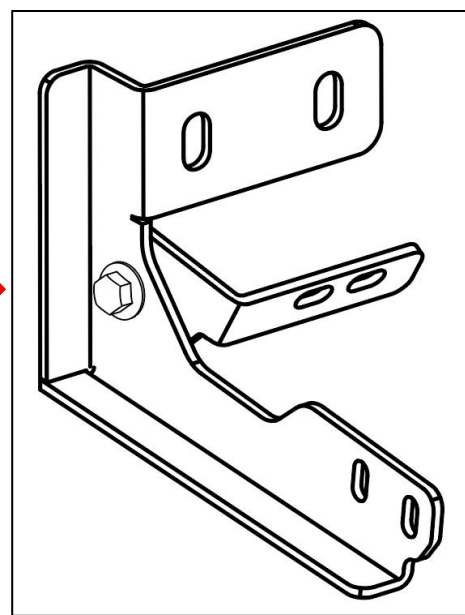
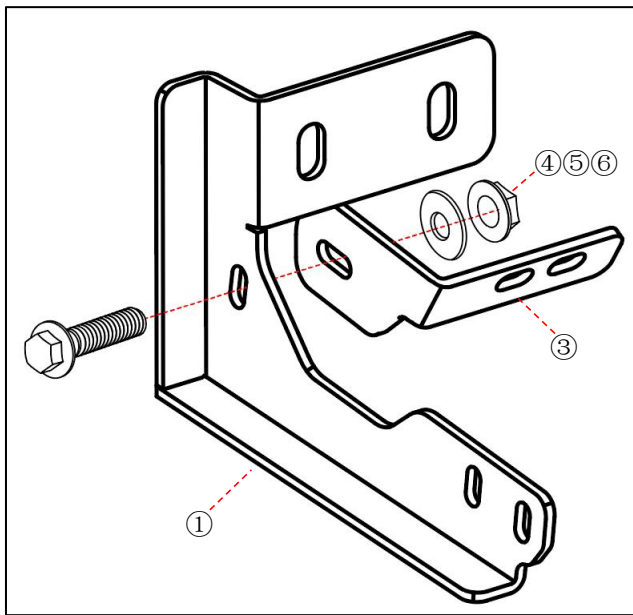
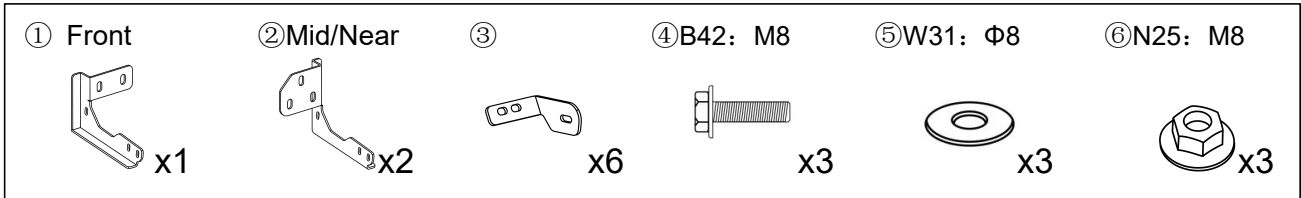


**NOTICE:** Before installing the Side Step on to the car, please ensure that the connecting bolts on the Side Step are all tightened.

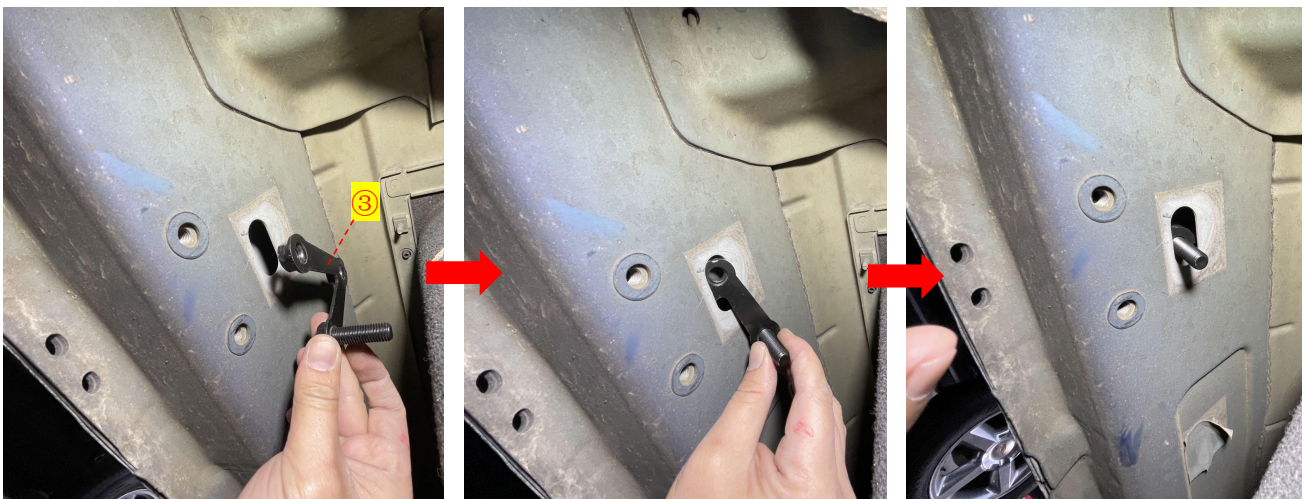
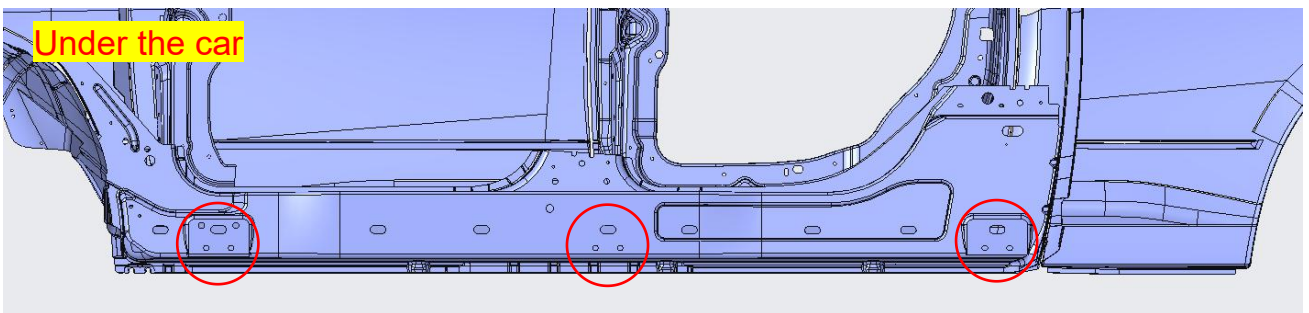
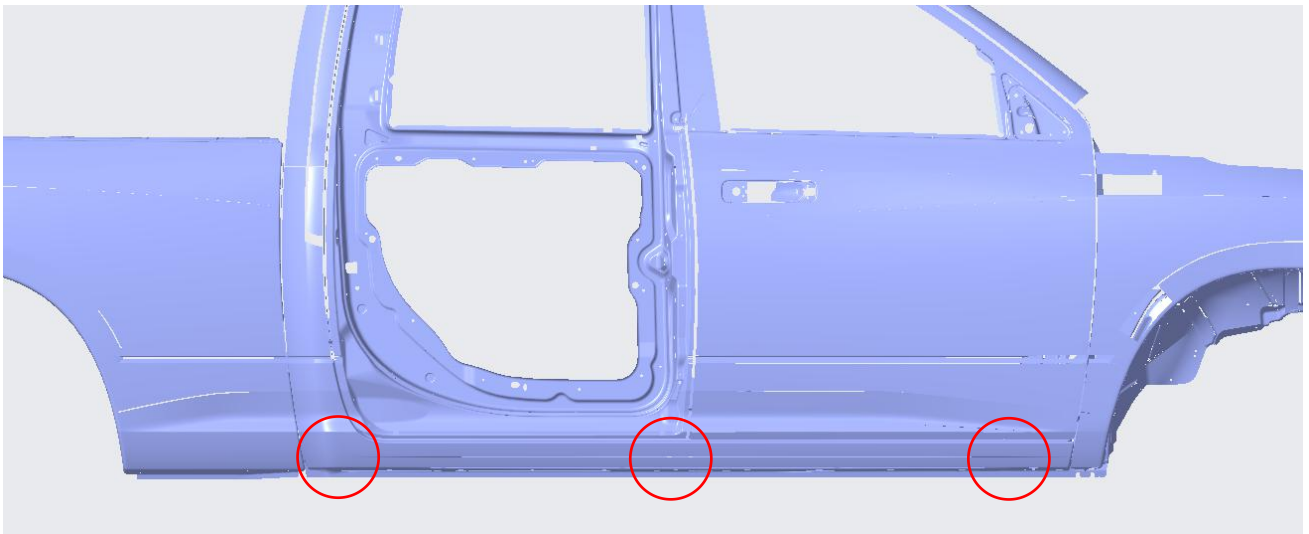
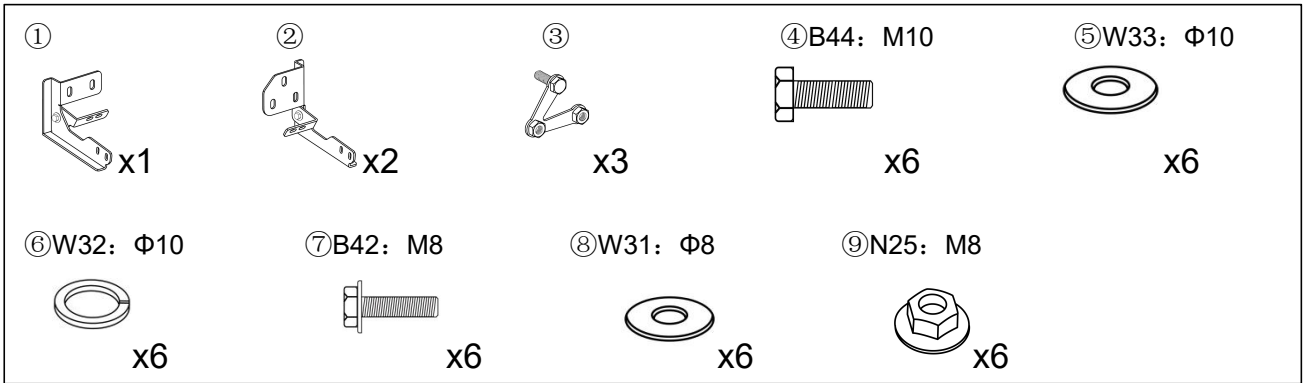


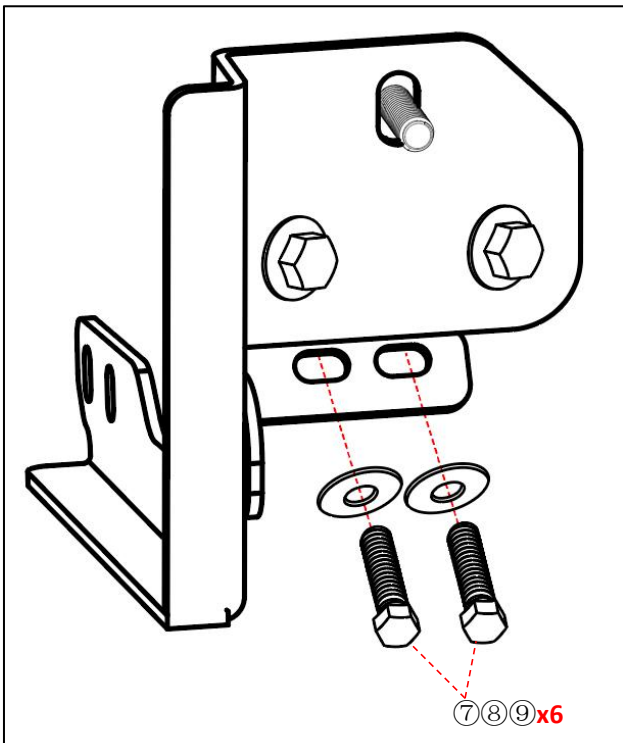
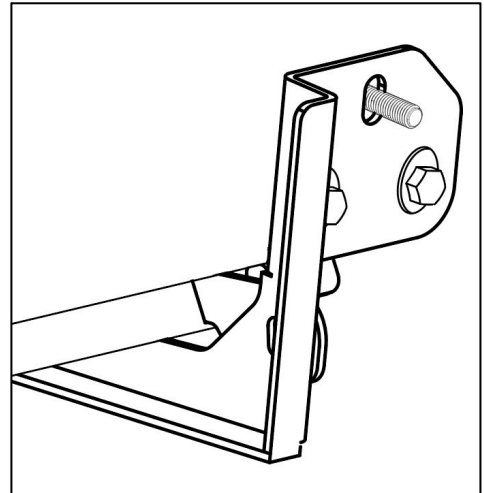
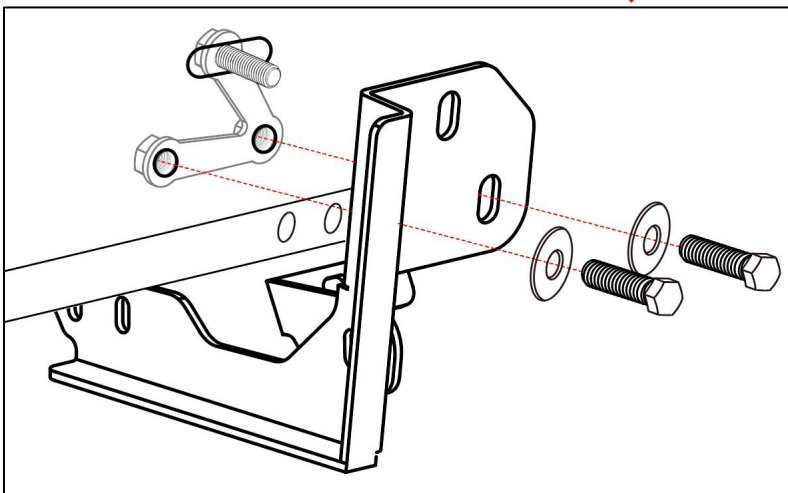
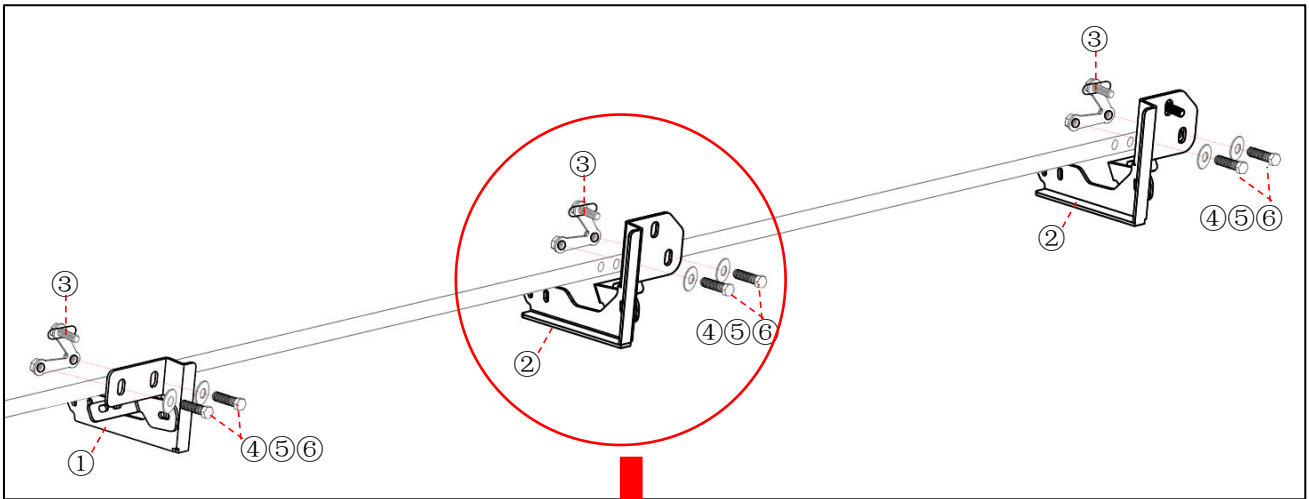
**Step 3:** Remove the original side skirt and clean the surface of the rocker panel to ensure it is free of dust, dirt, and debris.

**Step 4:** Install the Basket and Support Baskets, do not tighten the bolts.



### Step 5: Install the Basket.

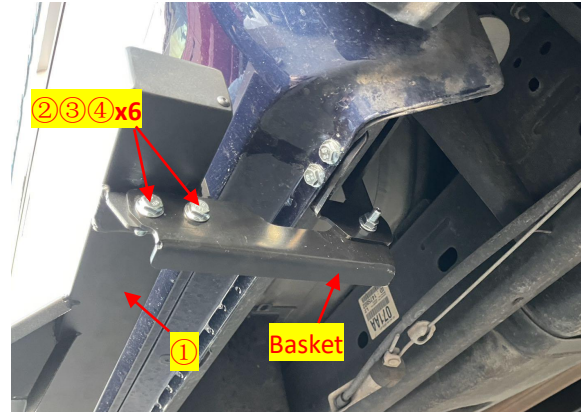
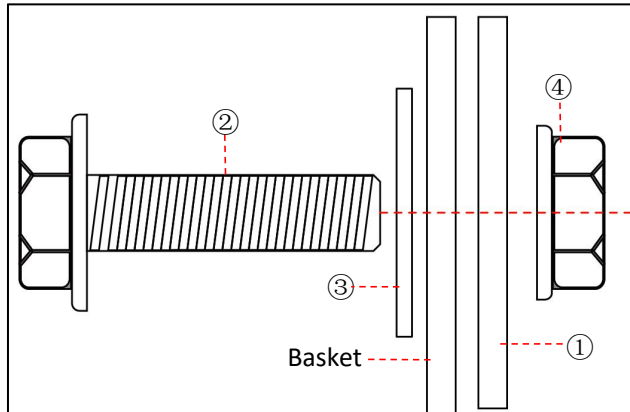
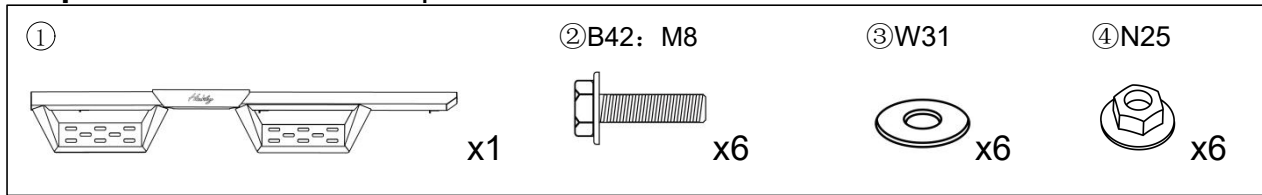




**NOTICE:** Please install the Original Bolts aligned with the Bracket holes according to the bottom of the car. Do not tighten the Bolts.



**Step 6: Install the Side Step.**



**NOTICE:** Do not tighten the bolts in this step.

**Step 7:** Adjust the balance of the Side Step and the car side, and tighten the corresponding bolts.

**Step 8:** Adjust the balance of the pedal to the ground and tighten the corresponding bolts.

**Tips:** Use a stretch ruler to measure and balance the left and right sides of the pedal. Please ensure that the pedal has the same distance to the ground on both sides.

**Step 9:** Installation of a Side Step is complete. Please do periodic inspections of the Side Step to make sure that all hardware is secure and tight.

