

REAR BUMPER

— User Manual —

2009-2018 Ram 1500



NRM01B105



NRM01B106

Model:	NRM01B105	NRM01B106
Material:	Q235A	Q235A
Product Dimensions:	77.2 x 18.5 x 11.6 inch	79 x 15.5 x 9 inch
Package Dimensions:	34.8 x 20.7 x 9.1 inch	34.8 x 20.7 x 9.1 inch
Product Weight:	75 lbs	75 lbs

※ Thank you for purchasing the REAR BUMPER. Please read this manual carefully and keep it properly if you need to refer to it afterward. If you need any support or assistance, please contact us with your product model number and order number, and our support team will help you solve problems.





⚠ WARNING

※ This product is designed primarily to enhance the appearance of the vehicle. Do not rely in any way on the components of this product to protect against injury or death in the event of an accident. To reduce the risk of serious injury or property damage, please read all safety messages and understand all instructions and procedure notices before attempting to install or use this product.

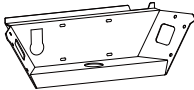


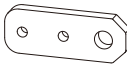




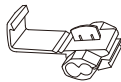


⚠ CAUTION


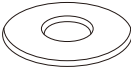
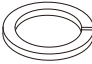
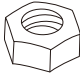
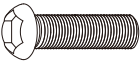

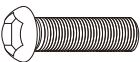
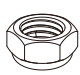
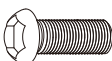
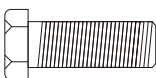



※ Properly torque and recheck fasteners and security of step tread after 250 miles and inspect frequently. Do not use if damaged.

REQUIRED TOOLS

Socket 	Ratchet 	Wrench 	Allen Wrench 	Safety Glasses 
---	--	---	--	---

Parts Information

NO.	Parts Name	Size	Line Graph	Qty	Color	
①	/	Mid Bumper	/		1	Black
②	105	Side Wings	/	 or 	1	Black
	106		/			
③	/	Trailer Hitch	/		2	Black
④	/	License Plate Lights	/		2	Black
⑤	/	License Plate Light Wire Harness	2x0.75mm		2	/
⑥	/	Led lights	4inch		2	/
⑦	/	Cable Wires	2x0.75mm		2	/
⑧	/	Wire Connector Clips	/		8	/
⑨	/	Shackles	/		2	Blue Zinc Plating
⑩	/	Zip ties	/		10	Black

NO.		Parts Name	Size	Line Graph	Qty	Color
⑪	B35	Hex Bolts	M10x35		5	Dacro Black
⑫	W23	Flat Washer	Φ10x25x2		9	Dacro Black
⑬	W22	Spring Washer	Φ10		5	Dacro Black
⑭	N15	Hex Nuts	M10		5	Dacro Black
⑮	B15	Half Head Allen Bolts	M8x20		9	Dacro Black
⑯	N14	Hex Flange Nuts	M8		9	Dacro Black
⑰	B74	Half Head Allen Bolts	M6x35		5	Dacro Black
⑱	N11	Hex Lock Nuts	M6		5	Dacro Black
⑲	B06	Half Head Allen Bolts	M6x15		3	Dacro Black
⑳	B75	Hex Bolts	M12x45		5	Blue Zinc Plating
㉑	W28	Flat Washer	Φ12x30x3		5	Blue Zinc Plating
㉒	W29	Spring Washer	Φ12		5	Blue Zinc Plating
㉓	N24	Hex Nuts	M12		5	Blue Zinc Plating

NOTE:

Spare parts such as B35、 W22、 W23、 N15、 B15、 N14、 B74、 N11、 B06 、 B75、 W29、 W28 and N24 are provided with 1PCS each (included in the number of parts details).

Installation Instructions

※**NOTE:** This installation manual takes one of the models as an example.

Step 1: Open the carton and take out the parts. Check whether the number of components is complete.

Removal >>>

WARNING! Place blocks or jack stands under the bumper to support it during mounting bolt removal. Assistance is highly recommended to remove the bumper.

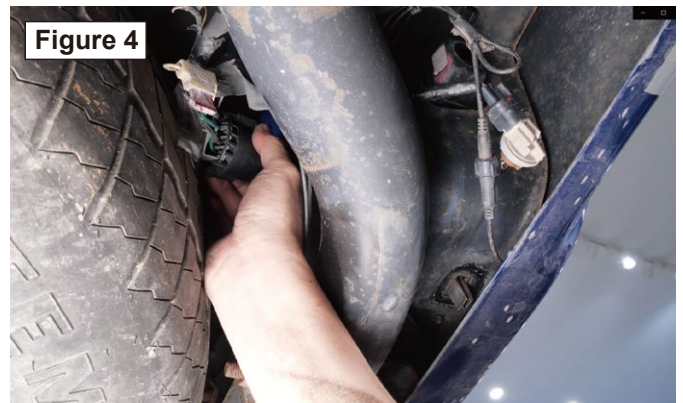
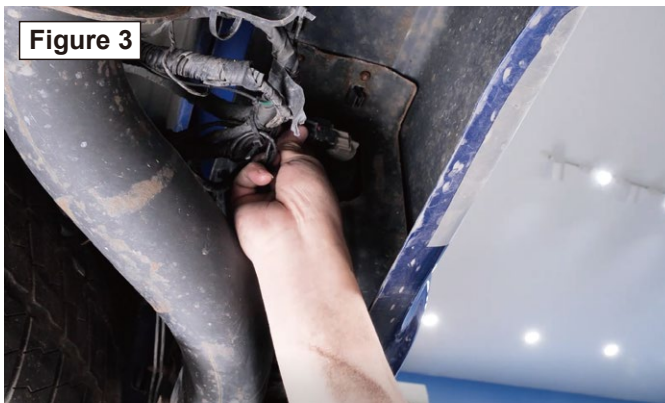
Step 2: Remove the license plate and the two factory bolts behind the license plate. **(Figure 1)**

Step 3: Using a 18mm socket/wrench remove the two bolts on the back of the license plate. **(Figure 2~3)**



Step 4: Unplug two license plate light plugs. **(Figure 3)**

Step 5: Unplug the trailer plug. **(Figure 4).**



Step 6: Using a 16mm socket/wrench remove the bolts from the bumper support brackets on each side. **(Figure 5~6).**



Step 7: Pull bumper straight out from vehicle. **(Figure 7~8).**



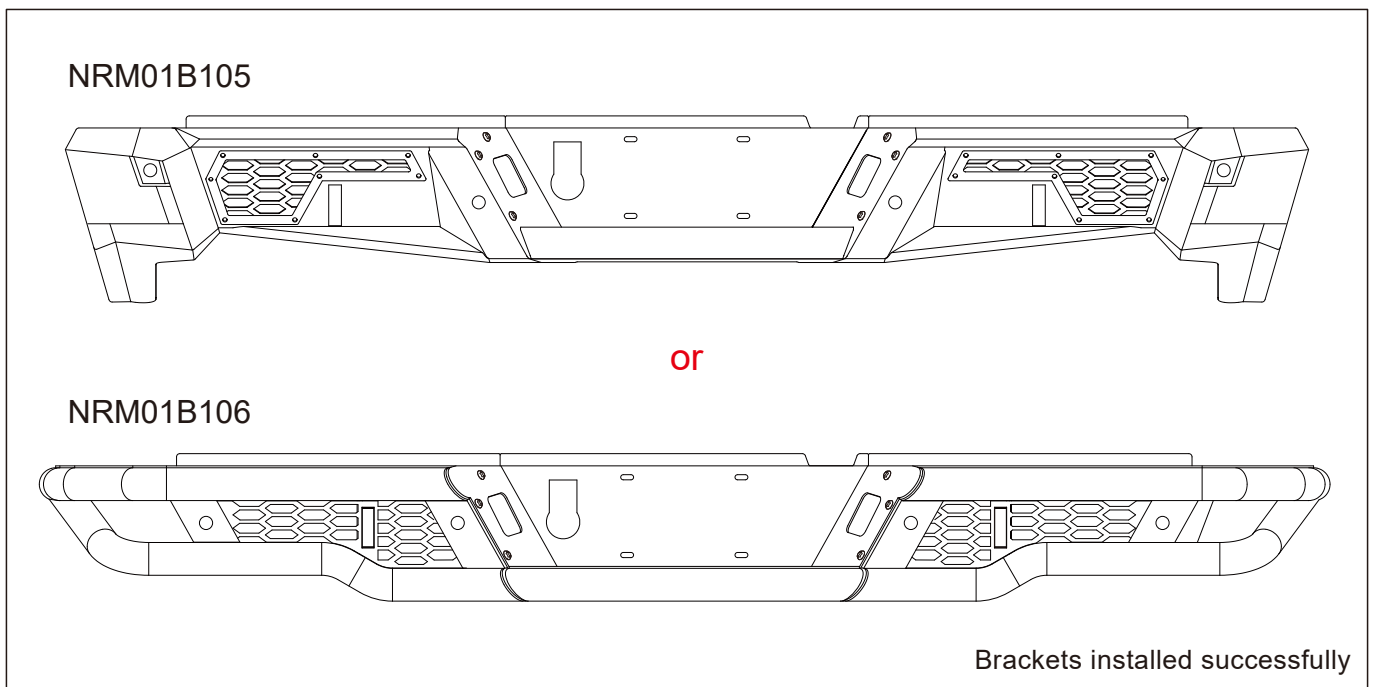
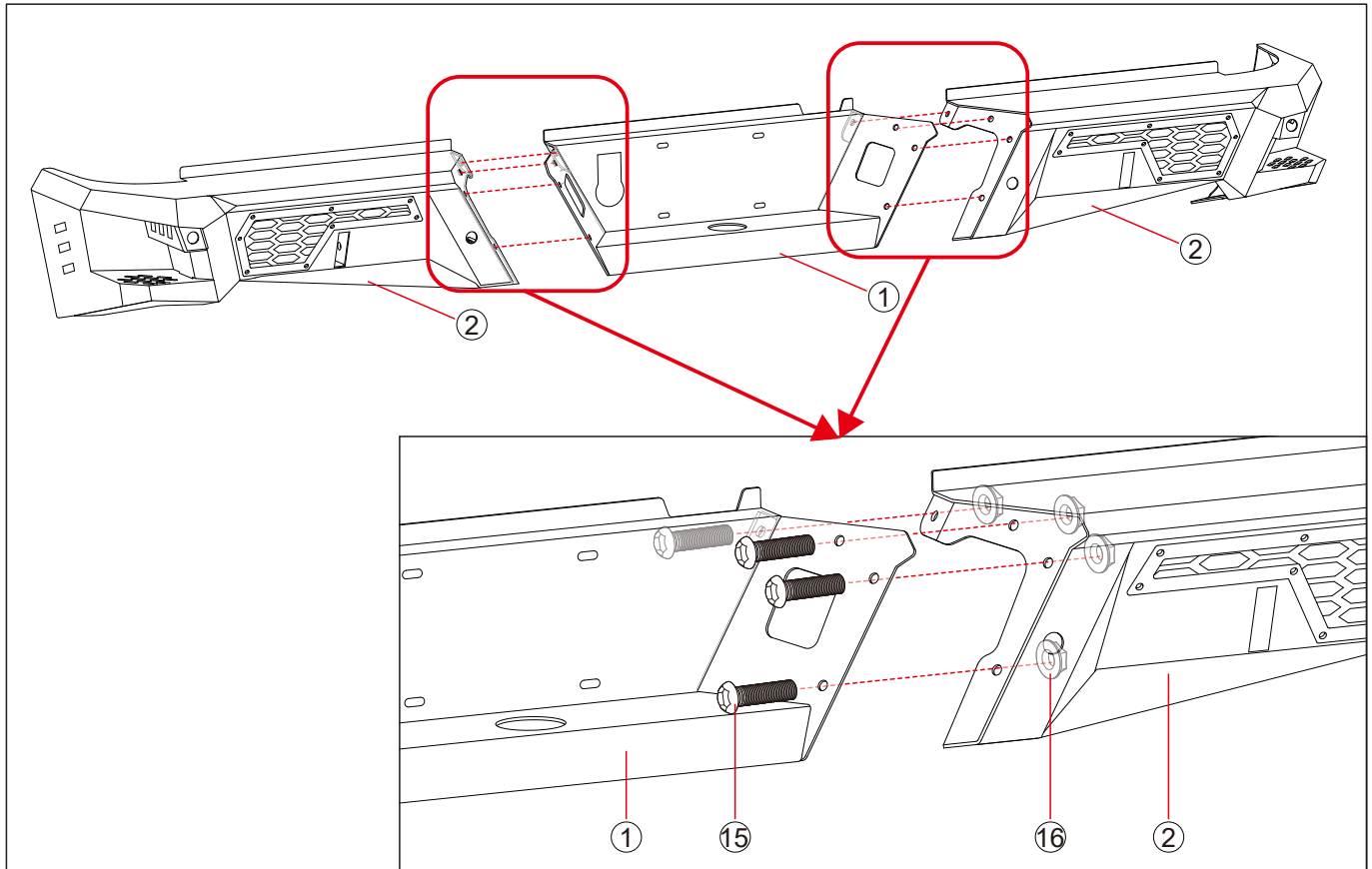
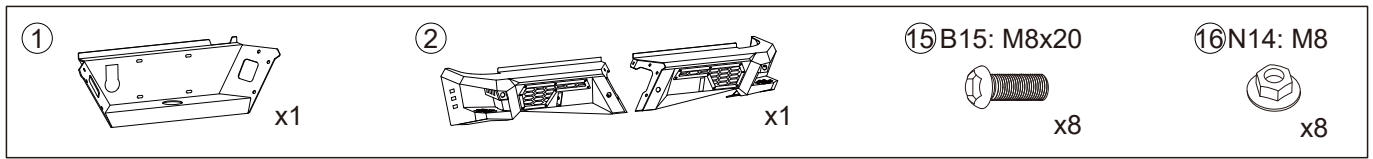
Step 8: Compress the locking tabs on the trailer light plug and remove from the bumper. **(Figure 9~10).**



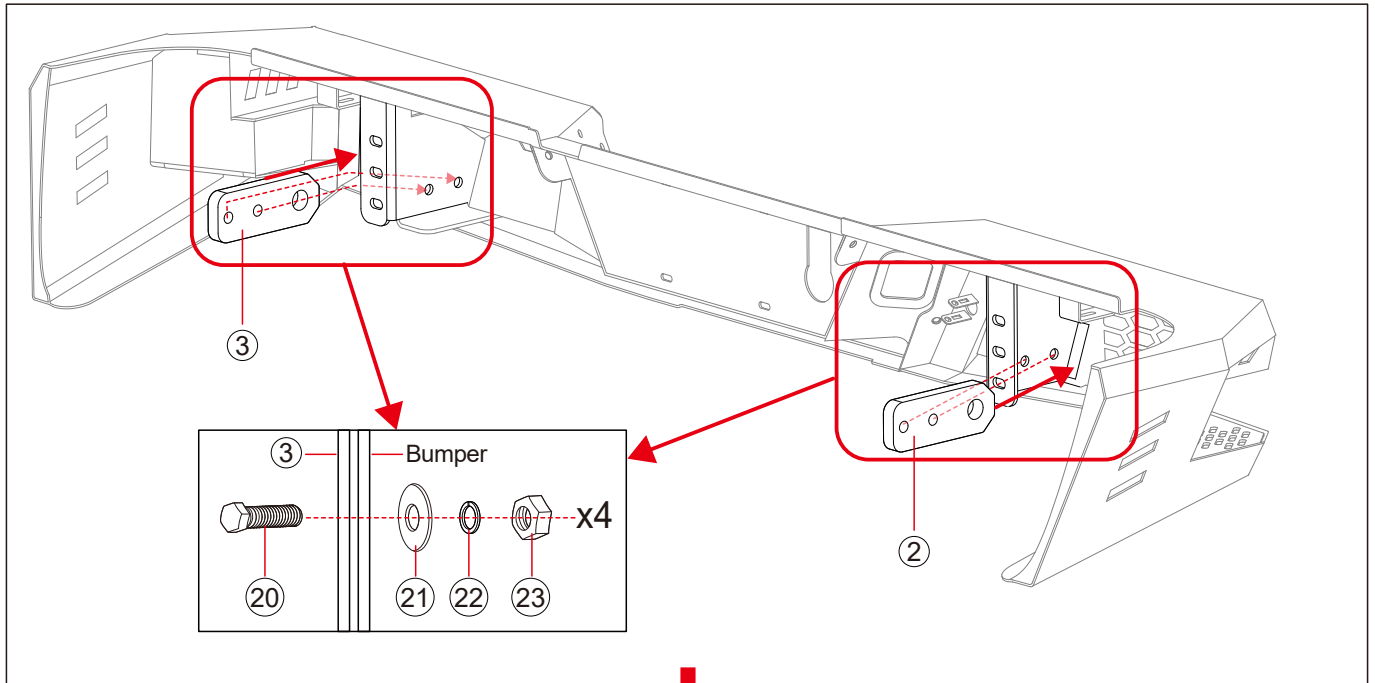
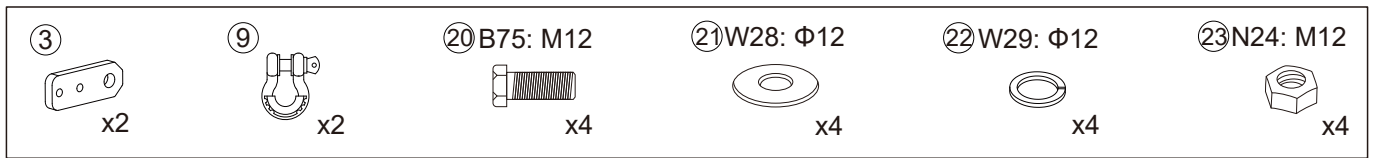
Step 9: If your car is equipped with parking sensors, you'll need to remove them for subsequent installation on the new bumper.

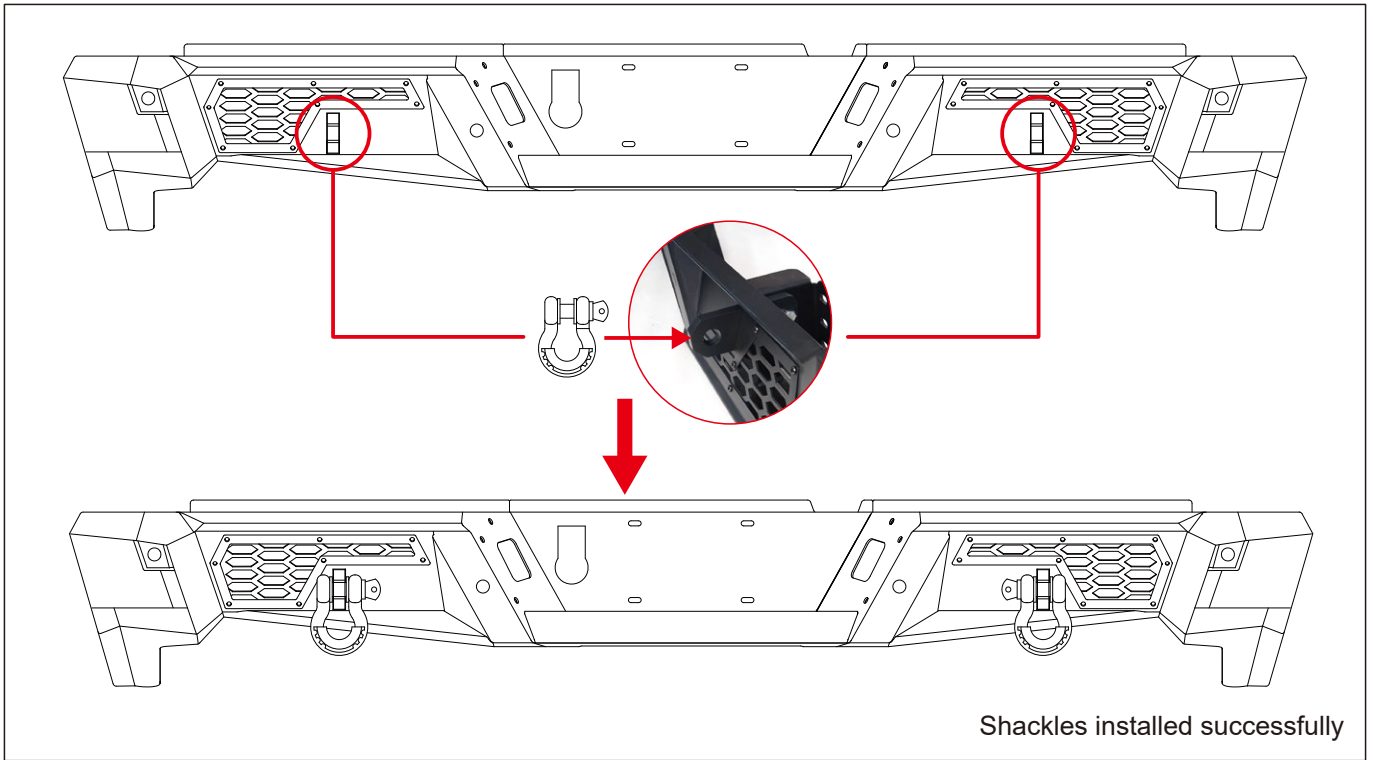
Install rear bumper >>>

Step 10: Install the Bumper.

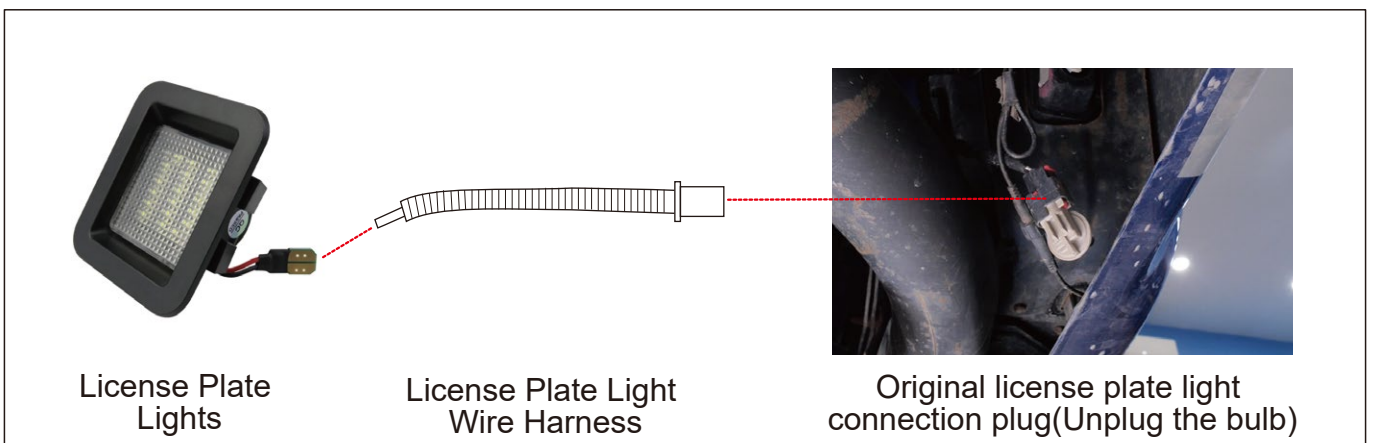


Step 11: Install the Trailer Hitch and Shackles.






Step 12: Install the License Plate Lights.



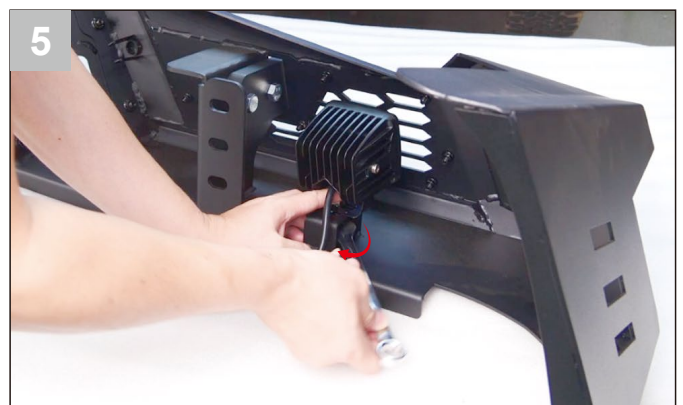
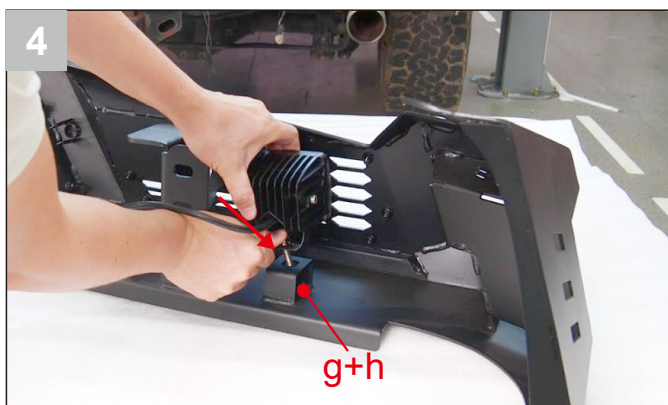
Step 13: Install the 4 Inch Led Light.

4 Inch Led Light Parts

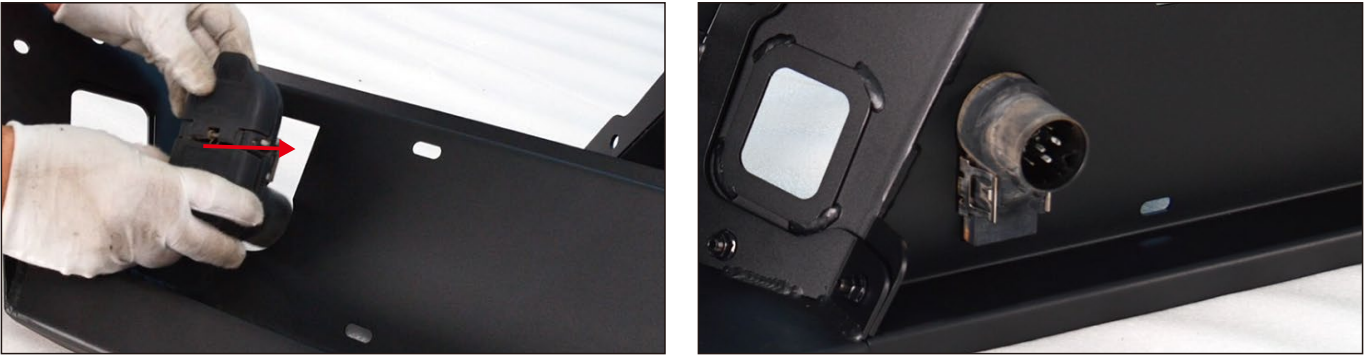
	ax2
	bx2
	cx4
	dx4
	ex1
	fx2
	gx2
	hx2



Assemble the 4 Inch LED light

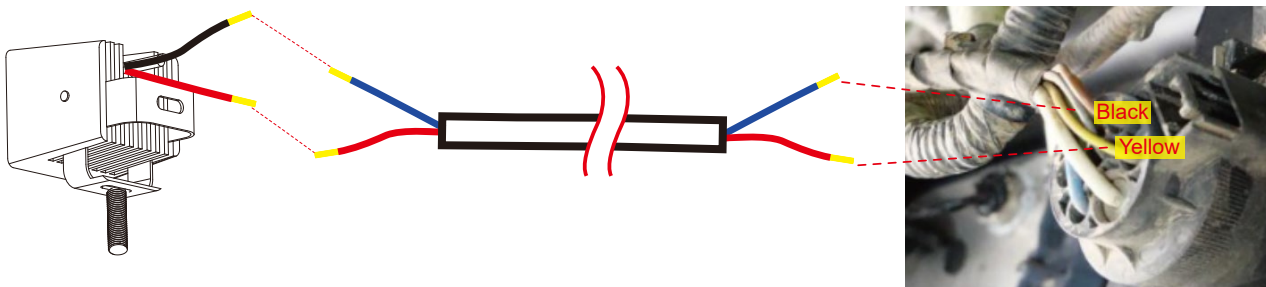
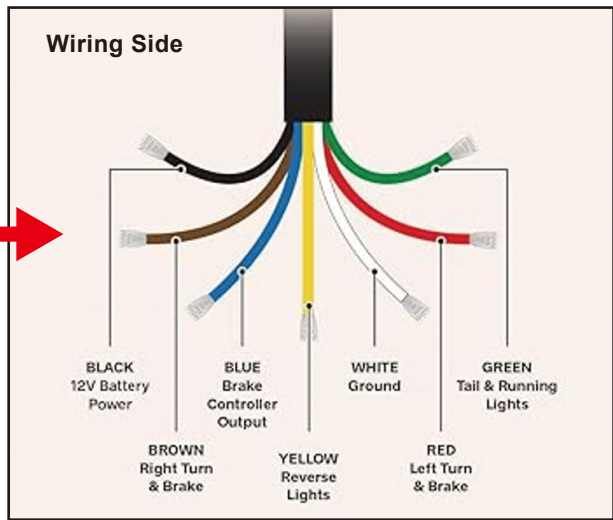
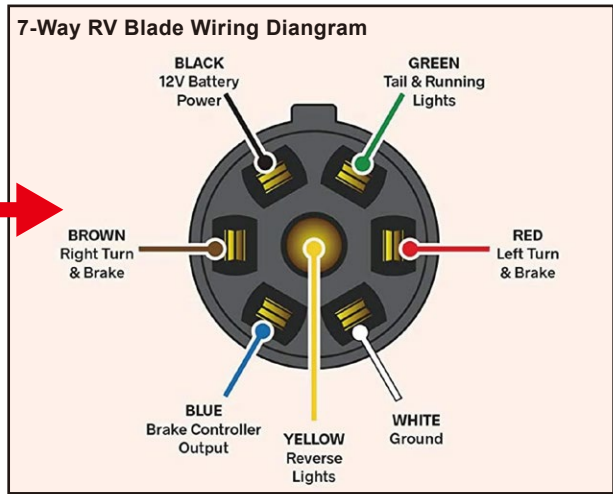


Step 14: Install the original 7-way trailer plug wiring harness.



Step 15: Connect the Trailer plug wiring, 4inch Led lights and ⑦ Cabel wires.

7-Way Connector Wiring/Function Diagram



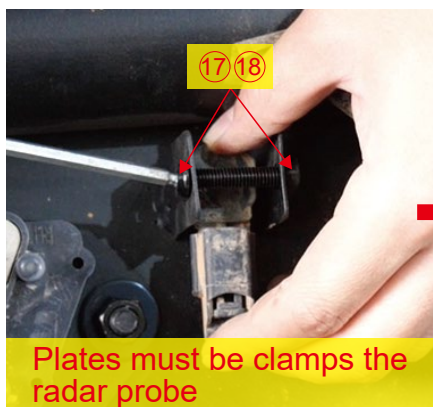
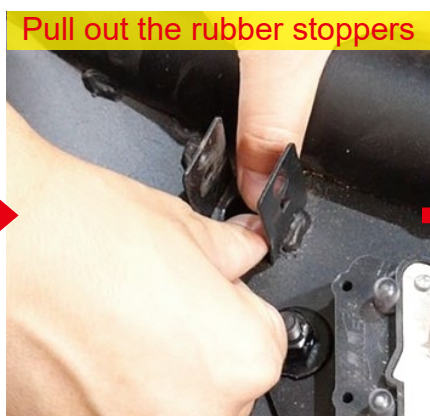
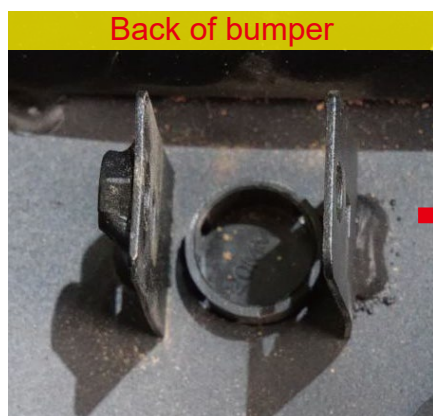
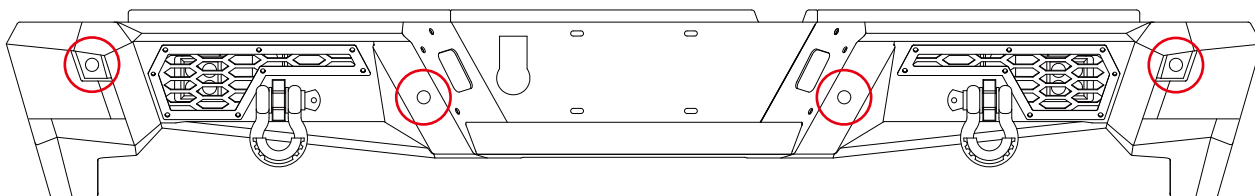
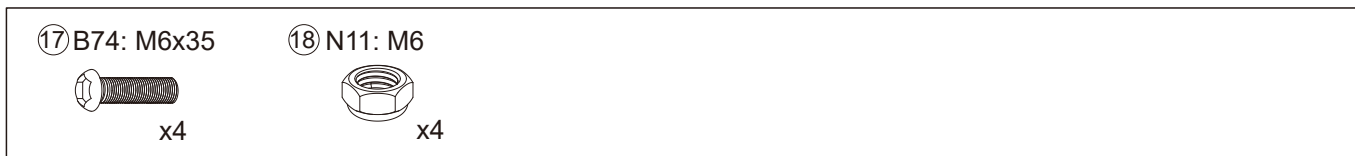
4inch Led light

Cabel wire





Trailer plug wiring

Step 16: Install the parking sensor.

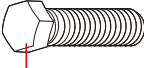




Note: If the car does not have a parking sensor, this step can be ignored.



Step 17: Install the Rear Bumper.

⑪ B35: M10x35	⑫ W23: $\Phi 10$	⑬ W22: $\Phi 10$	⑭ N15: M10
 x4	 x8	 x4	 x4



Car		Rear Bumper		
				 x4
⑪ B35	⑫ W23	⑫ W23	⑬ W22	⑭ N15

Step 18: The rear bumper is installed.

