

# FRONT BUMPER

## Bull Bar

————— User Manual —————

2013-2018 Ram 1500 Pickup Truck Excluding Rebel  
2019-2023 Dodge Ram 1500 Excluding Warlock



Model:	NRM01A104-3A
Material:	Q235A
Product Dimensions:	5.9 x 5.9 x 34.3 inch
Package Dimensions:	49.4 x 4.4 x 7.5 inch
Product Weight:	8.8 lbs

---

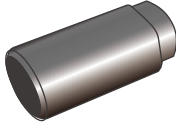
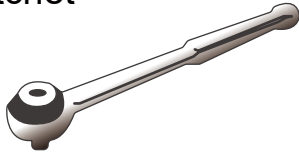
※ Thank you for purchasing the FRONT BUMPER Bull Bar. Please read this manual carefully and keep it properly if you need to refer to it afterward. If you need any support or assistance, please contact us with your product model number and order number, and our support team will help you solve problems.

**⚠ WARNING**

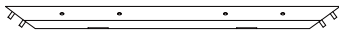
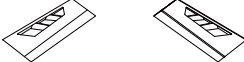
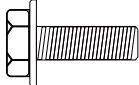
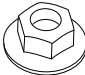
※ This product is designed primarily to enhance the appearance of the vehicle. Do not rely in any way on the components of this product to protect against injury or death in the event of an accident. To reduce the risk of serious injury or property damage, please read all safety messages and understand all instructions and procedure notices before attempting to install or use this product.

**⚠ CAUTION**

※ Properly torque and recheck fasteners and security of step tread after 250 miles and inspect frequently. Do not use if damaged.

<b>REQUIRED TOOLS</b>	Socket	
	Ratchet	

## Parts Information

NO.	Parts Name	Size	Line Graph	Qty	Color
/	Bull Bar Connector	/		1	Black
/	Left/Right Bull Bar	/		1	Black
B22	Hex Flange Bolts	M8x25		5	Dacro Black
N14	Hex Flange Nuts	M8		5	Dacro Black

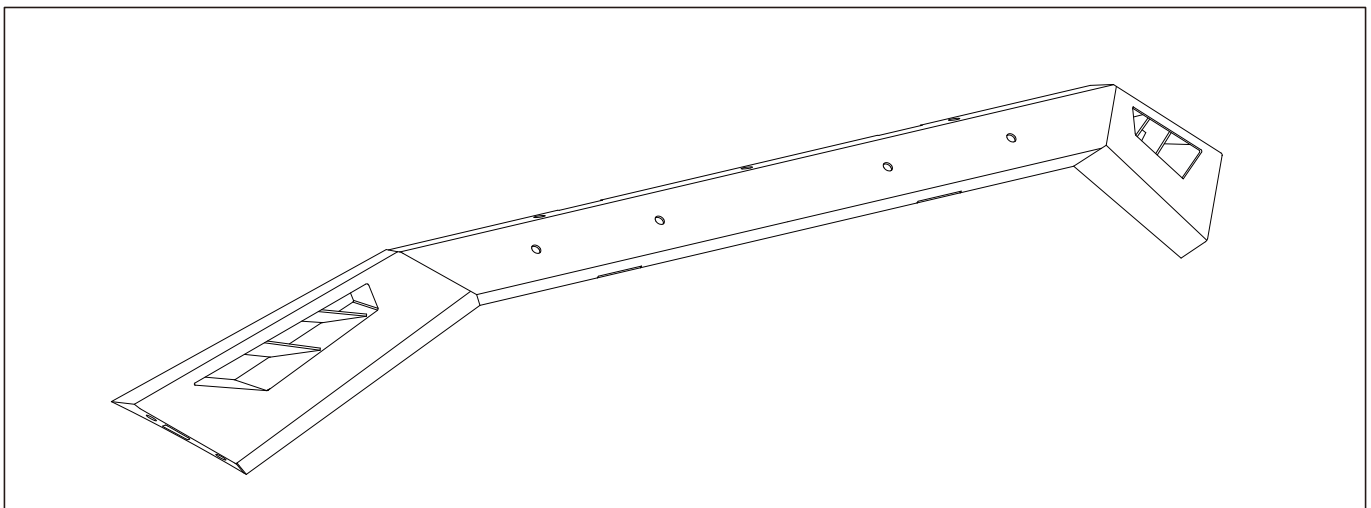
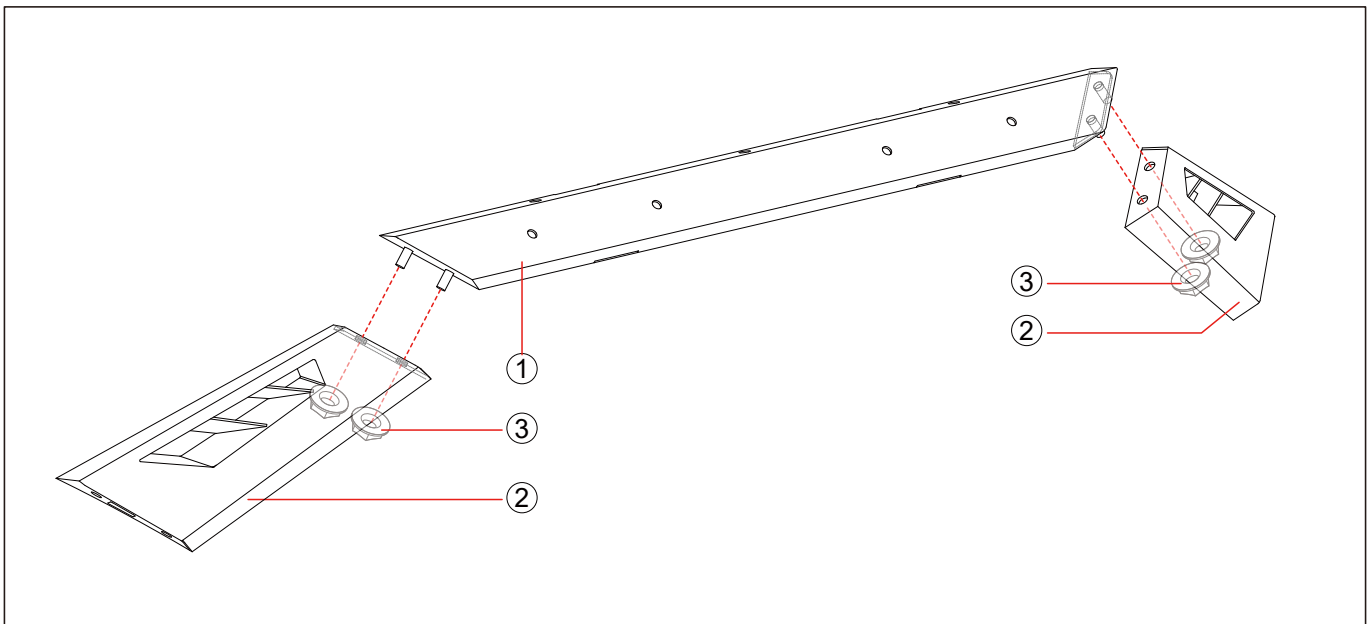
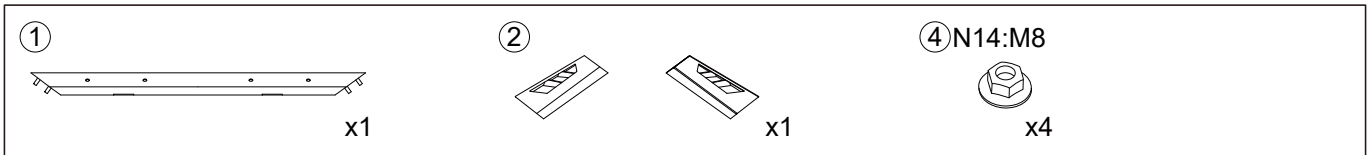
※Note:

Spare parts such as B22、 N14 are provided with 1PCS each (included in the number of parts details).

# Installation Instructions

**Step 1:** Open the carton and take out the parts. Check whether the number of components is complete.

**Step 2:** Splicing the Bull Bar.



### Step 3: Install the Bull Bar.

