

FRONT BUMPER SIDE WINGS

————— User Manual —————

2013-2018 Ram 1500 Pickup Truck Excluding Rebel
2019-2023 Dodge Ram 1500 Excluding Warlock



Model:	NRM01A104-2A
Material:	Q235A
Product Dimensions:	34.6 x 21.3 x 11 inch
Package Dimensions:	22.7 x 26.1 x 16 inch
Product Weight:	43 lbs

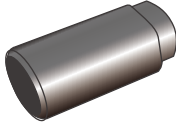
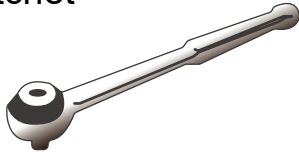
※ Thank you for purchasing the FRONT BUMPER Side Wings. Please read this manual carefully and keep it properly if you need to refer to it afterward. If you need any support or assistance, please contact us with your product model number and order number, and our support team will help you solve problems.

⚠ WARNING


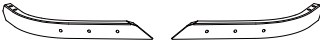



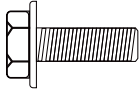
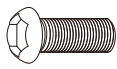
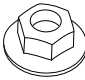

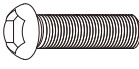

※ This product is designed primarily to enhance the appearance of the vehicle. Do not rely in any way on the components of this product to protect against injury or death in the event of an accident. To reduce the risk of serious injury or property damage, please read all safety messages and understand all instructions and procedure notices before attempting to install or use this product.

⚠ CAUTION

※ Properly torque and recheck fasteners and security of step tread after 250 miles and inspect frequently. Do not use if damaged.

REQUIRED TOOLS	Socket	
	Ratchet	

Parts Information

NO.	Parts Name	Size	Line Graph	Qty	Color
/	Bumper L/R	/		1	Black
/	Bumper Cover L/R	/		2	Black
/	Plates L/R	/		2	Black
/	H-Rubber Strip	14x12mm		1	Black
/	4 Inch Ledlight	/		2	Black
B22	Hex Flange Bolts	M8x25		9	Dacro Black
B07	Half Head Allen Bolts	M6x20		15	Dacro Black
N09	Hex Flange Nuts	M6		15	Dacro Black
W37	Flat Washer	Φ6x24x2		3	Dacro Black
B46	Half Head Allen Bolts	M6x40		3	Dacro Black
N11	Hex Nuts	M6		3	Dacro Black

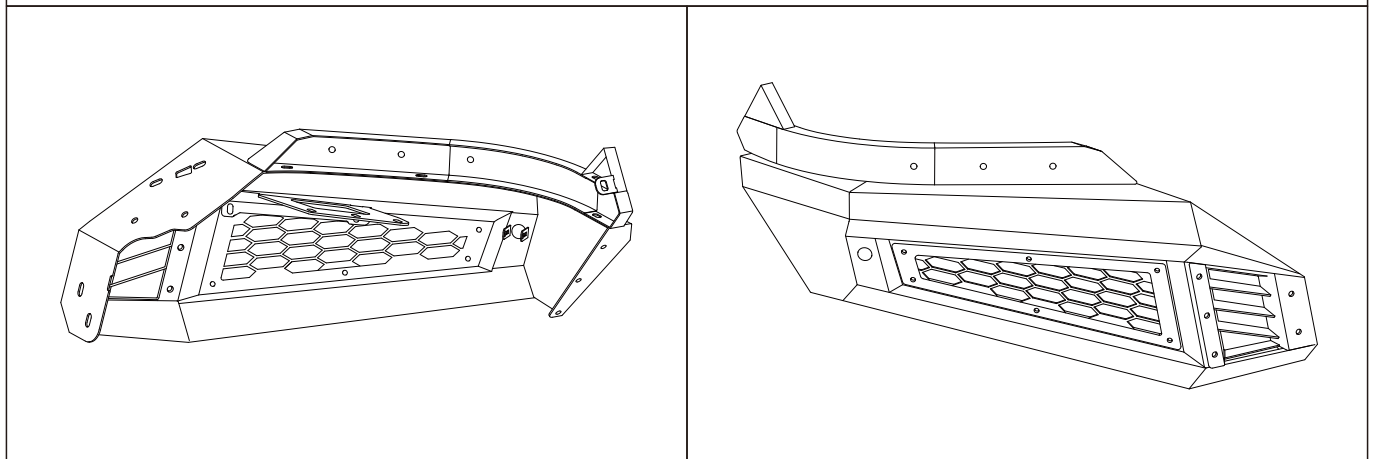
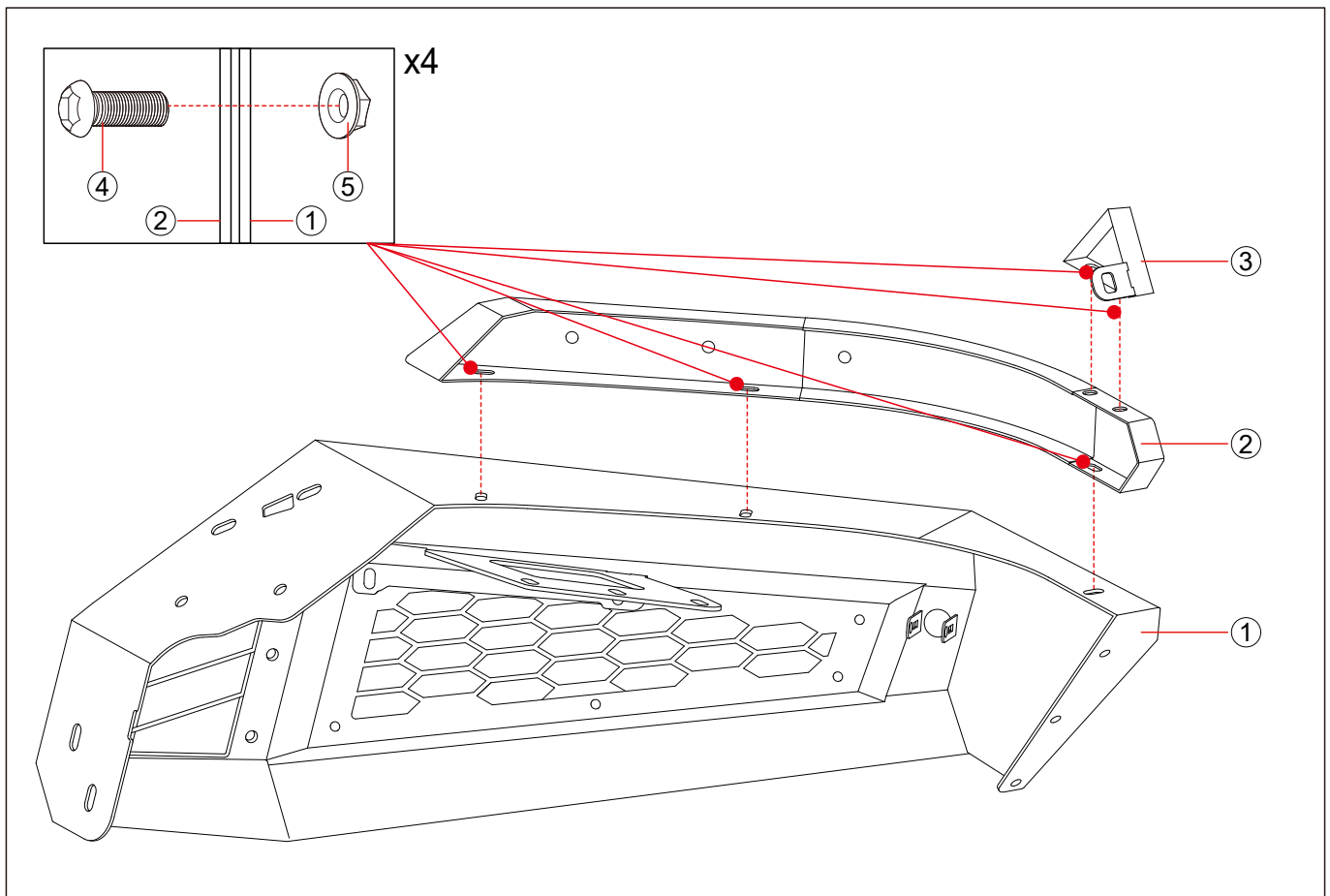
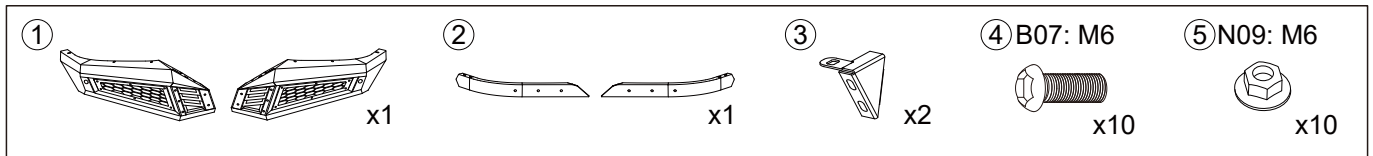
※**Note:**

Spare parts such as B22、 B07、 B09、 N09、 W37、 B46、 N11 are provided with 1PCS each (included in the number of parts details).

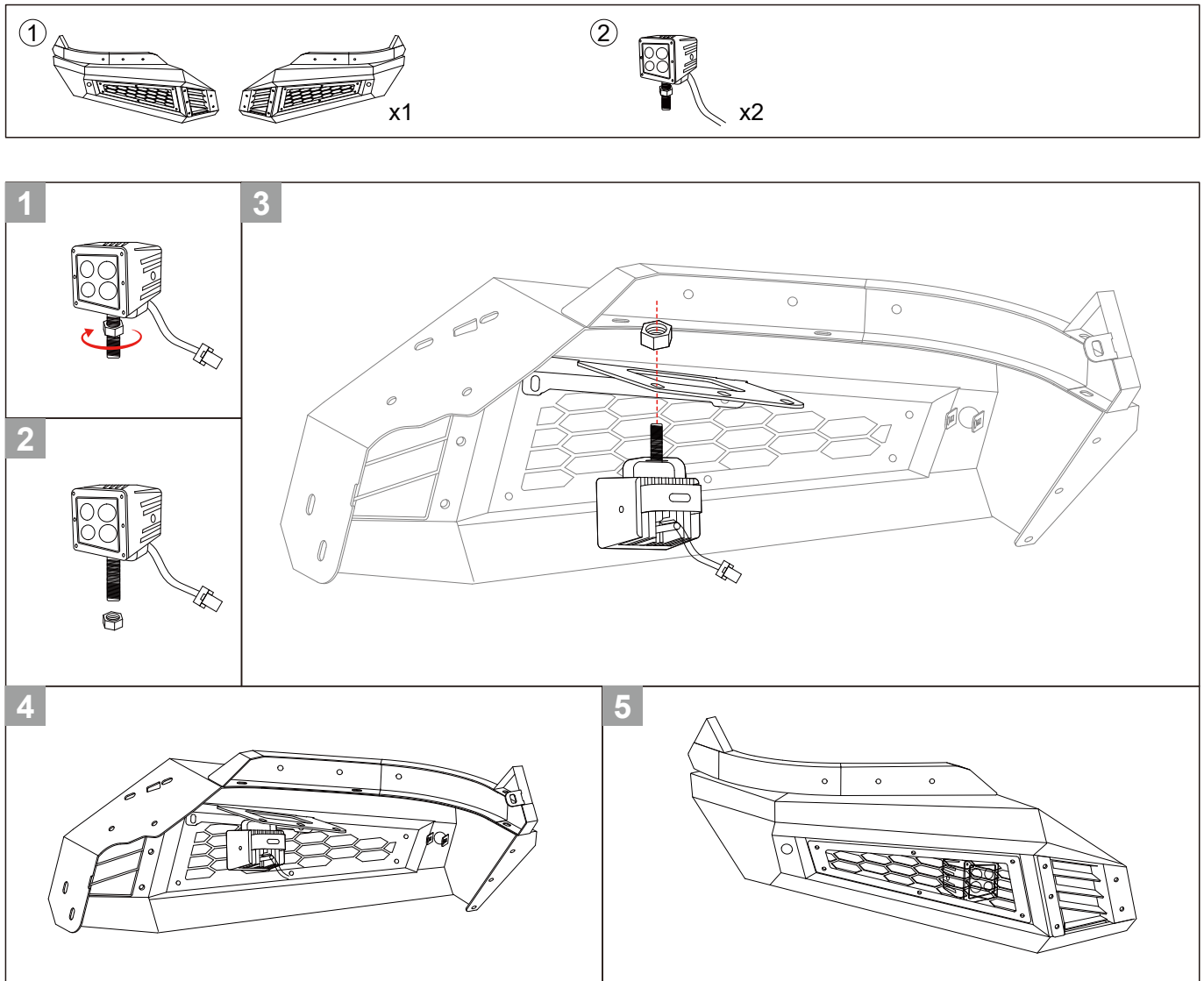
Installation Instructions

Step 1: Open the carton and take out the parts. Check whether the number of components is complete.

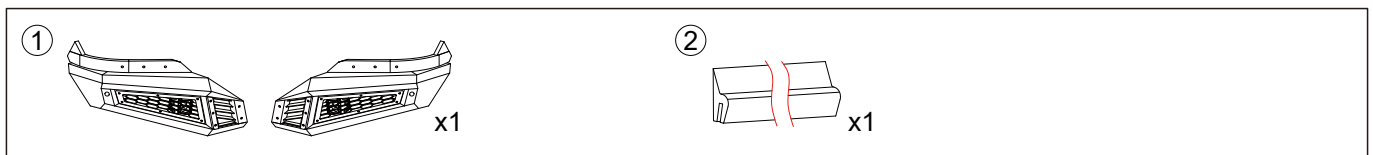
Step 2: Splicing the Side Wings.



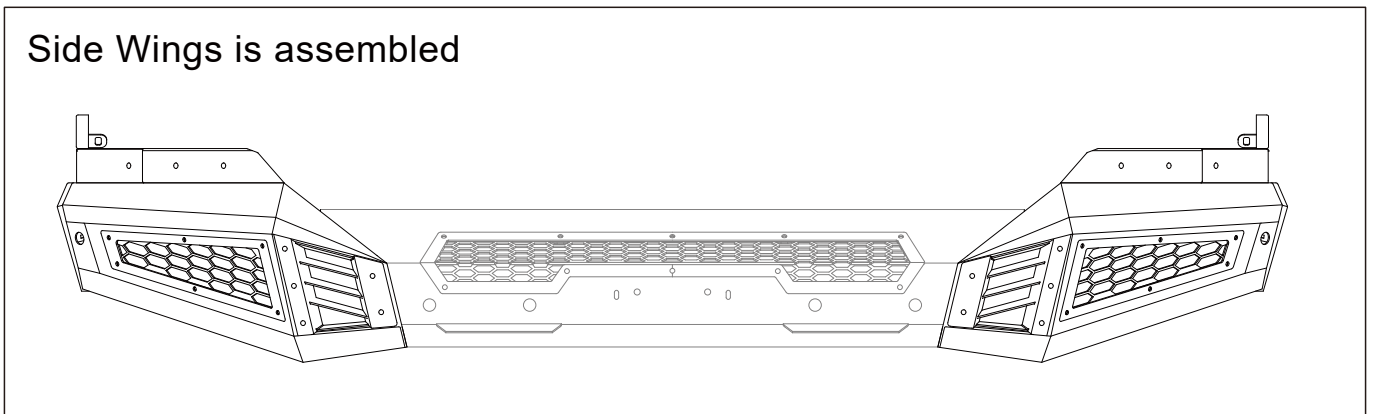
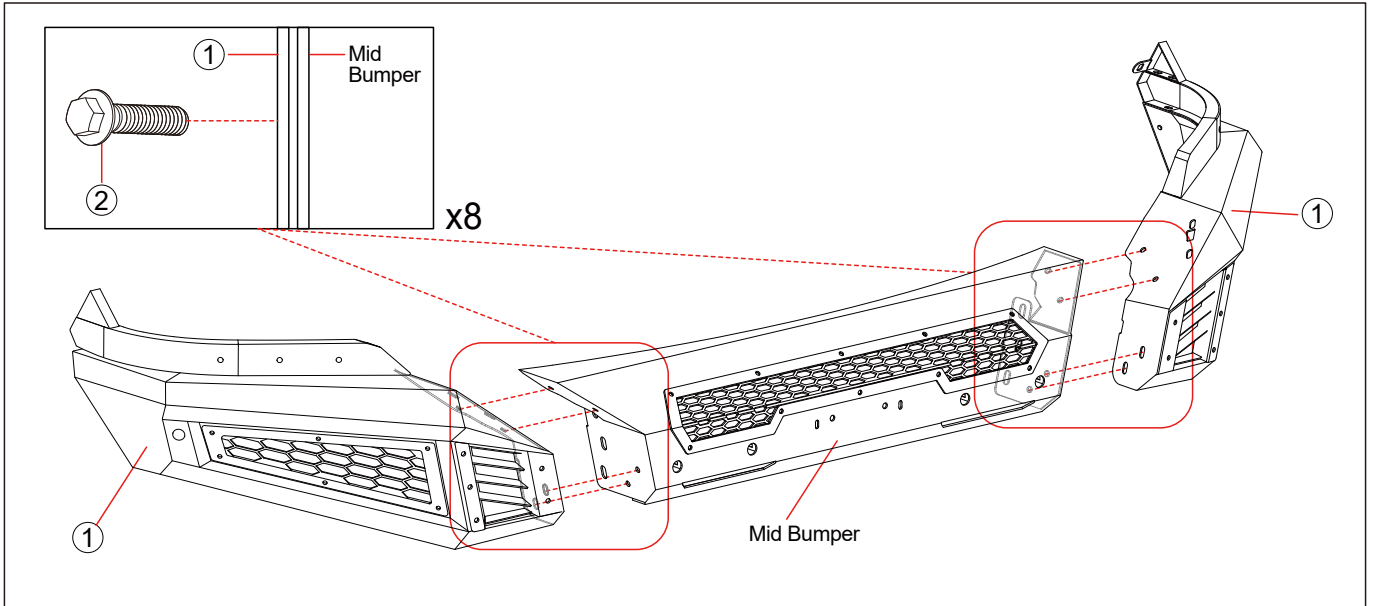
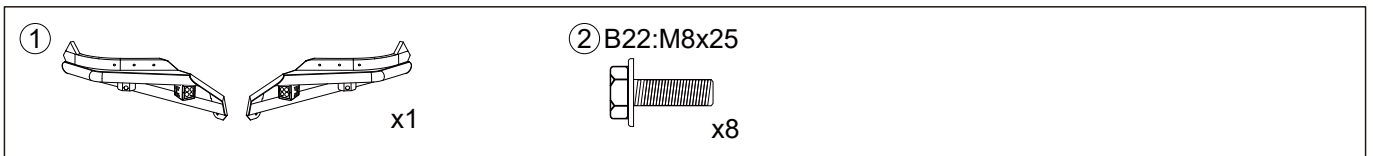
Step 3: Install the 4 Inch Ledlight.



Step 4: Install the H-Rubber Strip.



Step 4: Install the Side Wings.



Step 5: Install the Radar Probe.

Note: If the car does not have a radar probe, this step can be ignored.

