

FRONT BUMPER

Mid Bumper

————— User Manual —————

2013-2018 Ram 1500 Pickup Truck Excluding Rebel
2019-2023 Dodge Ram 1500 Excluding Warlock



Model:	NRM01A104-1A
Material:	Q235A
Product Dimensions:	48.8 x 12.2 x 10.6 inch
Package Dimensions:	45.6 x 8.6 x 9.2 inch
Product Weight:	42.8 lbs

※ Thank you for purchasing the FRONT BUMPER Mid Bumper. Please read this manual carefully and keep it properly if you need to refer to it afterward. If you need any support or assistance, please contact us with your product model number and order number, and our support team will help you solve problems.

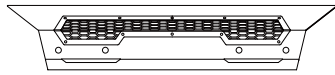
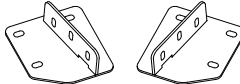

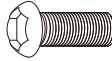
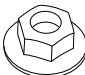


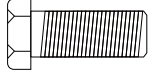
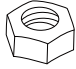
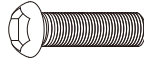

⚠ WARNING

※ This product is designed primarily to enhance the appearance of the vehicle. Do not rely in any way on the components of this product to protect against injury or death in the event of an accident. To reduce the risk of serious injury or property damage, please read all safety messages and understand all instructions and procedure notices before attempting to install or use this product.

⚠ CAUTION

※ Properly torque and recheck fasteners and security of step tread after 250 miles and inspect frequently. Do not use if damaged.

Parts Information

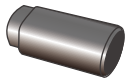
NO.	Parts Name	Size	Line Graph	Qty	Color
/	Bumper	/		1	Black
/	brackets	/		2	Black
/	License Bracket	/		1	Black
B15	Half Head Allen Bolts	M8x20		3	Dacro Black
N14	Hex Flange Nuts	M8		3	Dacro Black
W22	Spring Washer	Φ10		13	Dacro Black
W23	Flat Washer	Φ10x25x2		25	Dacro Black
B35	Hex Bolts	M10x35		13	Dacro Black
N15	Hex Nuts	M10		13	Dacro Black
B46	Half Head Allen Bolts	M6x40		5	Dacro Black
N11	Hex Lock Nuts	M6		5	Dacro Black

※Note:

Spare parts such as B15、 N14、 W22、 W23、 B35、 N15、 B46、 N11 are provided with 1PCS each (included in the number of parts details).

REQUIRED TOOLS

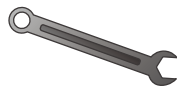
Socket



Ratchet



Wrench



Allen Wrench



Safety Glasses



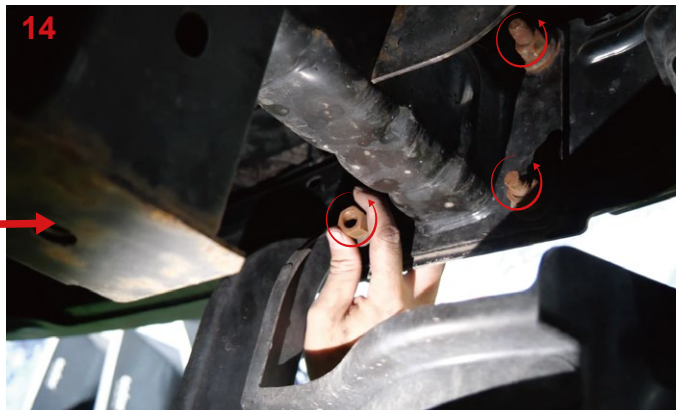
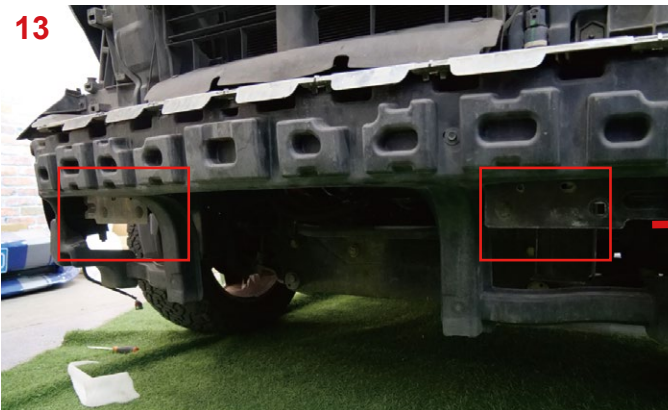
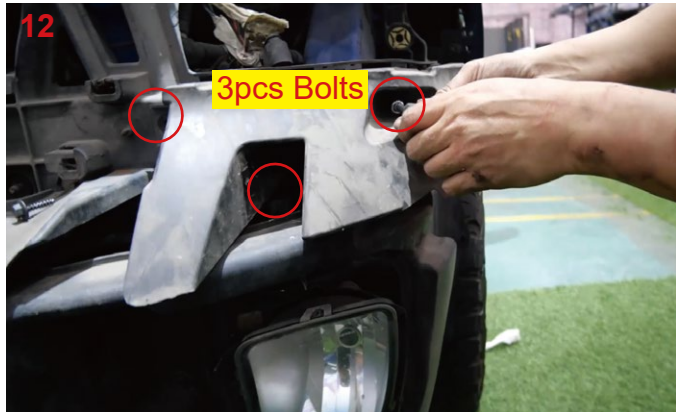
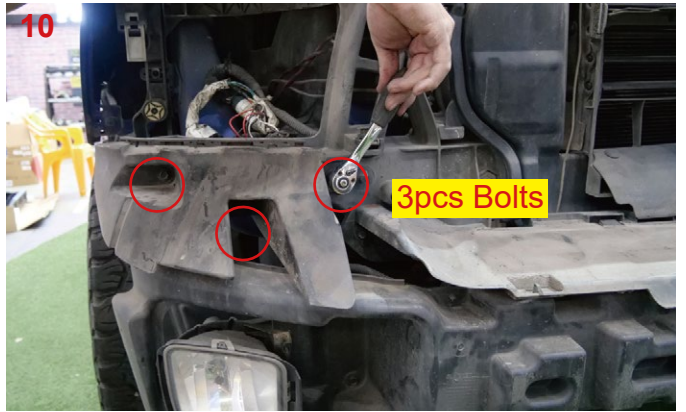
Installation Instructions

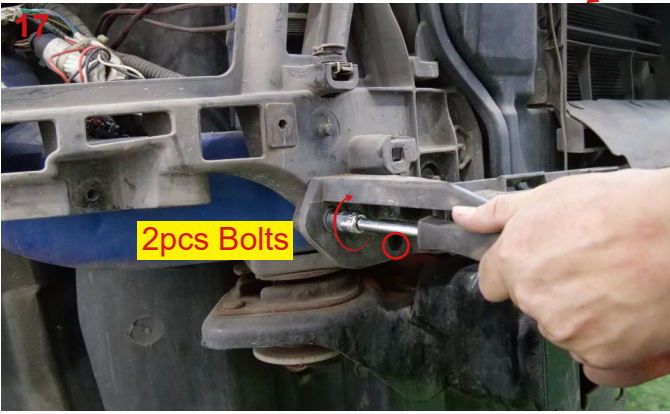
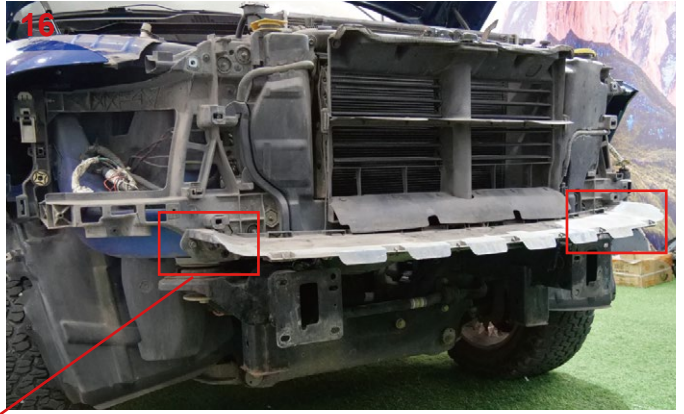
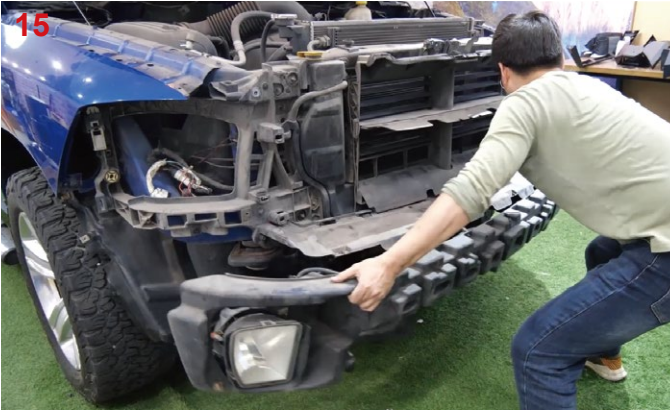
Step 1: Open the carton and take out the parts. Check whether the number of components is complete.

Step 2: Remove the original bumper and prepare the parts needed to install the bumper.

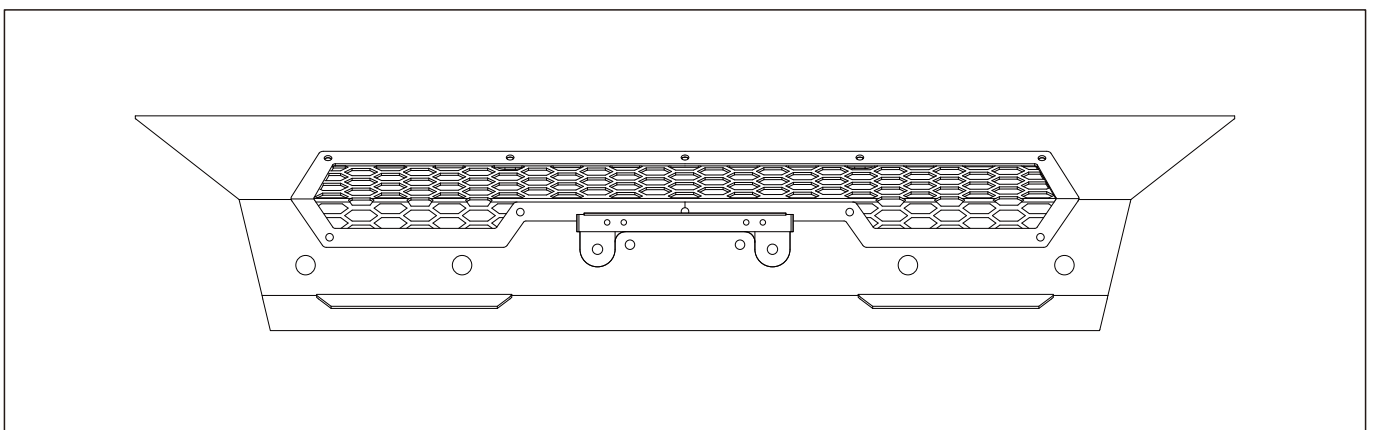
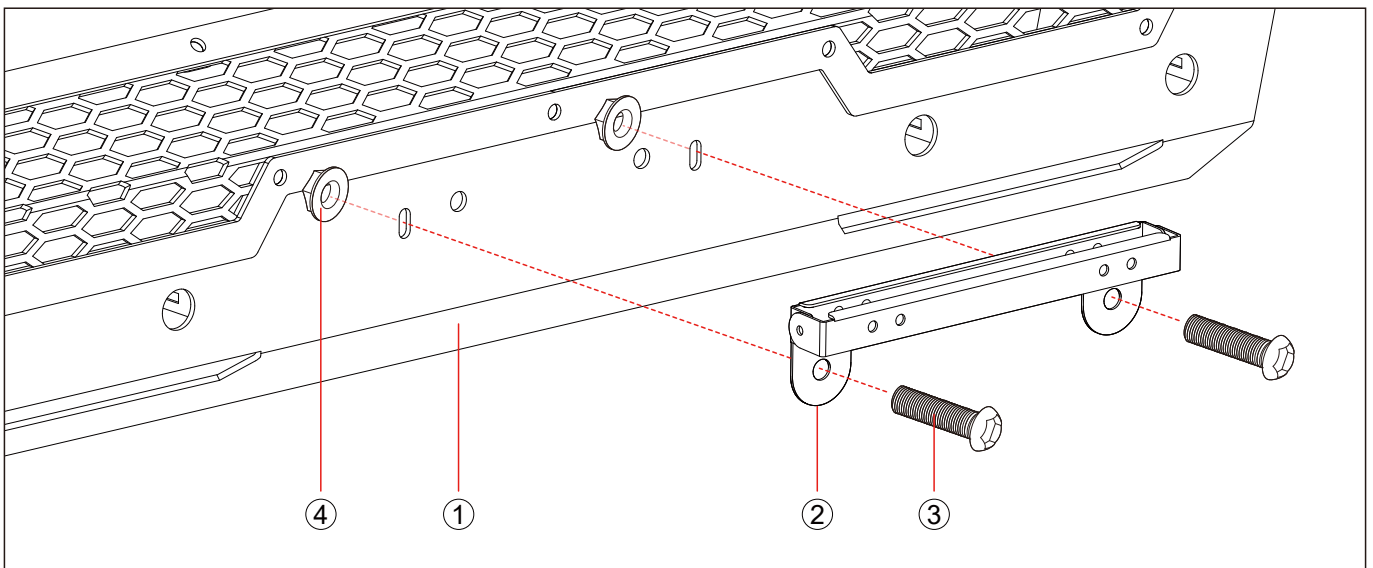
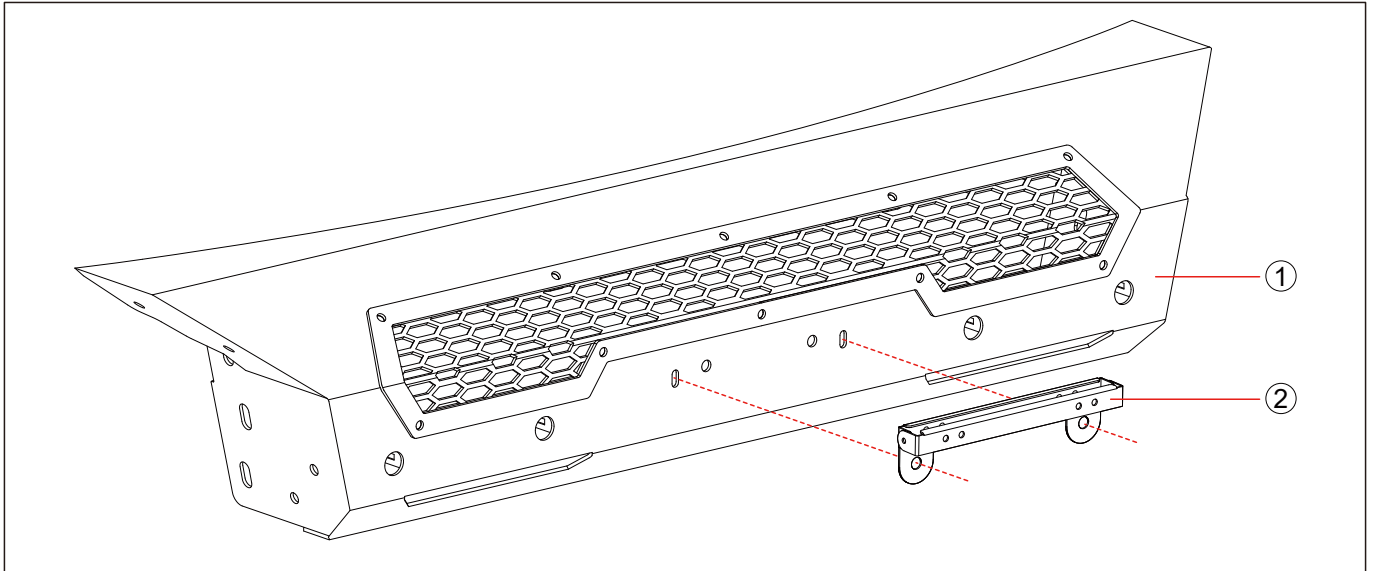
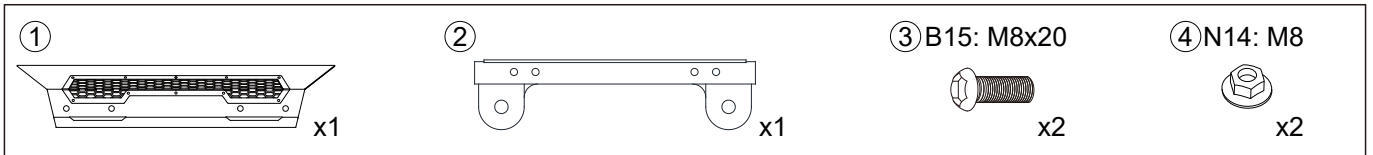


7. Repeat the steps 4~6 for the other side

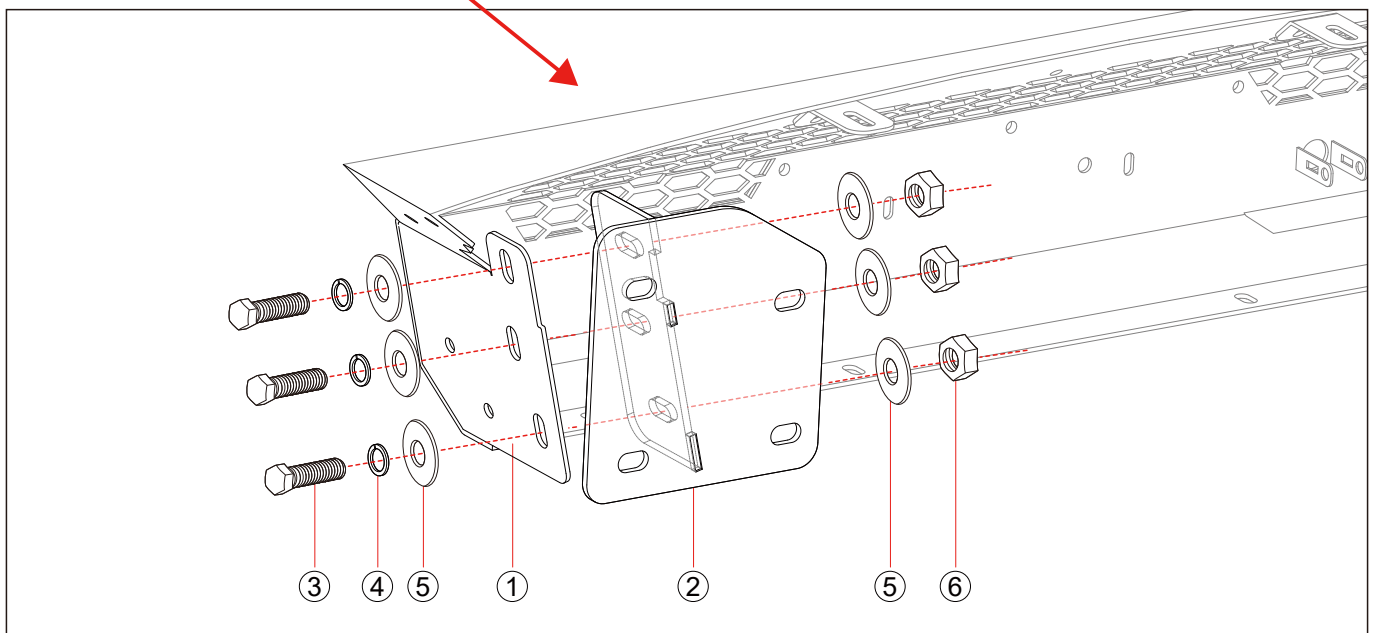
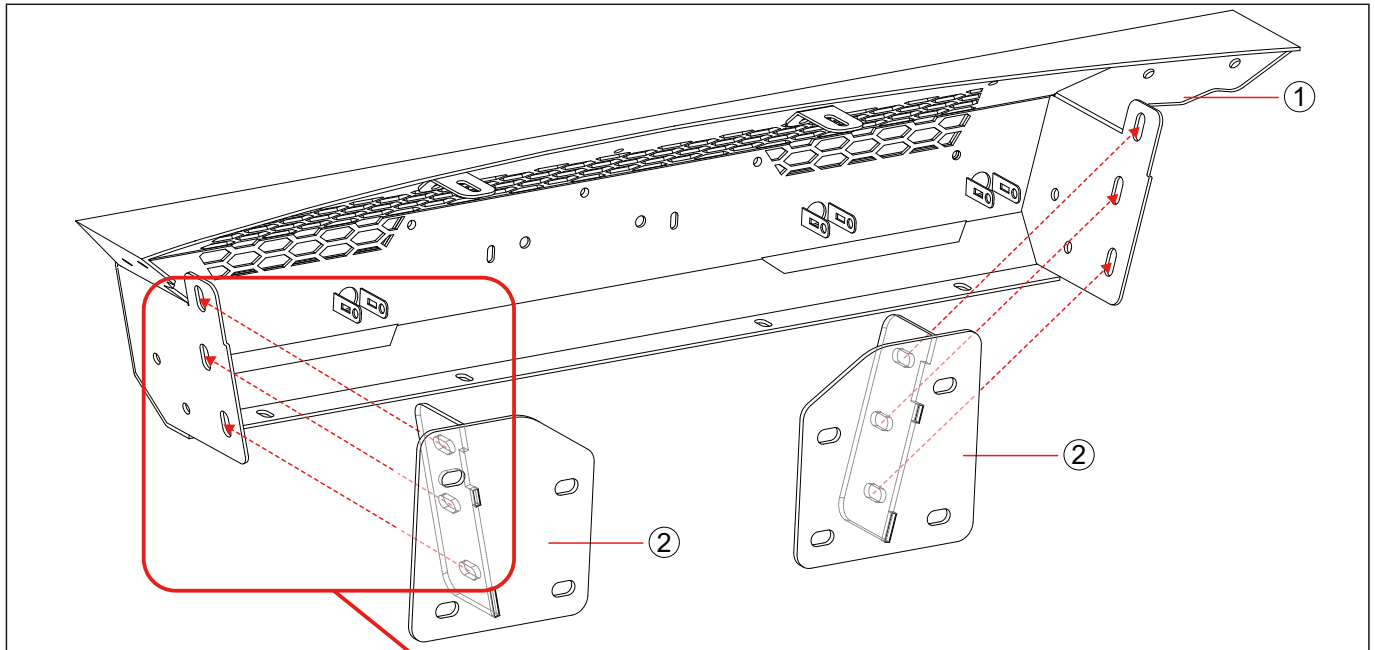
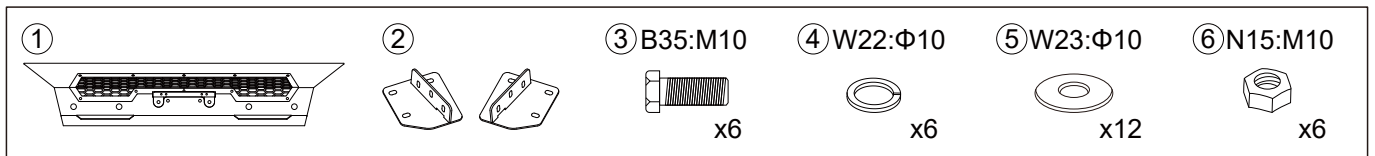




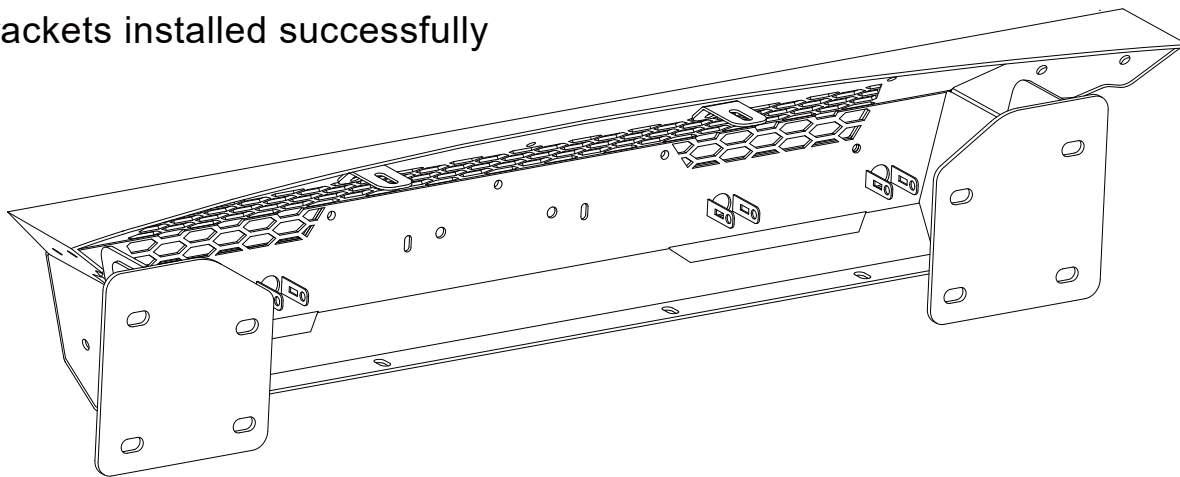
Step 3: Install the License Bracket.



Step 4: Install the brackets.

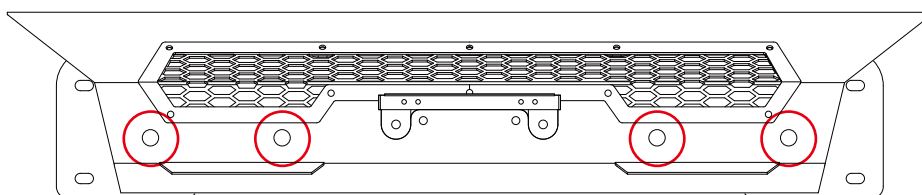
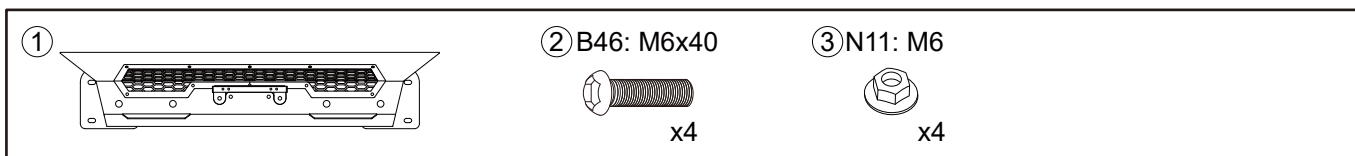


Brackets installed successfully

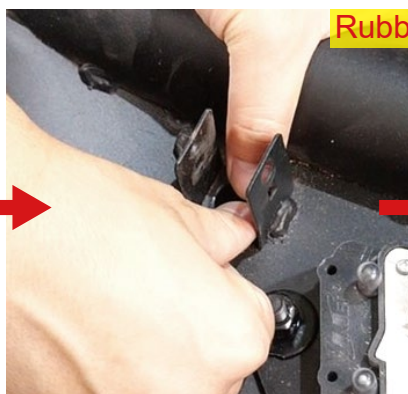


Step 5: Install the Radar Probe.

Note: If the car does not have a radar probe, this step can be ignored.



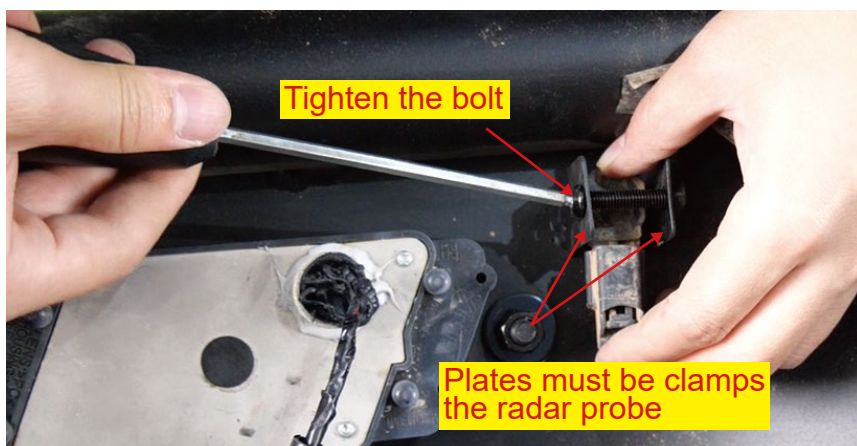
Pull out the rubber stoppers



Rubber stopper



Tighten the bolt

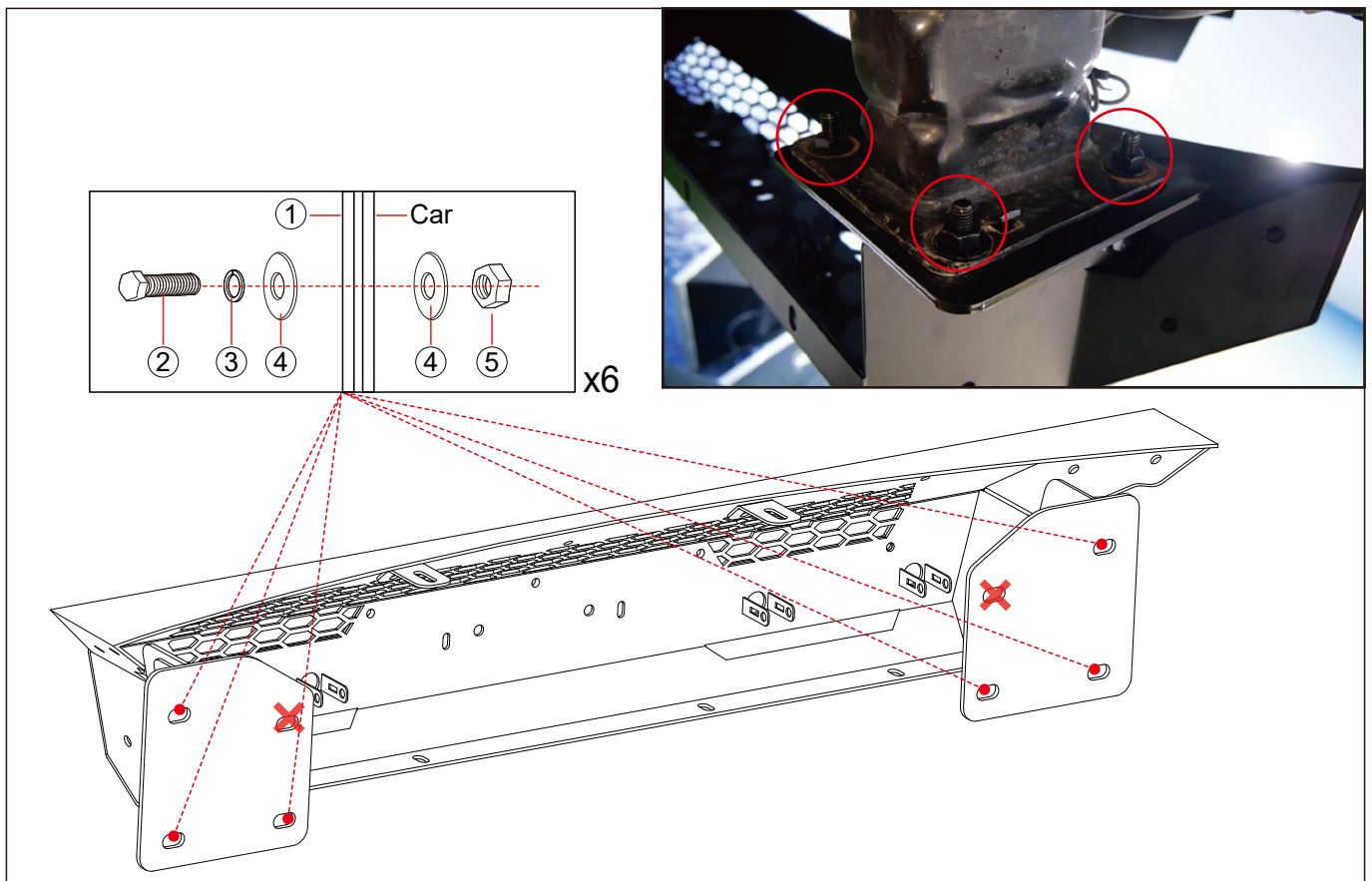
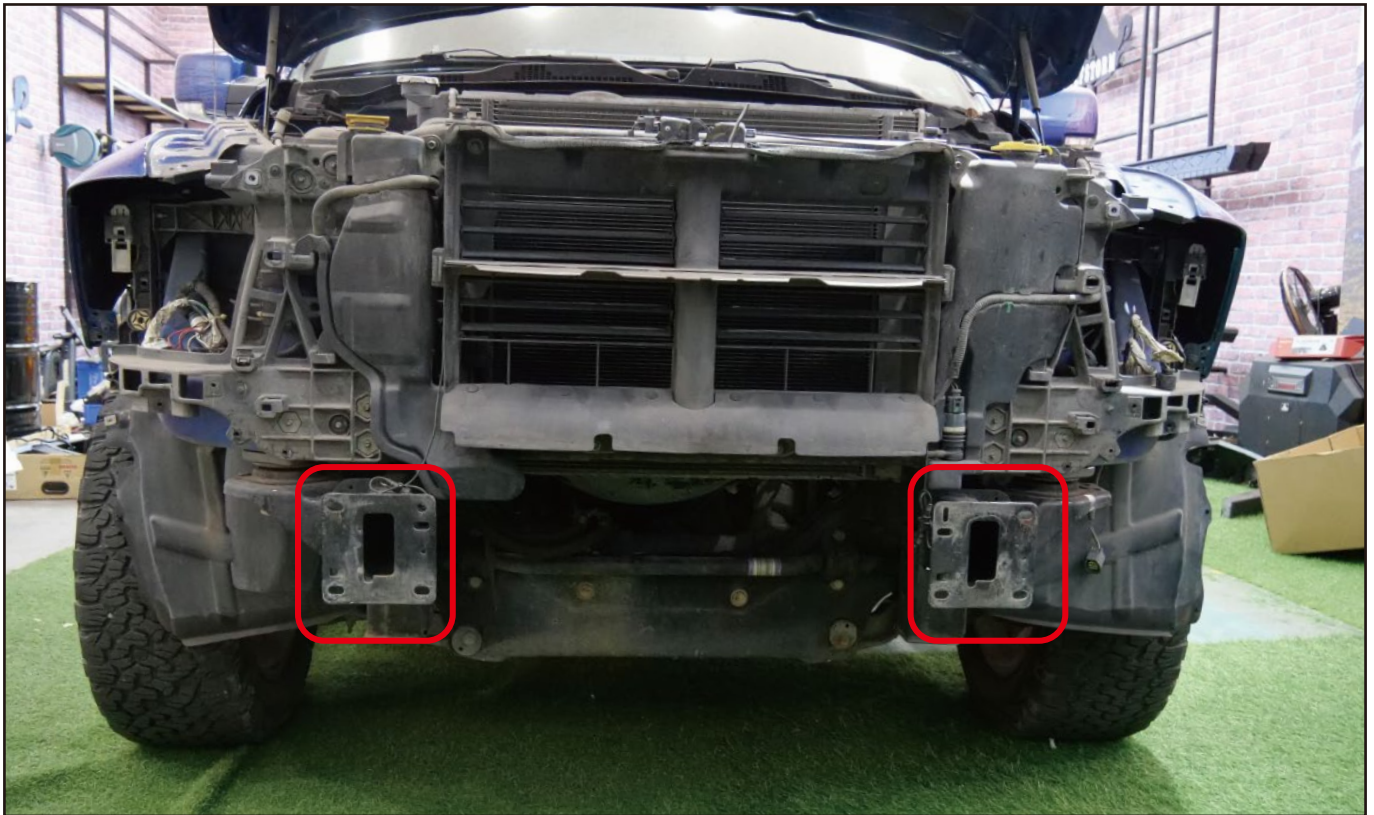
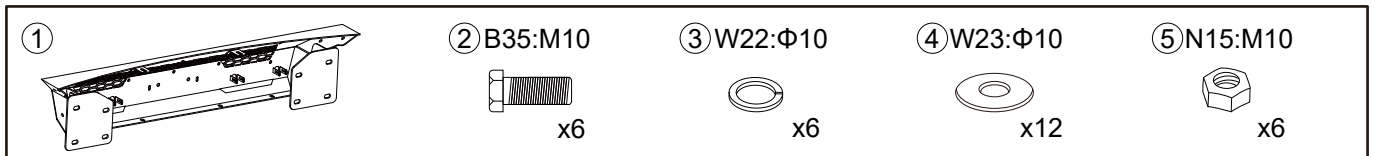


Plates must be clamps the radar probe



Installed successfully

Step 6: Install the Mid Bumper.





Mid Bumper installed successfully