

FRONT BUMPER

————— User Manual —————

2009-2018 Dodge Ram



Model:	NRM01A103
Material:	Q235A
Product Dimensions:	77.2 x 17.8 x 28 inch
Package Dimensions:	52.8 x 19.7 x 17.3 inch
Product Weight:	109 lbs

※Thank you for purchasing the FRONT BUMPER. Please read this manual carefully and keep it properly if you need to refer to it afterward. If you need any support or assistance, please contact us with your product model number and order number, and our support team will help you solve problems.






⚠ WARNING

※ This product is designed primarily to enhance the appearance of the vehicle. Do not rely in any way on the components of this product to protect against injury or death in the event of an accident. To reduce the risk of serious injury or property damage, please read all safety messages and understand all instructions and procedure notices before attempting to install or use this product.

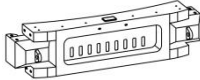



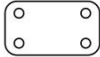
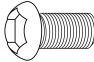




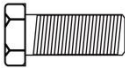
⚠ CAUTION

※ Properly torque and recheck fasteners and security of step tread after 250 miles and inspect frequently. Do not use if damaged.

REQUIRED TOOLS

Socket 	Ratchet 	Wrench 	Allen Wrench 	Safety Glasses 
---------------------------------------------------------------------------------------------	----------------------------------------------------------------------------------------------	---------------------------------------------------------------------------------------------	----------------------------------------------------------------------------------------------------	-------------------------------------------------------------------------------------------------------

Parts Information

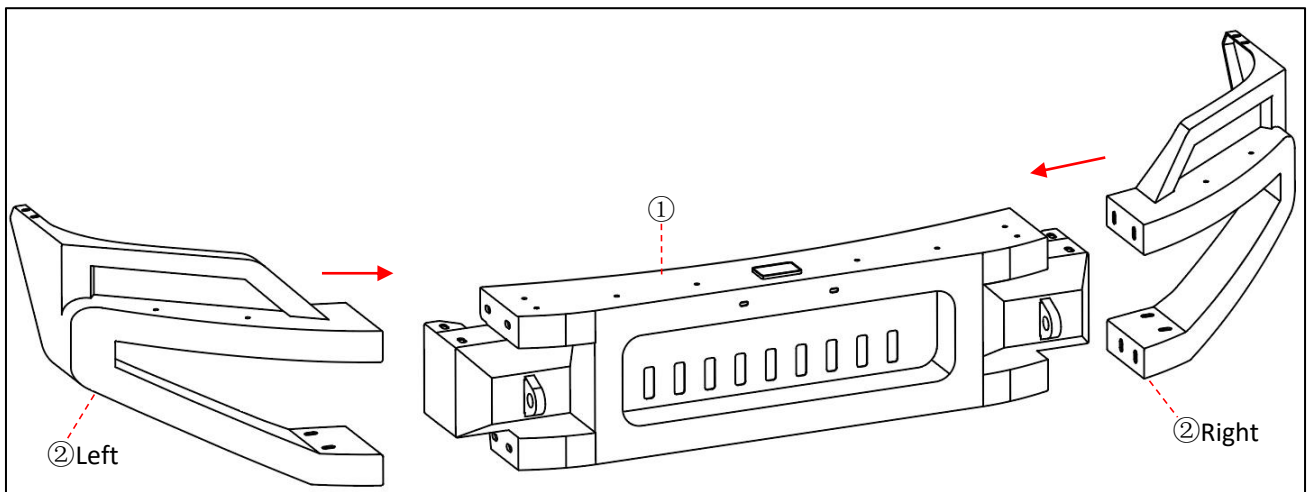
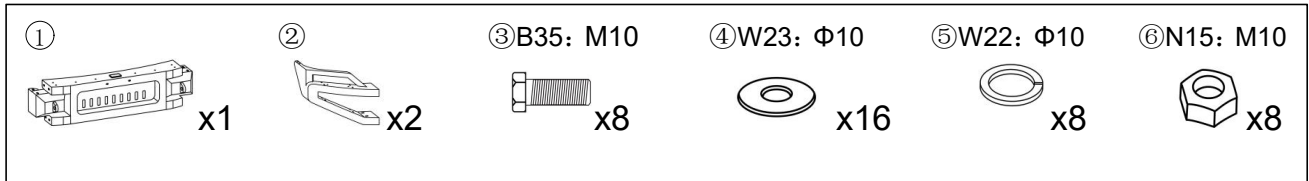
Parts NO.	Parts Name	Size	Line Graph	Qty	Color
/	Mid Bumper	/		1	Black
/	Left/Right Bumper	/		2	Black
/	Left/Right Brackets	/		2	Black
/	Left/Right Plates	/		2	Black
/	Connect Plates	/		2	Black
B15	Half Head Allen Bolts	M8x20		26	Dacro Black
N14	Hex Flange Nuts	M8		26	Dacro Black
W23	Flat Washer	Φ10x25x2		58	Dacro Black
W22	Spring Washer	Φ10		30	Dacro Black
N15	Hex Nuts	M10		30	Dacro Black
B35	Hex Bolts	M10x35		30	Dacro Black

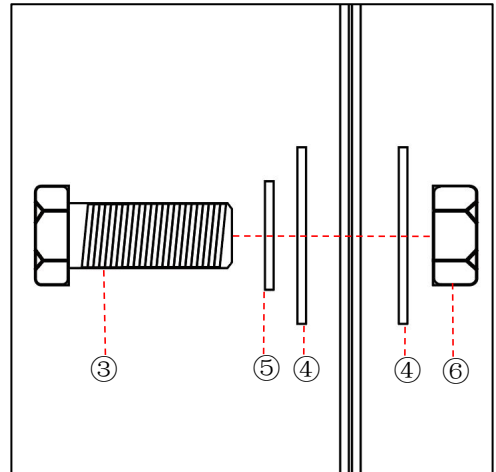
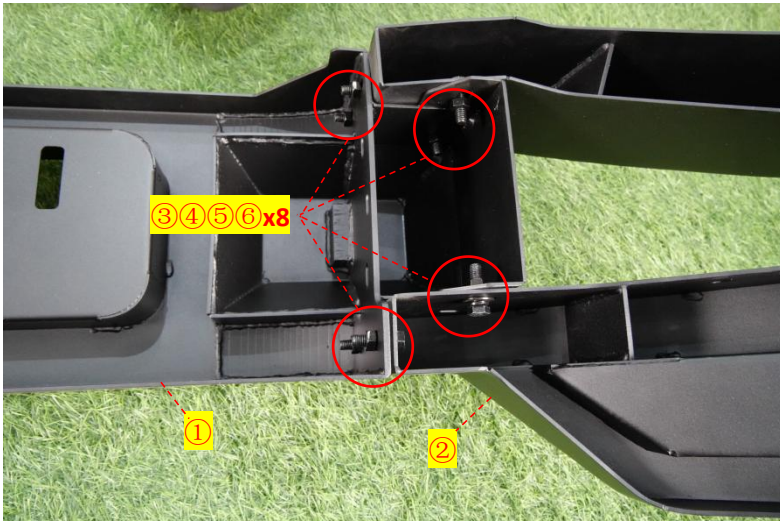
***Note: spare parts such as B15、N14、W23、W22、N15 and B35 are provided with 1PCS each (included in the number of parts details).**

Installation Instructions

Step 1: Open the carton and take out the parts. Check whether the number of components is complete.

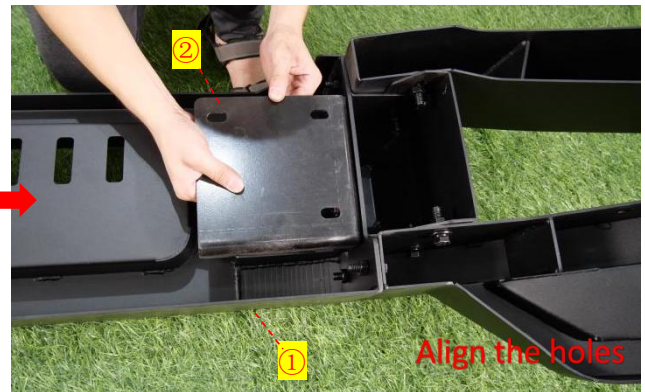
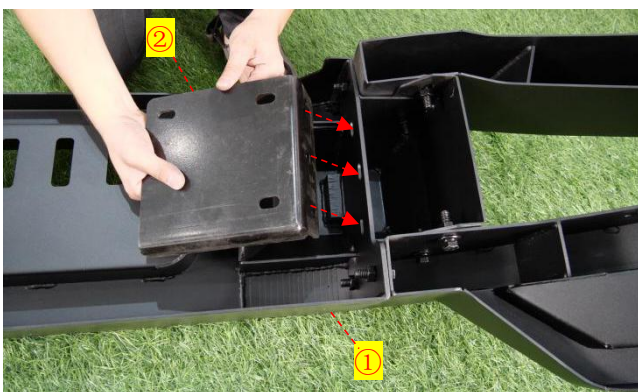
Step 2: Splicing the Bumper.

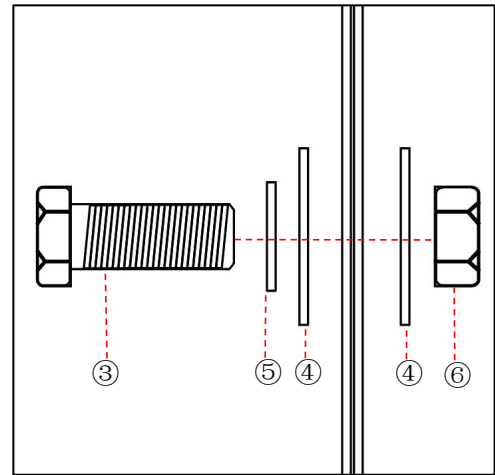
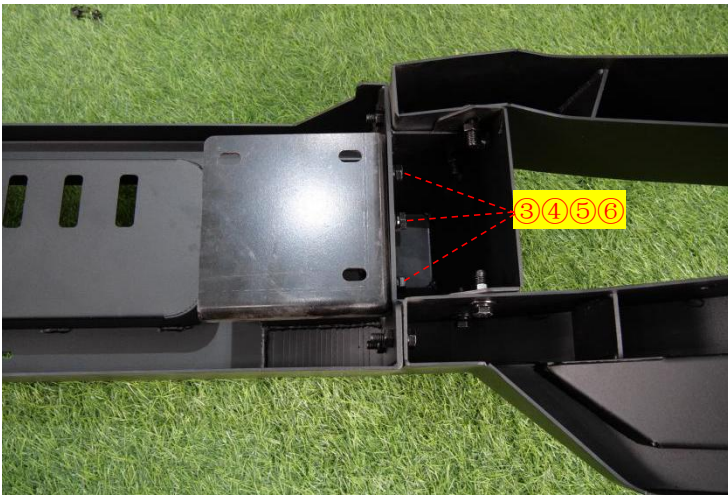






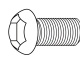

Note: Align of the Bumper and tighten the bolts.

Step 3: Install the Basket and tighten the bolts.





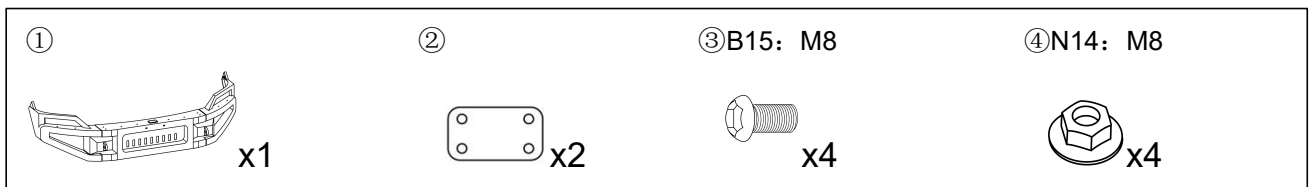
Step 4: Install the left and right plates and tighten the bolts.

<p>①</p>  <p>x1</p>	<p>②</p>  <p>x2</p>	<p>③ B15: M8</p>  <p>x4</p>	<p>④ N14: M8</p>  <p>x4</p>
--------------------------------------------------------------------------------------------------------	--------------------------------------------------------------------------------------------------------	----------------------------------------------------------------------------------------------------------------	------------------------------------------------------------------------------------------------------------------



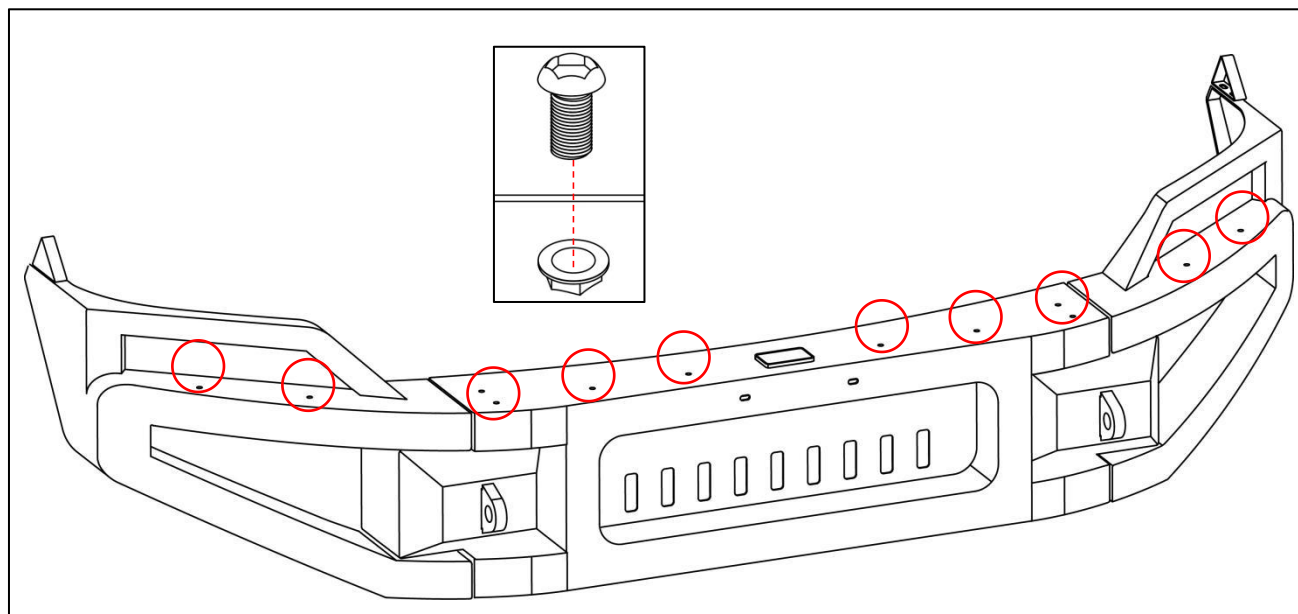
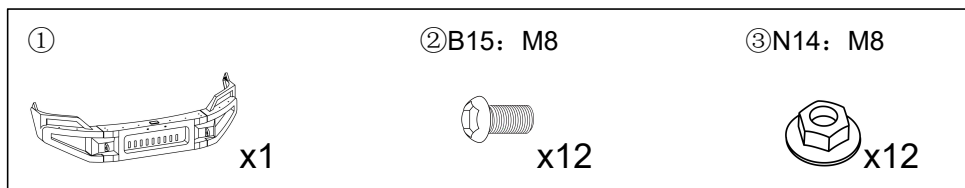


Step 5: Install the connect plates and tighten the bolts.



Step 5: Install the decorative bolts.

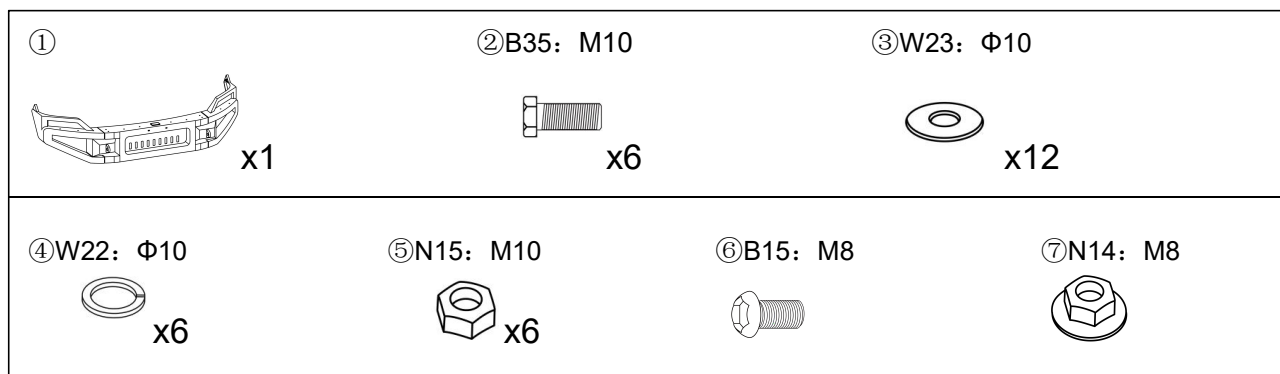
Note: If you do not need to the bolts to decorative the bumper, this step can be ignored.



Step 6: Clean the front of the car to ensure it is free of dust, dirt, and debris.

Step 7: Uninstall the vehicle's original clips before installation and keep it.

Step 8: Install the Bumper.





Mounting holes



Align the holes

