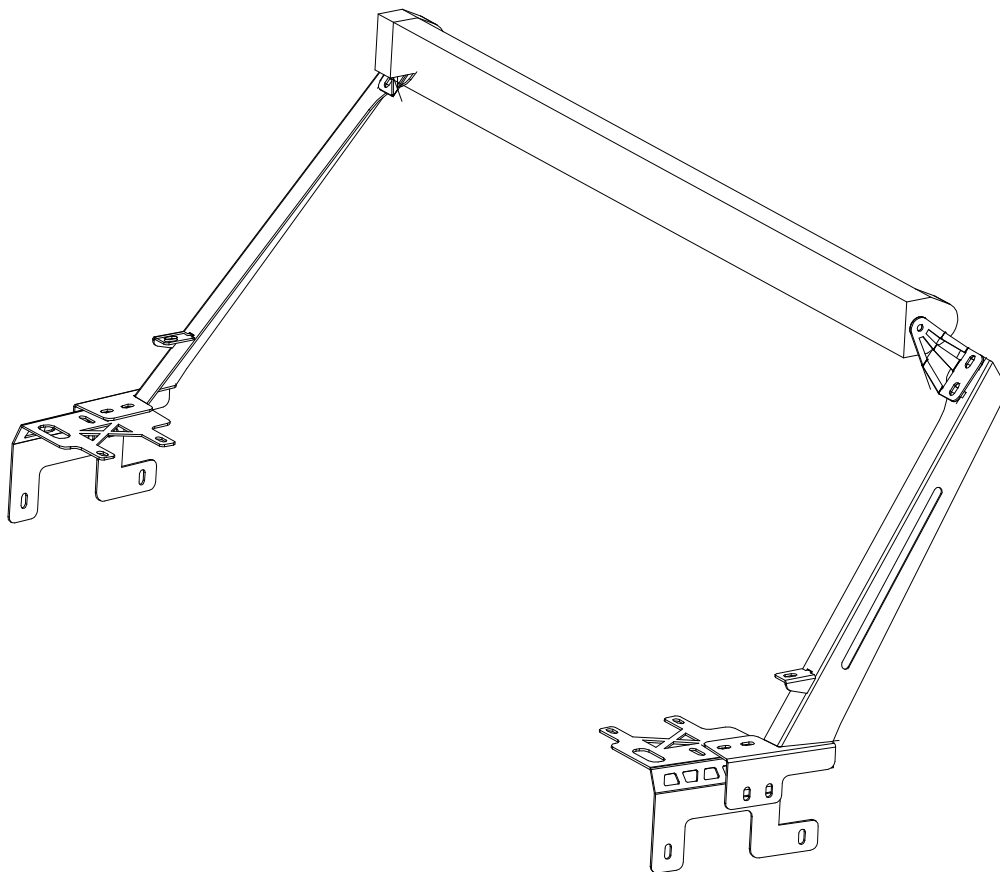


# A-Pillar Light

———— User Manual ————

2018-2020 Jeep JL



**Model:** NJL01E102-BM

**Material:** Q235A

**Product Dimensions:** Lower A-pillar lamp bracket: 10.56\*7.15\*5.96 inch  
Lengthening bracket: 18.5\*7.14\*22.67 inch

**Package Dimensions:** 33.46\*14.96\*7.09inch

**Product Weight:** 12.21lbs

---

Thank you for purchasing the A-Pillar Light. Please read this manual carefully and keep it properly in case you need to refer to it afterwards. If you need any support or assistance, please contact us with your product model number and order number, our support team will help you solving problems.

## **WARNING**

※ This product is designed to enhance the appearance of your vehicle and option to provide long range distance lighting and brightness. It's NOT designed to prevent the driver or passengers from injury or death during an accident. To make a safe driving environment and reduce the risk of injury or property damage, please read all safety messages and all instructions and procedure notices before you attempting to install or use this product.

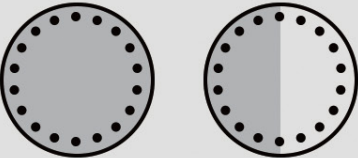

## **CAUTION**


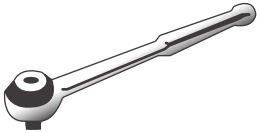
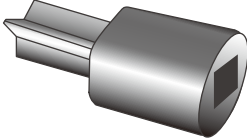
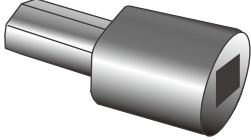
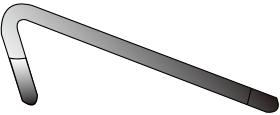
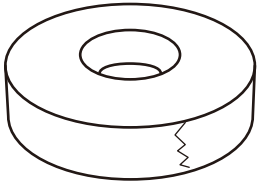
※ Regularly check tightness of the screws and the brightness the lamp. Carry out a regular maintenance. If you have quality problems, please contact us to solve them.

※ The installation of the bracket and the lamp assembly is recommended to be accompanied by professionals.















# Jeep A-Pillar Light parts & tools

INSTALLATION TIME	SKILL LEVEL
 <p data-bbox="300 696 600 745"><b>1-1/2 Hours</b></p>	 <p data-bbox="850 696 1430 745"><b>3-Moderately Difficult</b></p>

REQUIRED TOOLS			
<p data-bbox="193 1037 400 1144">Safety Glasses</p> 	<p data-bbox="528 1059 727 1108">Ratchet</p> 	<p data-bbox="863 1032 1042 1135">Torx Socket</p>  <p data-bbox="932 1308 986 1337">T55</p>	<p data-bbox="1214 1032 1393 1135">Torx Socket</p>  <p data-bbox="1281 1308 1335 1337">T55</p>
<p data-bbox="197 1361 395 1464">Allen Wrench</p>  <p data-bbox="165 1628 392 1659">3/16" and 6mm</p>	<p data-bbox="517 1368 730 1471">masking tape</p> 		

# Parts Information

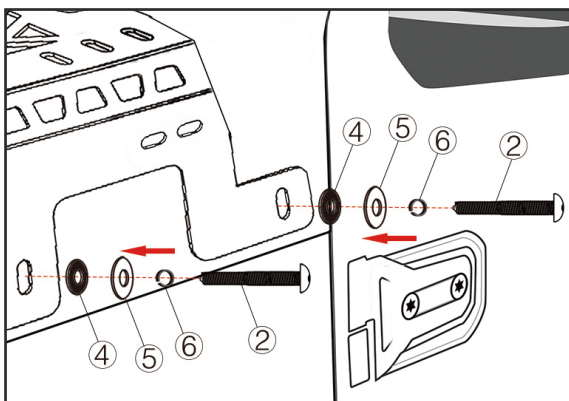
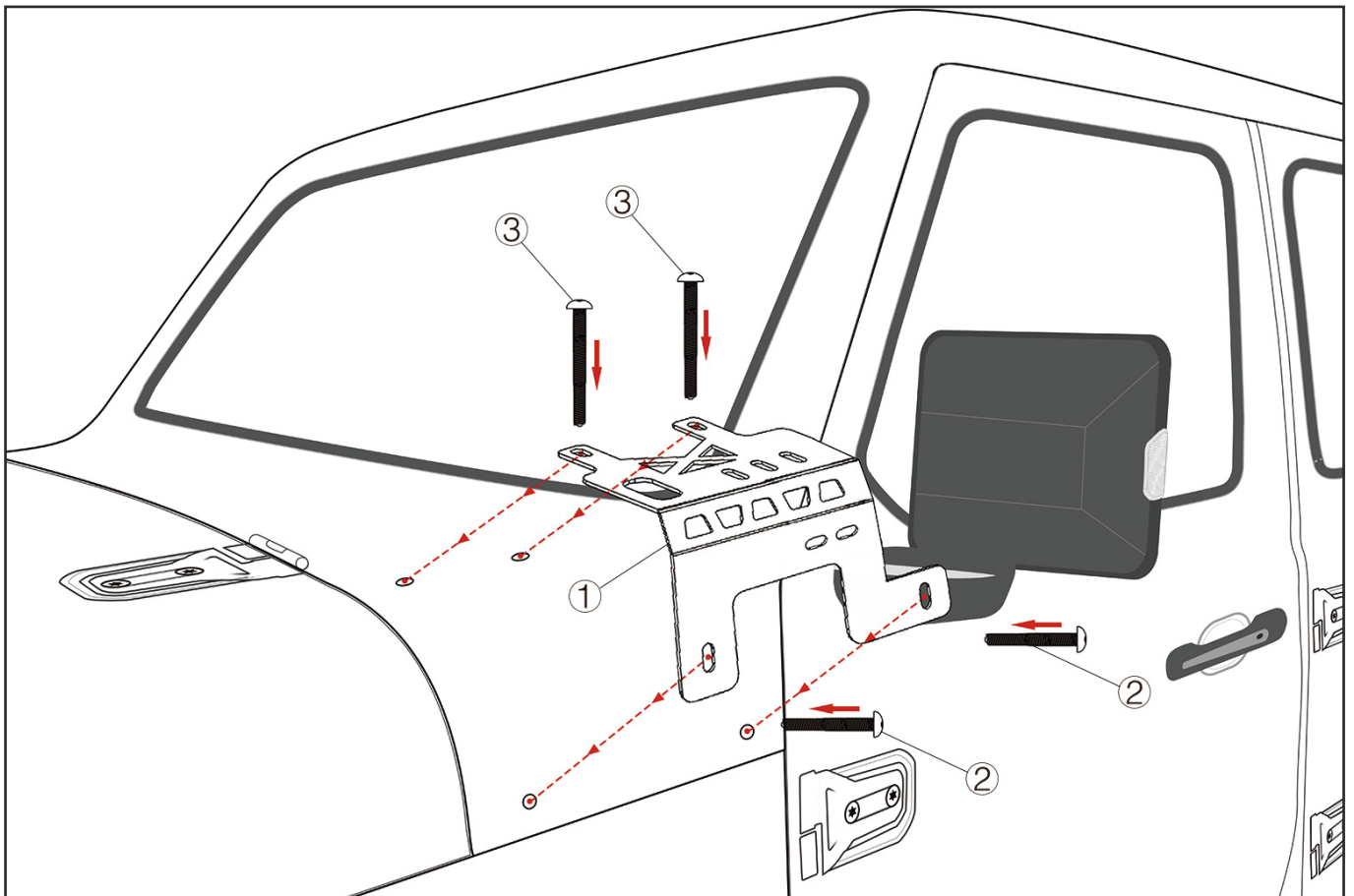
Parts Name	Size	Line Graph	Quantity	Color
Hex Flat Head Bolts	M8*30		4	Dacro Black
Hex Flat Head Bolts	M6*60		4	Dacro Black
Hex Flat Head Bolts	M8*20		8	Dacro Black
Square Neck Bolts	M8*16		4	Dacro Black
Spring Washer	M8		16	Dacro Black
Spring Washer	M6		4	Dacro Black
Flat Washer	8*24*2mm		16	Dacro Black
Flat Washer	6*18*1mm		4	Dacro Black
Rubber washer	8*16*0.5mm		20	Nylon Black
Hex Flange Nuts	M8-8		8	Dacro Black
M8 (7mm Inner Hole) (20mm Outer Hole)	M8 (7mm Inner Hole) (20mm Outer Hole)		4	Clear
Acorn Nuts	M8		4	Dacro Black

# A-Pillar Light Installation Instructions

Note: This installation manual takes the installation on the left side of the vehicle as an example, and the installation steps on the right side of the vehicle are the same.

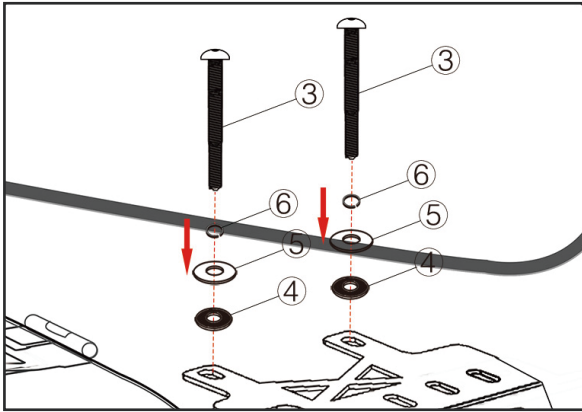
## Step 1:

Install the main bracket.



## Side:

Use ② hex flat head bolts (M8\*30) for the two holes on the side, and tighten in the order of ② hex flat head bolts (M8\*30) - ⑥ spring washer (M8) - ⑤ flat washer (8\*24\*2mm) - ④ rubber washer (8\*16\*0.5mm).



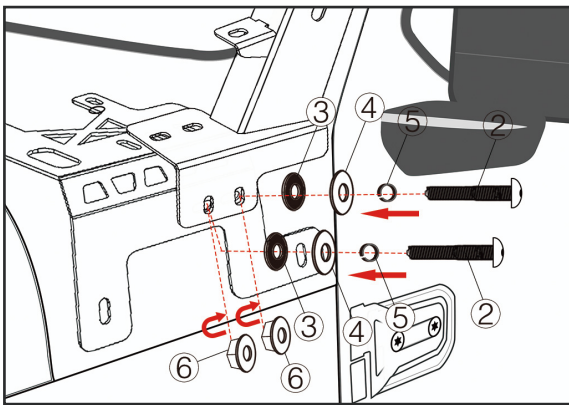
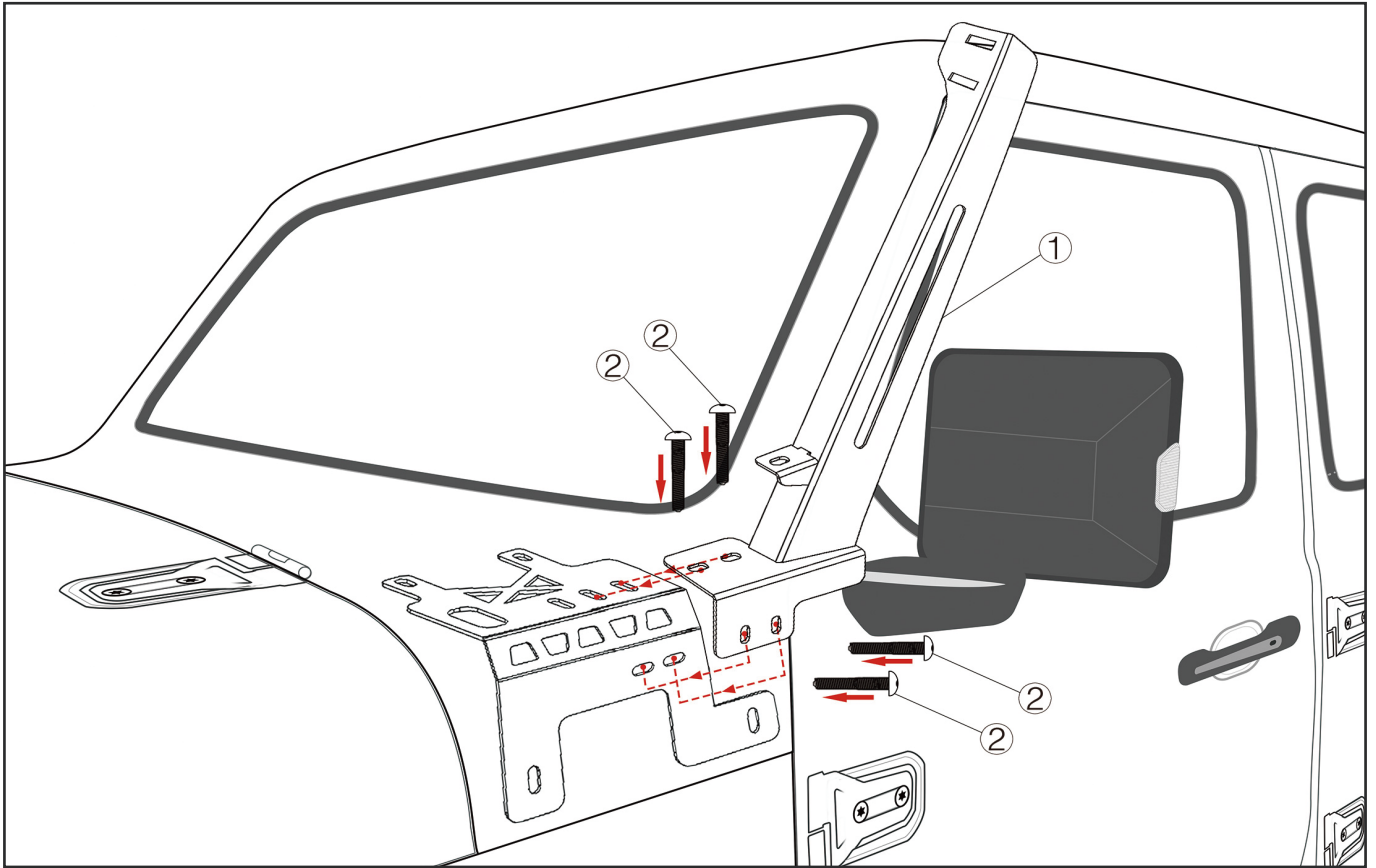
### Upper:

Use ③ hex flat head bolts (M6\*60) for the two holes on the upper, and tighten in the order of ③ hex flat head bolts (M6\*60) - ⑥ spring washer (M6) - ⑤ flat washer (6\*18\*1mm) - ④ rubber washer (8\*16\*0.5mm).

①		X1 pcs
②		X2 pcs
③		X2 pcs
④		X4 pcs
⑤		X4 pcs
⑥		X4 pcs

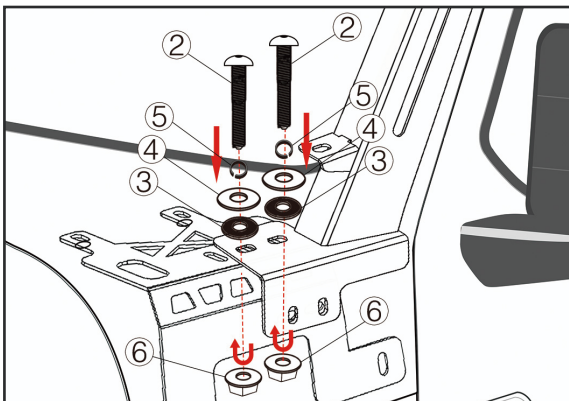
## Step 2:

When you go off-roading, you can install the upper bracket on the main pillar.



### Side:

Use ② hex flat head bolts (M8\*20) for the two holes on the side, and tighten in the order of ② hex flat head bolts (M8\*20) - ⑤ spring washer (M8) - ④ flat washer (8\*24\*2mm) - ③ rubber washer (8\*16\*0.5mm) - ⑥ hex flange nuts (M8-8).

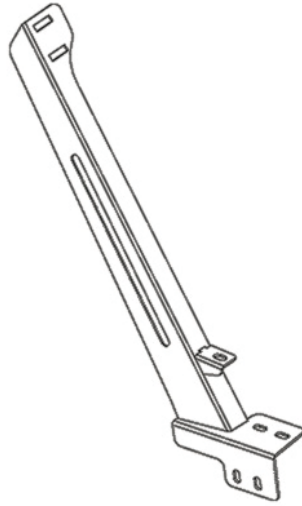


### Upper:

Use ② hex flat head bolts (M8\*20) for the two holes on the side, and tighten in the order of ② hex flat head bolts (M8\*20) - ⑤ spring washer (M8) - ④ flat washer (8\*24\*2mm) - ③ rubber washer (8\*16\*0.5mm) - ⑥ hex flange nuts (M8-8).



①



X1 pcs

②



X4 pcs

③



X4 pcs

④



X4 pcs

⑤



X4 pcs

⑥

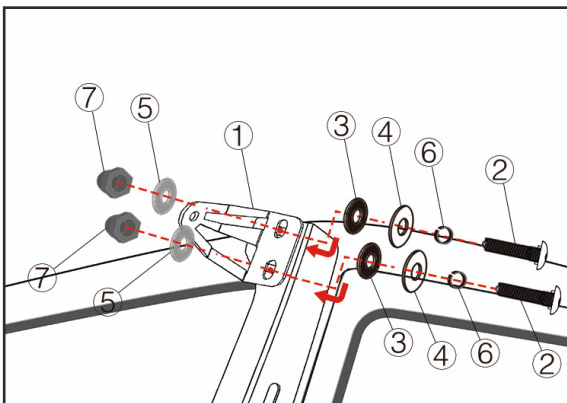
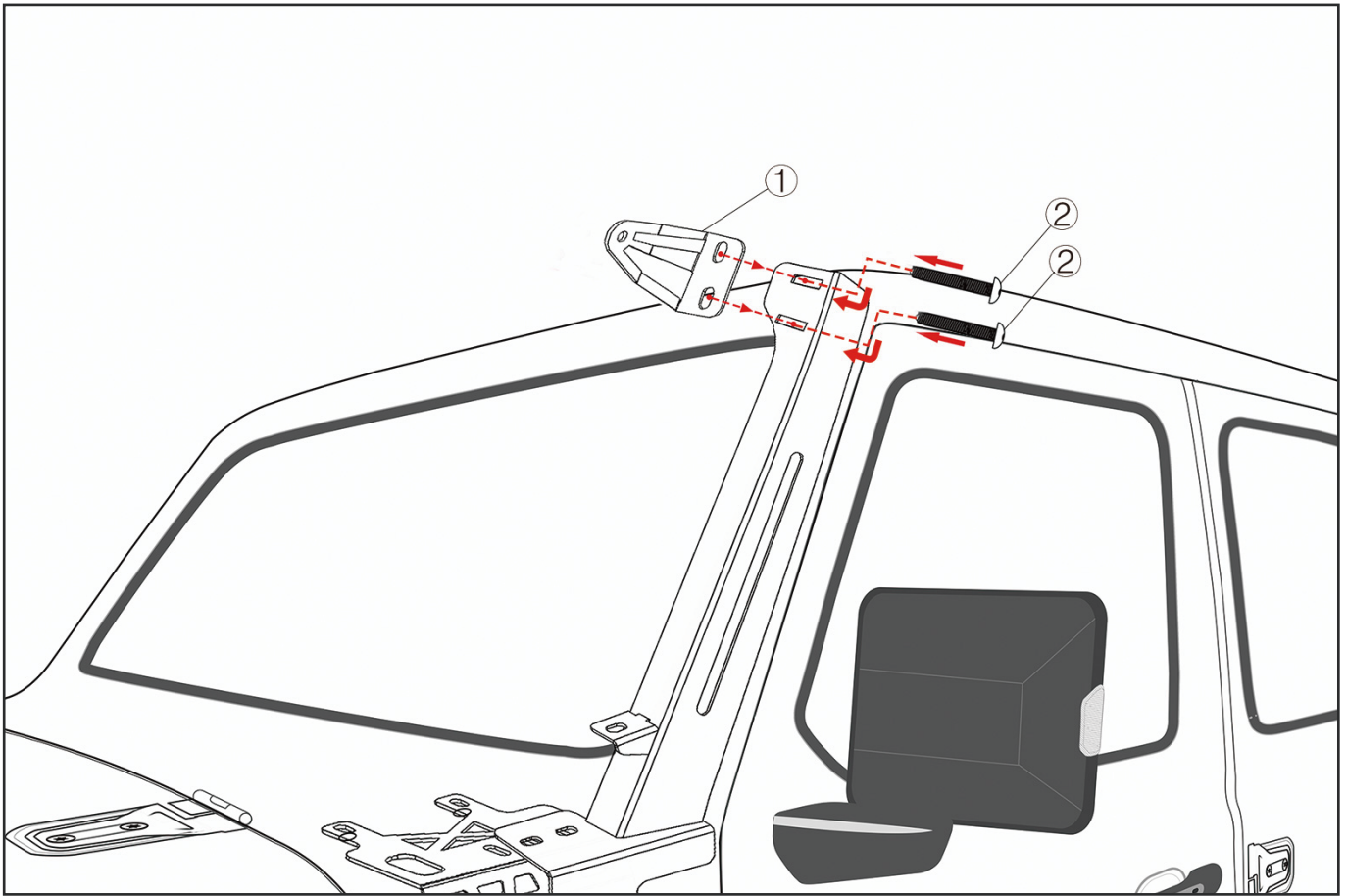


X4 pcs



### Step 3:

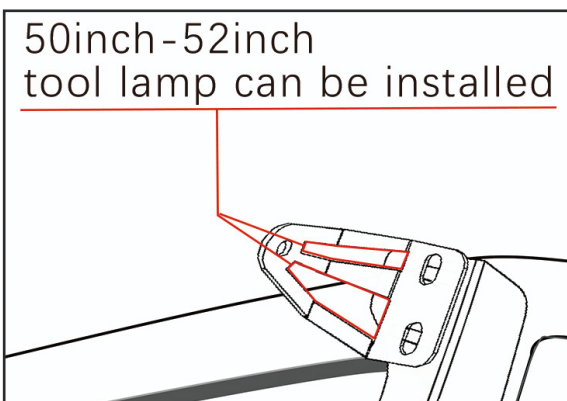
Install the top bracket.



#### Top:

Use ② Square Neck Bolts (M8-16) for the two holes on the top, and tighten in the order of ② Square Neck Bolts (M8-16) - ⑥ spring washer (M8) - ④ flat washer (8\*24\*2mm) - ③ rubber washer (8\*16\*0.5mm) and the other side ⑤ plastic washer (M8) - ⑦ acron nuts (M8)

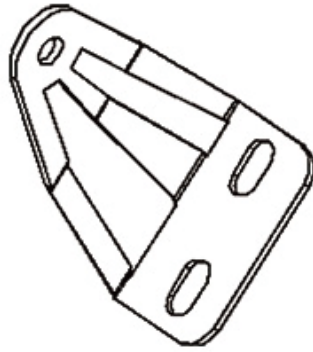
50inch-52inch  
tool lamp can be installed



#### Tips:

After installing the top bracket, you can install the 50inch or 52inch tool lamp on the bracket.

①



X1 pcs

②



X2 pcs

③



X2 pcs

④



X2 pcs

⑤



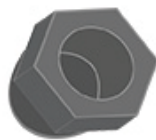
X2 pcs

⑥

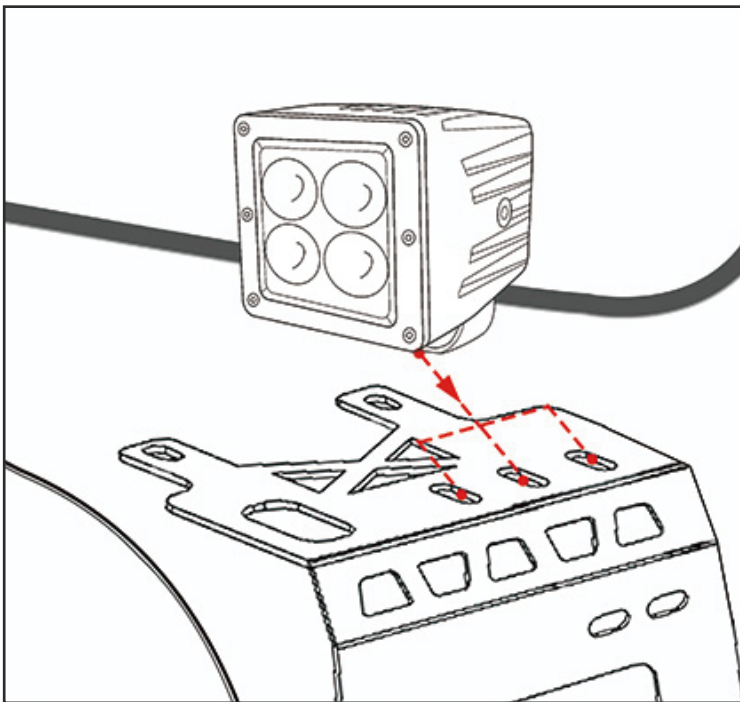
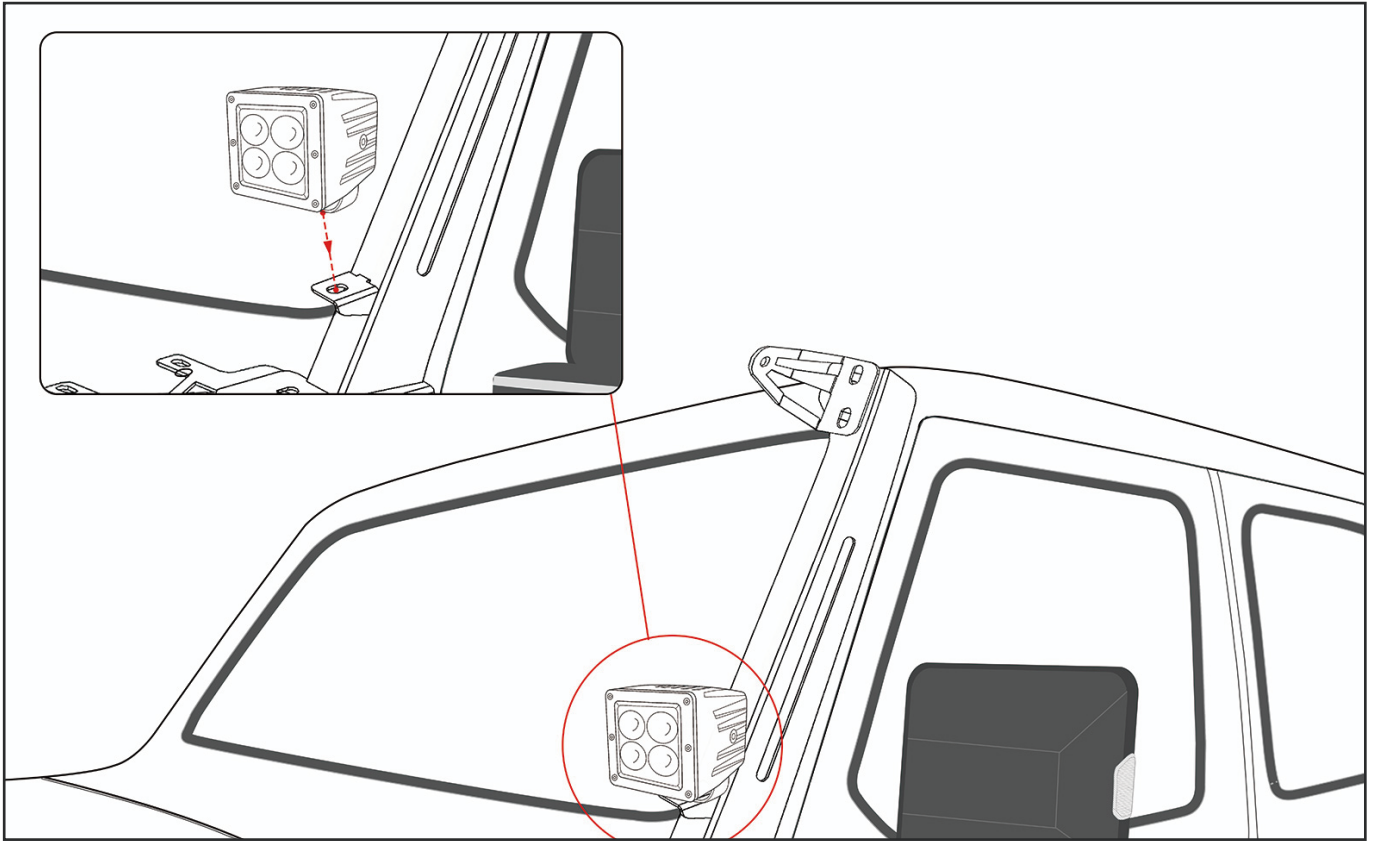


X2 pcs

⑦



X2 pcs



**Tips:**

This A-Pillar Light product comes with two 4inch tool lamps with lens, switch and wire set. You can install these on the main bracket in daily use or install these on the top or upper bracket in off-road events.