

# REAR BUMPER

————— User Manual —————

2018-2022 Wrangler JL 4 Door



Model:	NJL01B108
Material:	Q235A
Product Dimensions:	65.54 x 17.25 x 9.72 inch
Package Dimensions:	33 x 17.32 x 10 inch
Product Weight:	48.17 lbs

---

※ Thank you for purchasing the REAR BUMPER. Please read this manual carefully and keep it properly if you need to refer to it afterward. If you need any support or assistance, please contact us with your product model number and order number, and our support team will help you solve problems.

**⚠ WARNING**






※ This product is designed primarily to enhance the appearance of the vehicle. Do not rely in any way on the components of this product to protect against injury or death in the event of an accident. To reduce the risk of serious injury or property damage, please read all safety messages and understand all instructions and procedure notices before attempting to install or use this product.

**⚠ CAUTION**

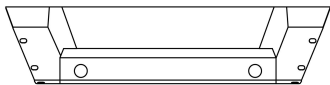
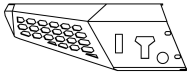
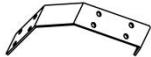

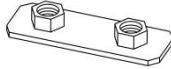



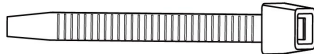
※ Properly torque and recheck fasteners and security of step tread after 250 miles and inspect frequently. Do not use if damaged.

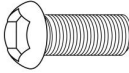


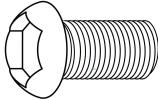


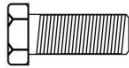


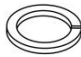
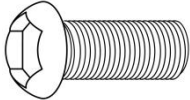

※ Rear Bumper is heavy, and we strongly suggest the assistance of an able-bodied assistant during the lifting and installation of your Rear Bumper.

# REQUIRED TOOLS

Socket 	Ratchet 	Wrench 	Allen Wrench 	Safety Glasses 
---	--	---	--	---

## Parts Information

Parts NO.	Parts Name	Size	Line Graph	Qty	Color
/	Mid Bumper	/		1	Black
/	Left/Right Bumper	/		2	Black
/	Connectors	/		2	Black
/	License Plate Holder	/		1	Black
/	Nut Plates	/		2	Black
/	Tow Trailer Hitch Receiver	/		1	Black
/	Shackles	/		2	PVC+Blue Zinc Plating
/	License Plate Light	/		1	12V, Black
/	Ribbon	5x250mm		10	Black

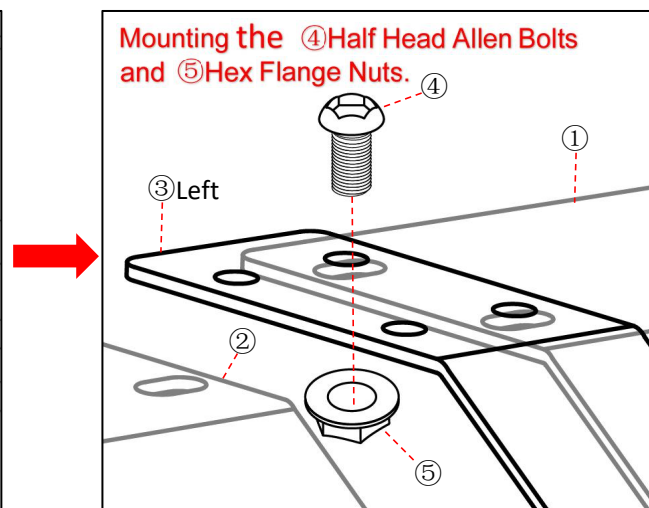
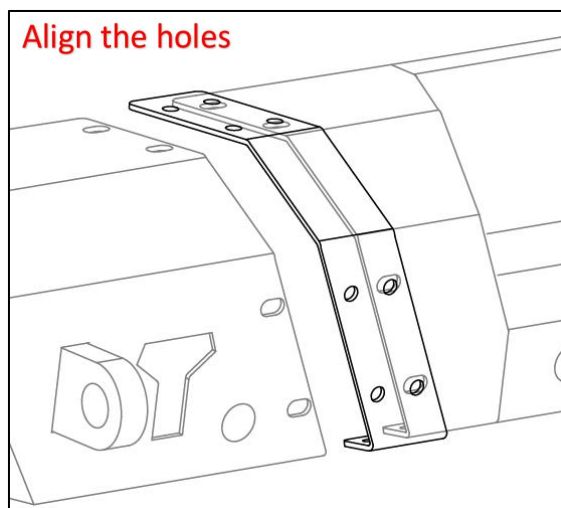
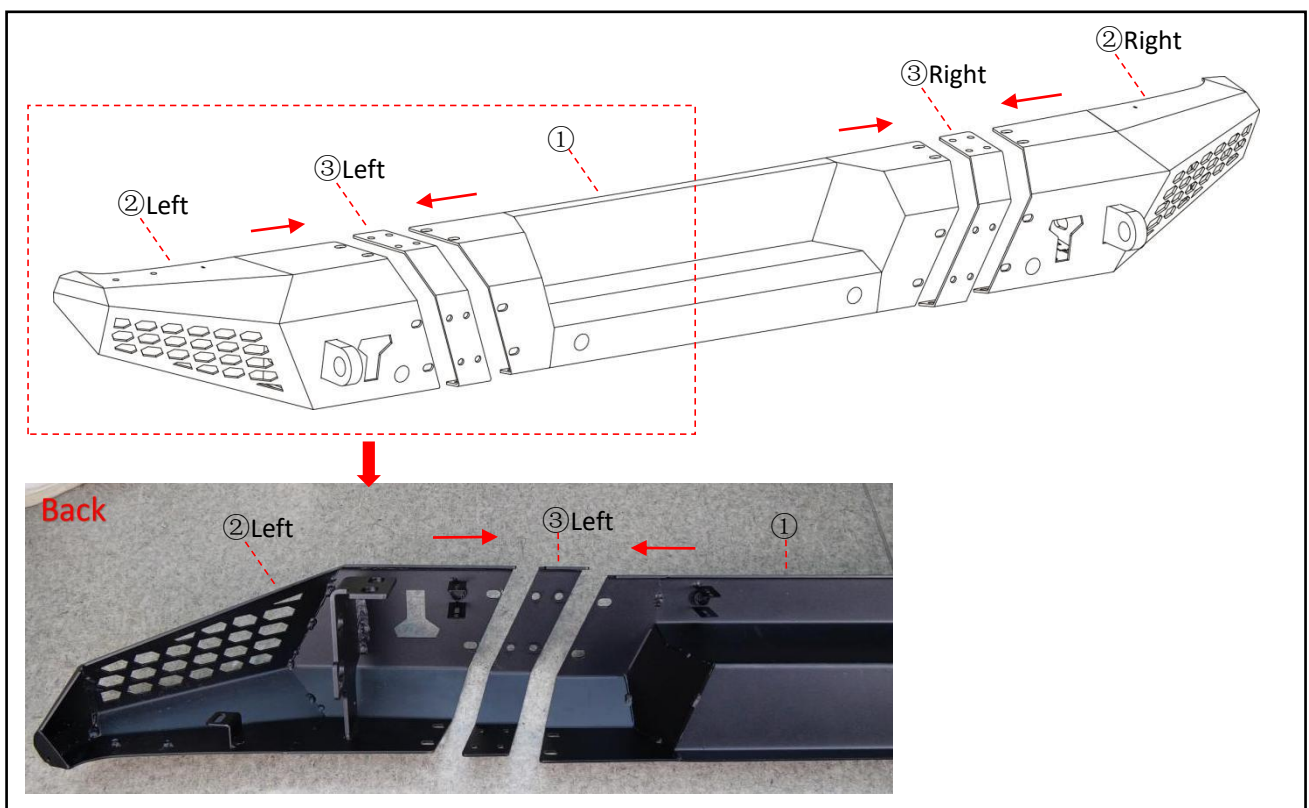
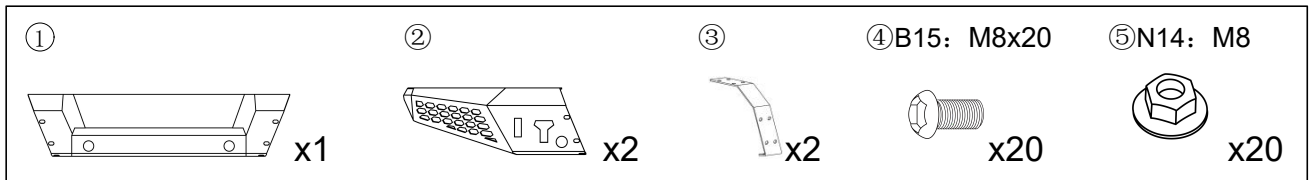
artPs NO.	Parts Name	Size	Line Graph	Qty	Color
B50	Half Head Allen Bolts	M6 x15		7	SUS304
W10	Flat Washer	Φ6x12x1.5		7	SUS304
N08	Hex Flange Nuts	M6		5	SUS304
B15	Half Head Allen Bolts	M8x20		21	Dacro Black
N14	Hex Flange Nuts	M8		21	Dacro Black
B41	Hex Bolts	M12x110 (30)		3	Blue Zinc Plating
B45	Hex Bolts	M12x35		3	Blue Zinc Plating
N24	Hex Nuts	M12		3	Blue Zinc Plating
W28	Flat Washer	Φ12x30x3mm		9	Blue Zinc Plating
W29	Spring Washer	Φ12		7	Blue Zinc Plating
B55	Half Head Allen Bolts	M6x30		5	Blue Zinc Plating
N29	Hexagon Lock Nut	M6		5	Blue Zinc Plating

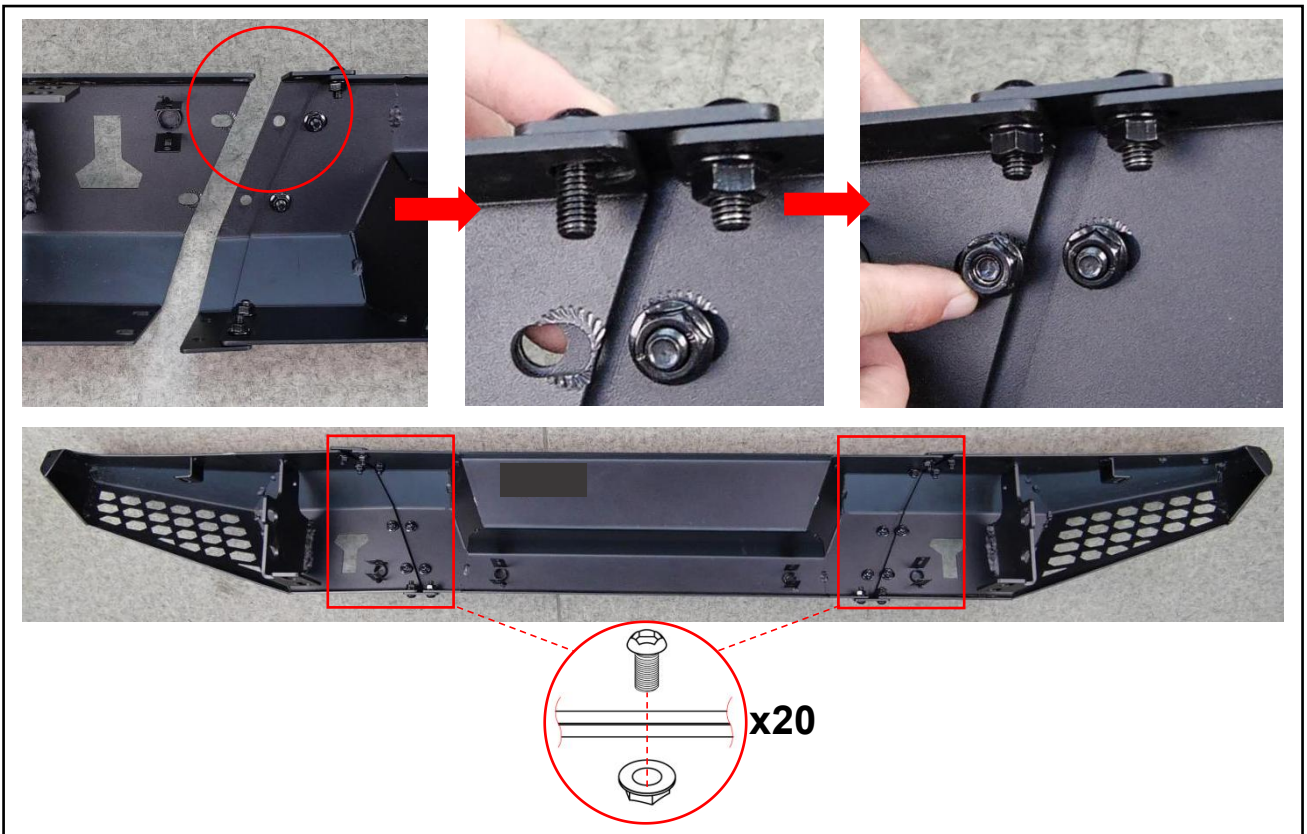
**\*Note: spare parts such as B50、W10、N08、B15、N14、B41、B45、N24、W28、W29、B55、N29 are provided with 1PCS each (included in the number of parts details).**

# Installation Instructions

**Step 1:** Open the carton and take out the parts. Check whether the number of components is complete.

**Step 2:** Splice the Rear Bumper.





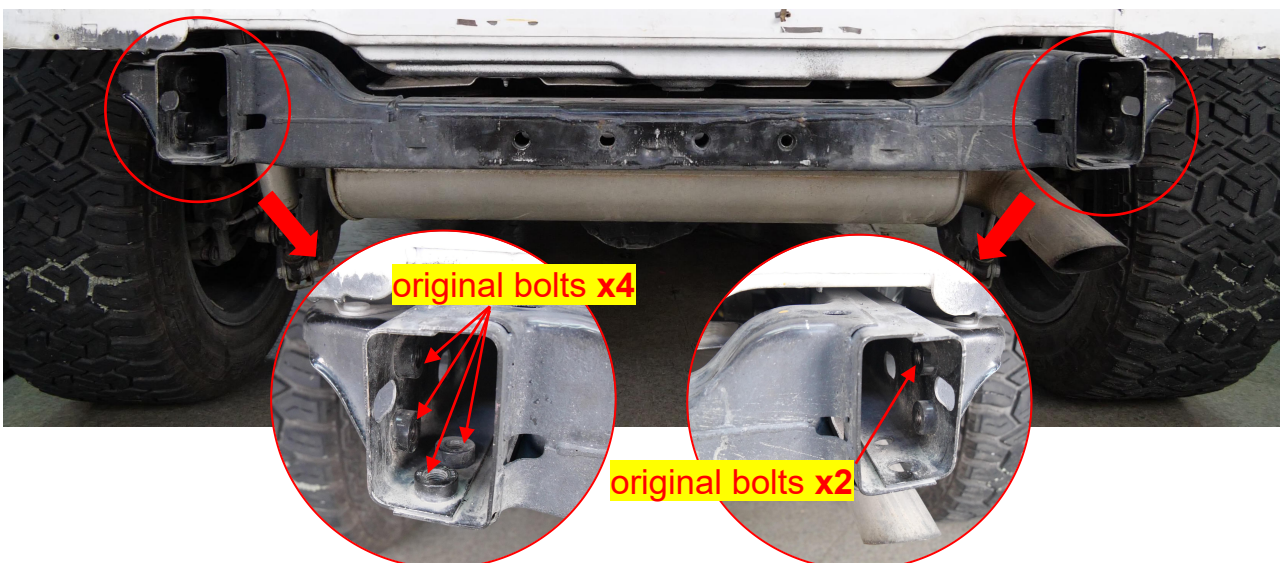
The Rear Bumper is assembled.



**NOTICE:** Do not tighten the screw in this step.

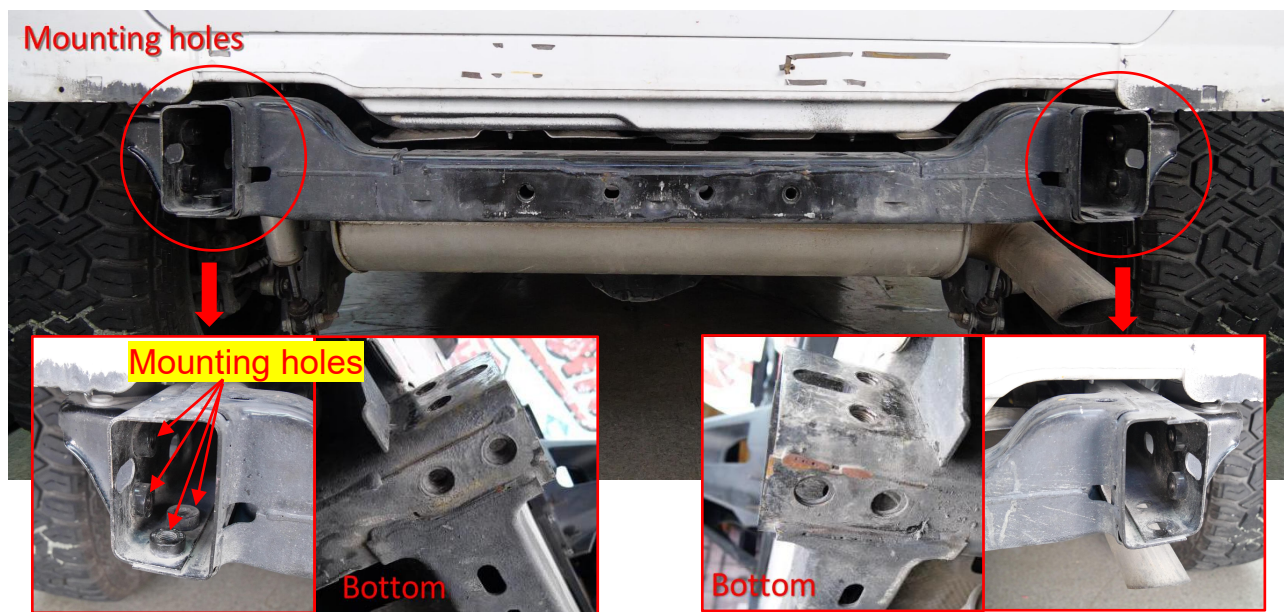
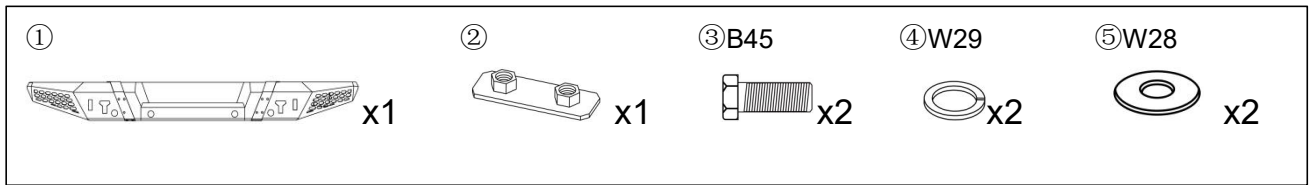
**Step 3:** Clean the rear of the car to ensure it is free of dust, dirt, and debris.

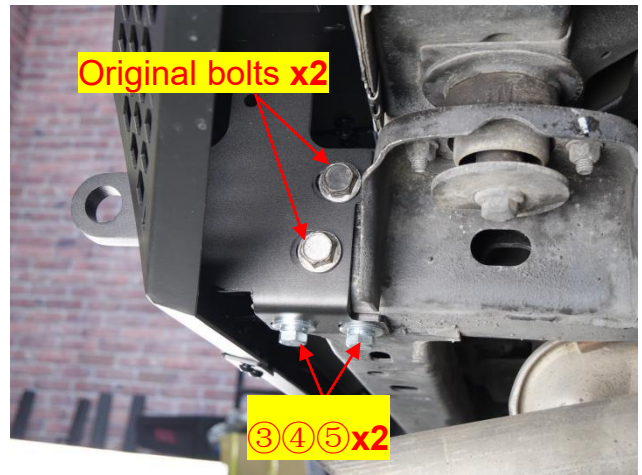
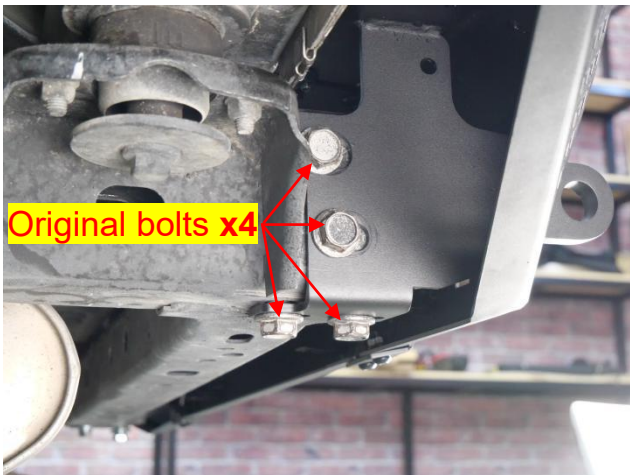
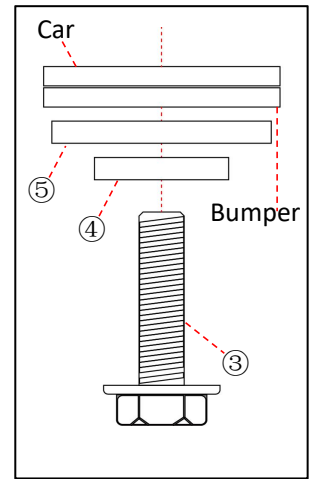
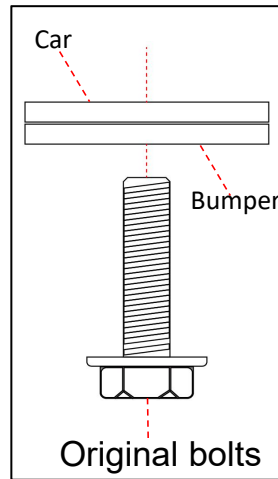
**Step 4:** Uninstall the vehicle's original bolts (6 pcs) before installation and keep it.



**NOTICE:** The car shown above has 6 original bolts, but other versions may have 2 bolts on the left and right sides, a total of 4 original car bolts.

**Step 5:** Install the Rear Bumper.





**NOTICE:** Do not tighten the screw in this step.

**Step 6:** Adjust the balance of the Rear Bumper and the car side and tighten the bolts.

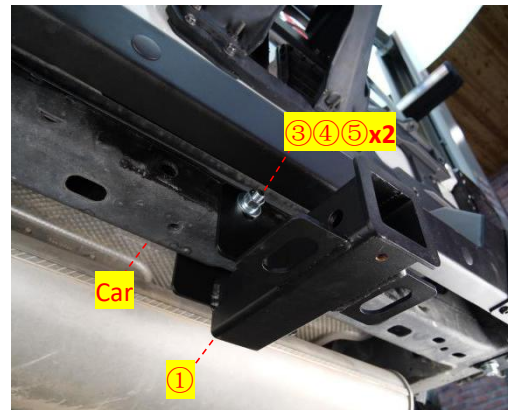
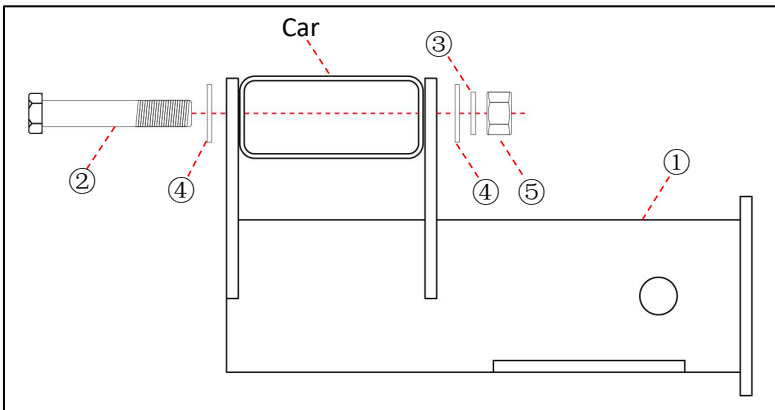
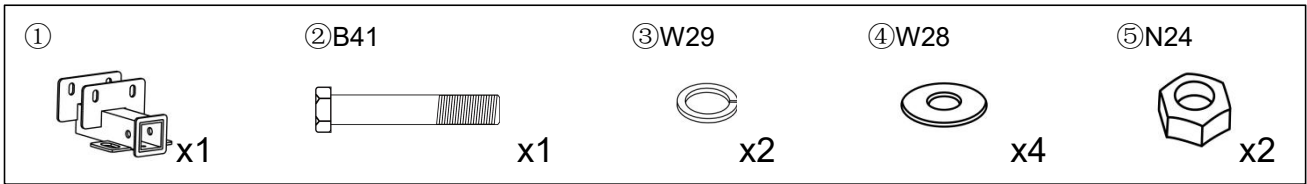


**Step 7:** Tighten all the connecting bolts on the Rear Bumper.





**Step 8:** Install the Tow Trailer Hitch Receiver.



**NOTICE:** Do not tighten the screw in this step.

**Step 9:** Adjust the balance of the Rear Bumper to the ground and tighten the bolts.



**Tips:** Use a stretch ruler to measure and balance the left and right sides of the Rear Bumper. Please ensure that the bumper has the same distance to the ground on both sides.



Tow Trailer Hitch Receiver installed successfully

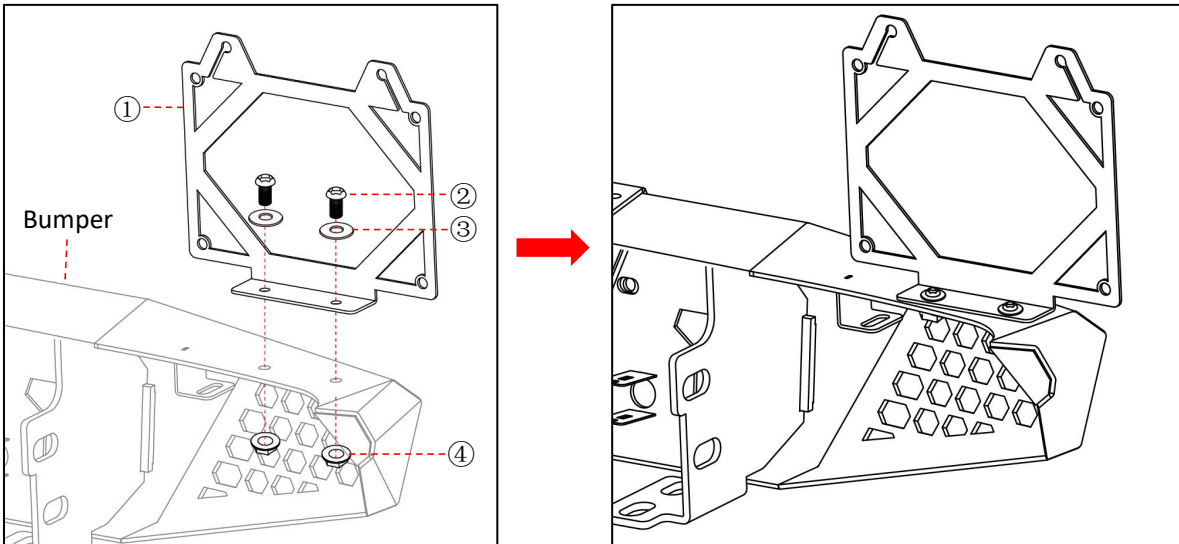


*Tips: Use effect display.*

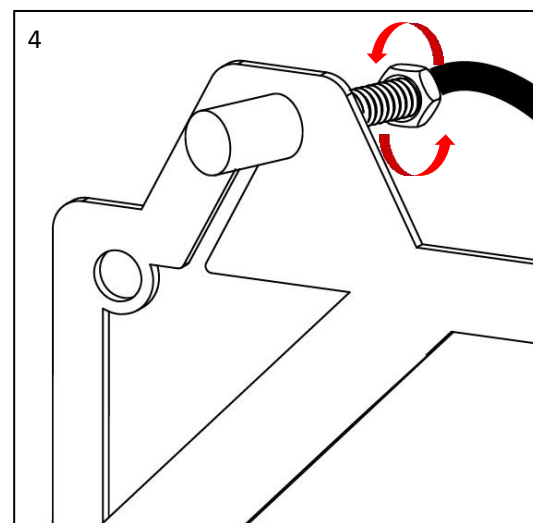
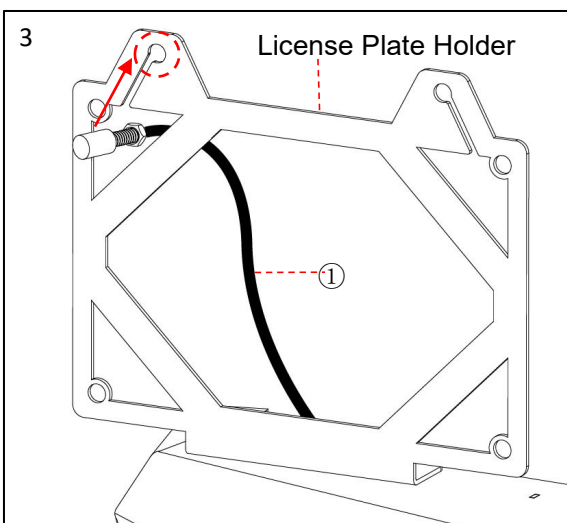
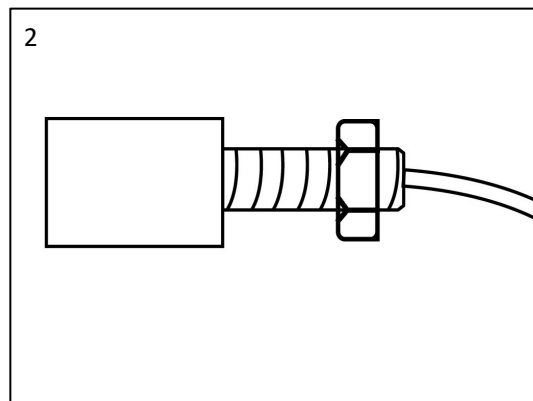
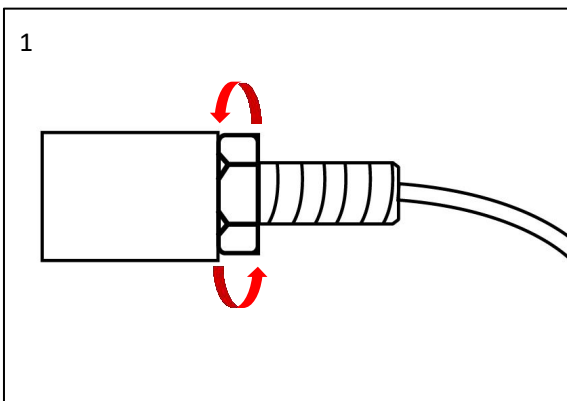
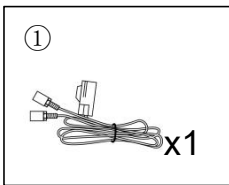


**Step 10:** Install the License Plate Holder.

①  x1	② B50: M6x15  x2	③ W10: Φ6  x2	④ N08: M6  x2
--	---	--	--

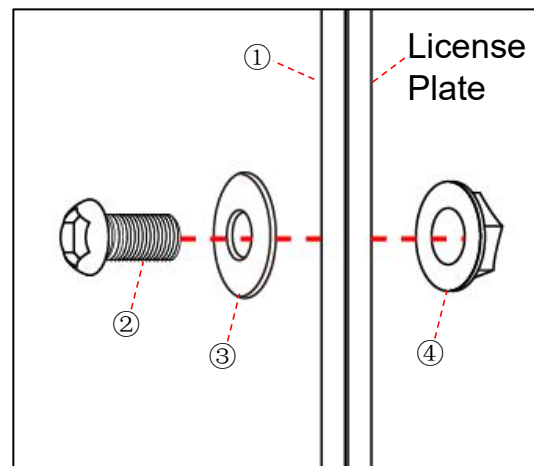


**Step 11:** Install the License Plate Light.





**Step 12: Install the License.**

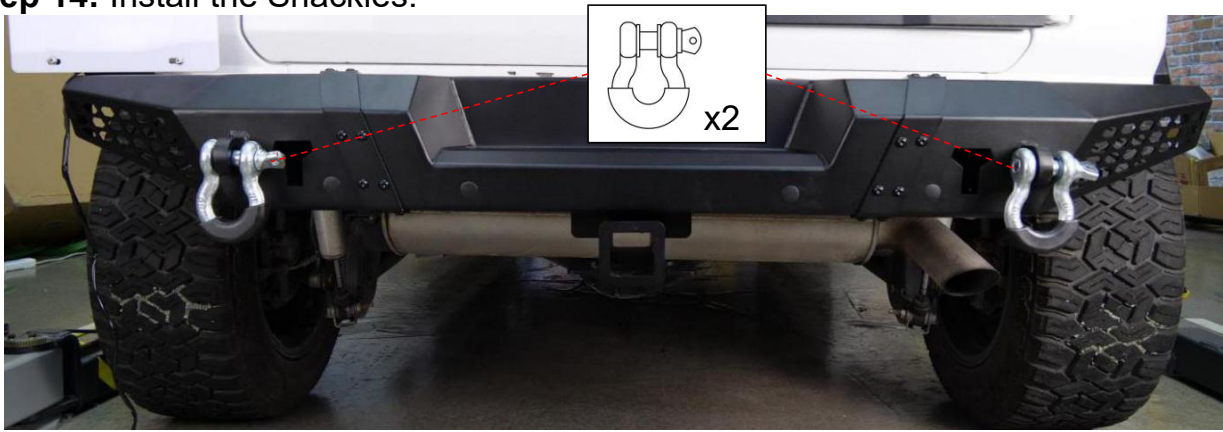


**Step 13: Connect the License Light.**

Plug the License light plug to the original License light plug.

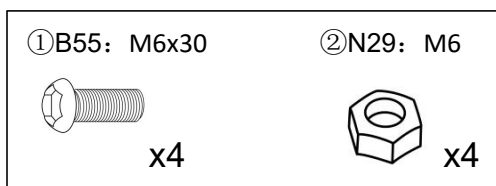


**Step 14: Install the Shackles.**

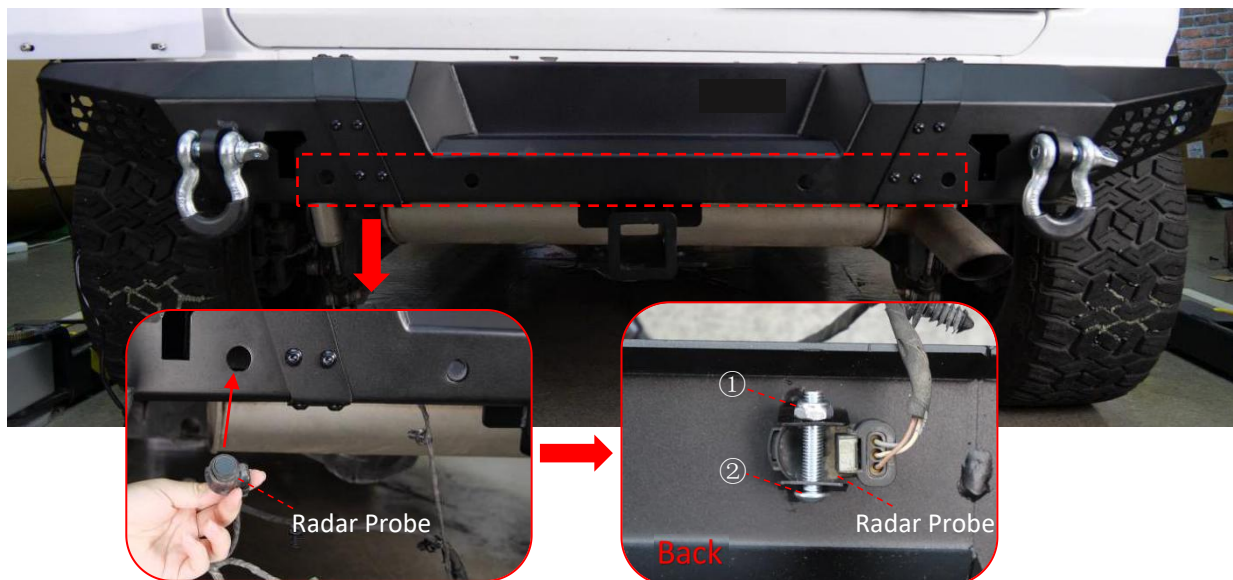
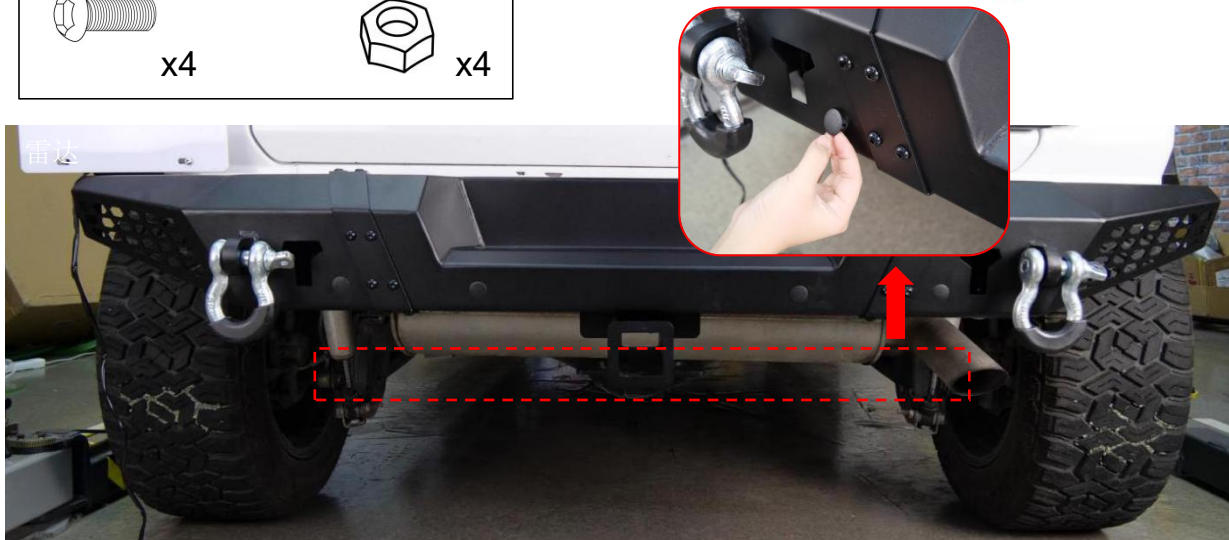


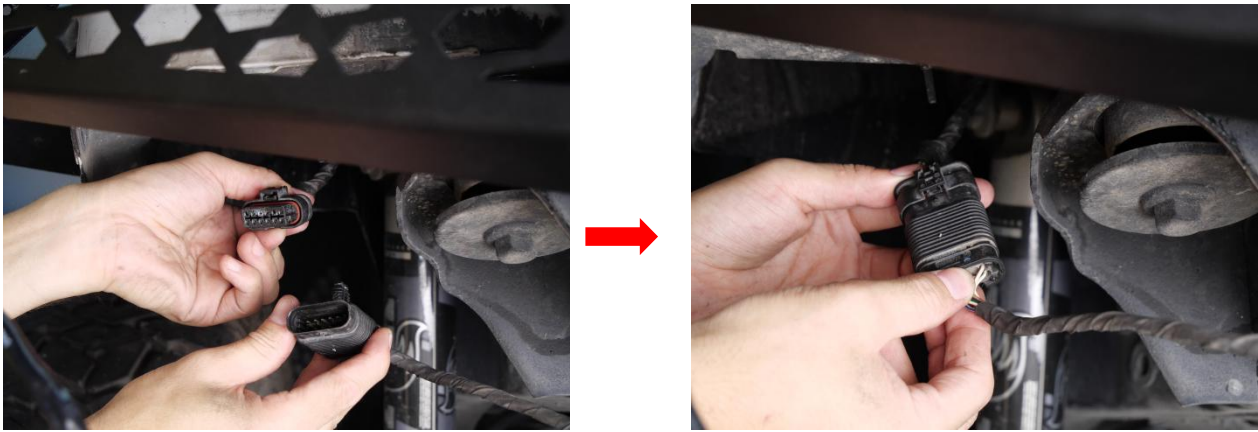
**Step 15: Install the Radar Probe.**

**Note:** If the car does not have a radar probe, this step can be ignored.



**Pull out the rubber stoppers**





**Step 16:** Installation of the Rear Bumper is complete. Please do periodic inspections of the Rear Bumper to make sure that all hardware is secure and tight.