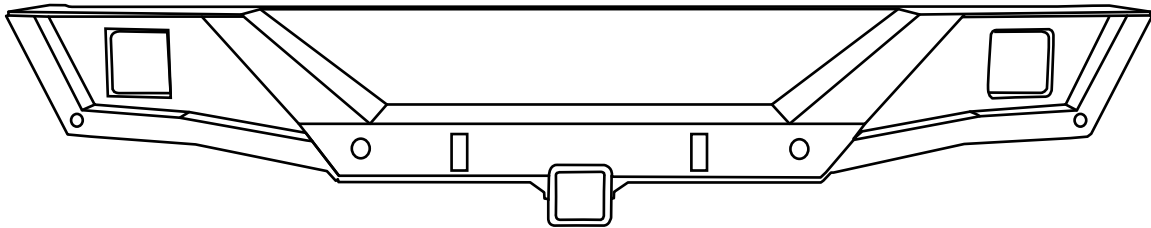


Rear Bumper

————— User Manual —————



Model: NJL01B102

Material: Q235A

Product Dimensions: 1637*281*311mm

Package Dimensions: 47.64*28.35*10.24inch

Product Weight: 93.83lbs

Thank you for purchasing the 2018-2020 JEEP JL Rear Bumper. Please read this manual carefully and keep it properly in case you need to refer to it afterwards. If you need any support or assistance, please contact us with your product model number and order number, our support team will help you solving problems.

WARNING

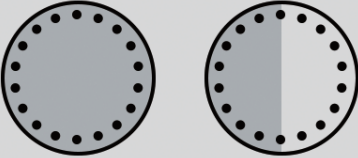

⌘ This product is designed to enhance the appearance of your vehicle. It's NOT designed to prevent the driver or passengers from injury or death during an accident. To make a safe driving environment and reduce the risk of injury or property damage, please read all safety messages and all instructions and procedure notices before you attempting to install or use this product.

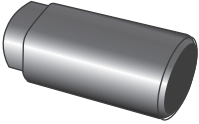
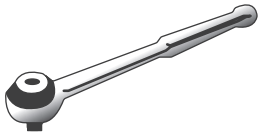

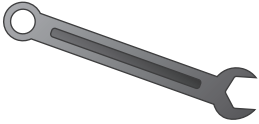
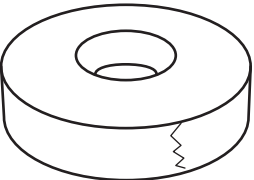
CAUTION

- ⌘ Properly torque and recheck fasteners and security of step tread after 250 miles and frequently thereafter. Inspect and do not use if it's damaged.
- ⌘ Our bumpers are heavy and we highly recommended that make sure there's someone strong or experienced to help your installation of the bumper.


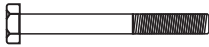


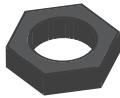
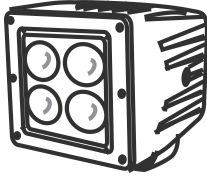



Jeep Rear Bumper Parts & Tools

| INSTALLATION TIME | SKILL LEVEL |
|--|--|
|  <p>1-1/2 Hours</p> |  |

| REQUIRED TOOLS | | | |
|---|--|--|---|
| <p>Socket</p>  | <p>Ratchet</p>  | <p>Safety Glasses</p>  | <p>Wrench</p>  |
| <p>masking tape</p>  | | | |

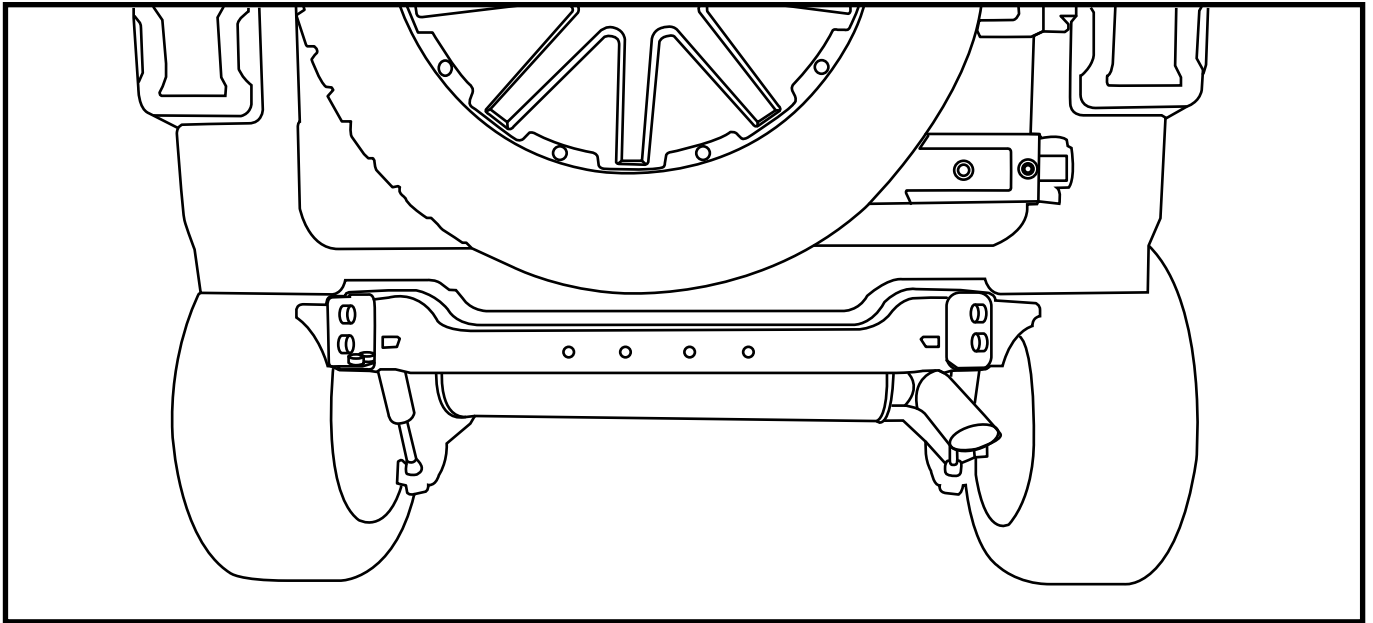
Parts Information

| Parts Name | Size | Line Graph | Quantity | Color |
|-----------------|--------------------|---|----------|--------------|
| Rear Bumper | 1637*281 *311mm |  | 1 | Black |
| Hex Head Bolt | M12*120mm -8.8 |  | 4 | Dacro Black |
| Flat Washer | 12*30*3mm |  | 8 | Dacro Black |
| Spring Washer | M12 |  | 4 | Dacro Black |
| Hex Nut | M12-8 |  | 4 | Dacro Black |
| 4 Inch Ledlight | |  | 2 | Black |
| Original Screw | |  | 4 | Dacro Silver |

Rear Bumper Installation Instructions

Step 1:

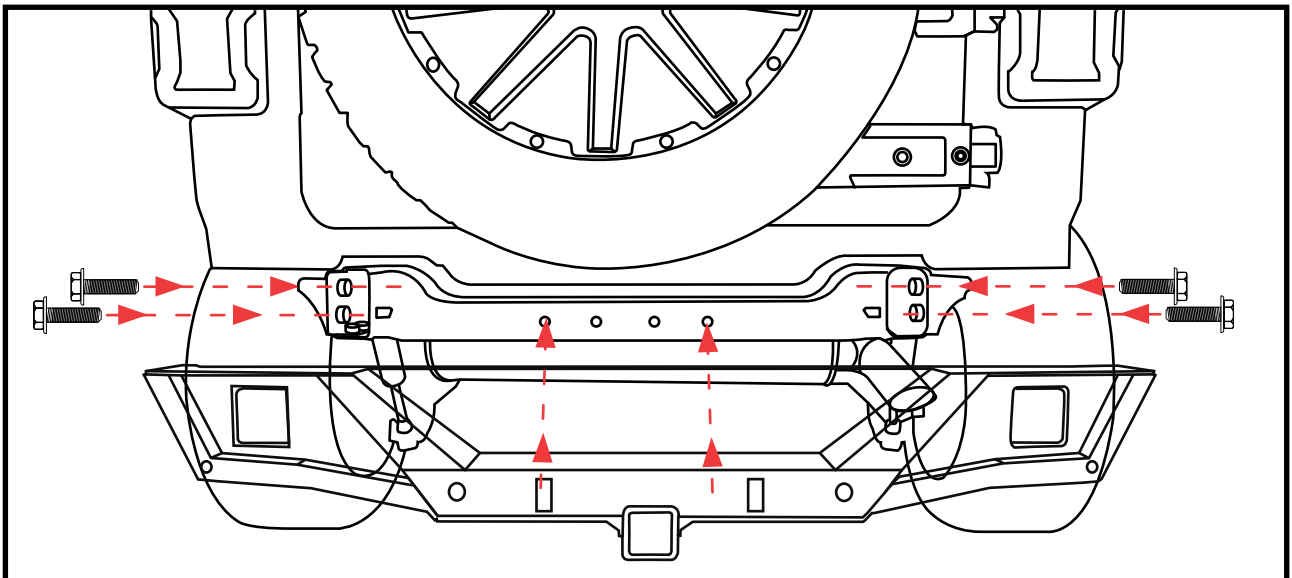
Uninstall the vehicle's rear head bolts (4 pcs) before installation, keep it for Step 2 and ready to install.

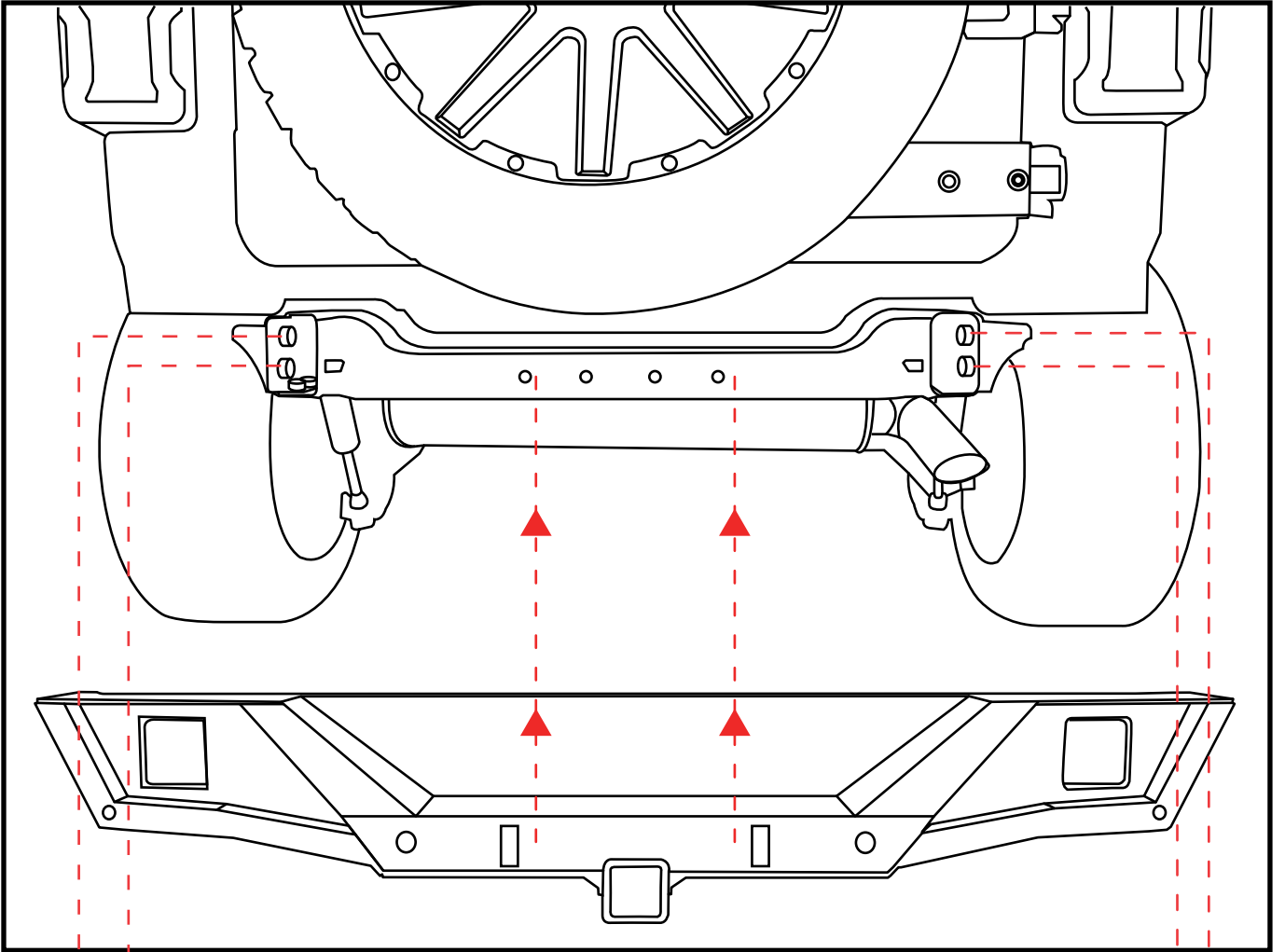


Original screw:  x 4 pcs

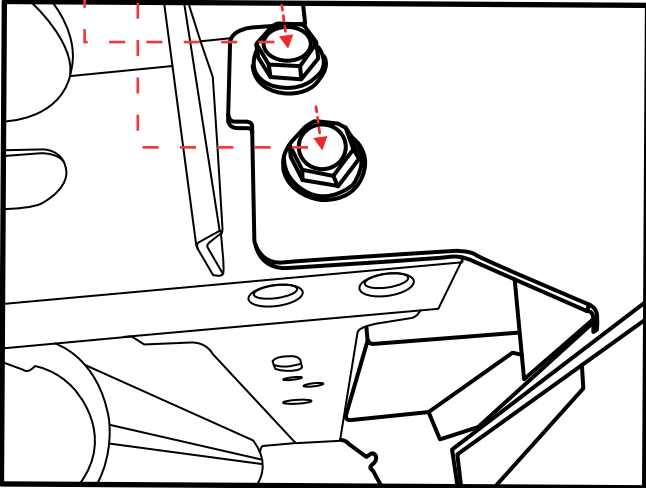
Step 2:

After aligning the rear bumper. Use the original factory hex head bolts to fasten the bumper as shown from the illustration.

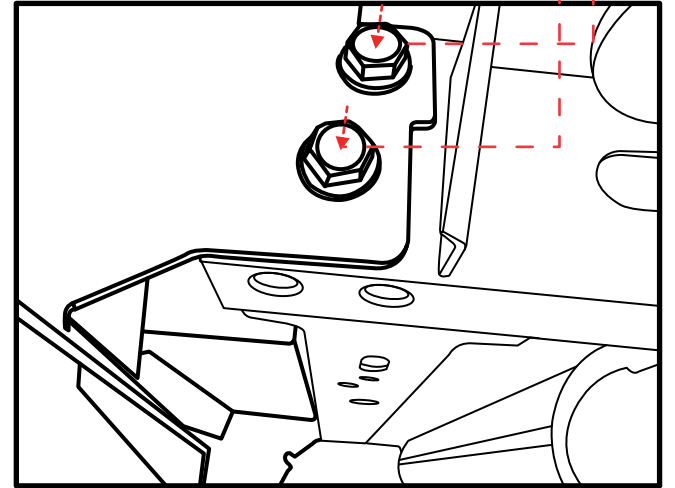


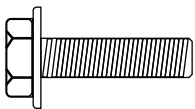


Side view



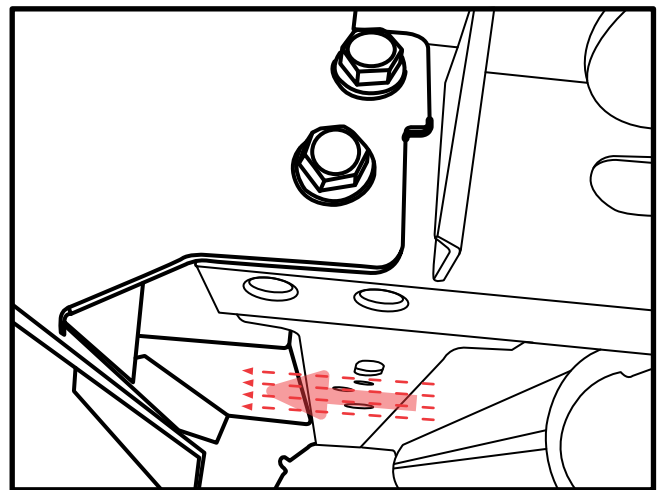
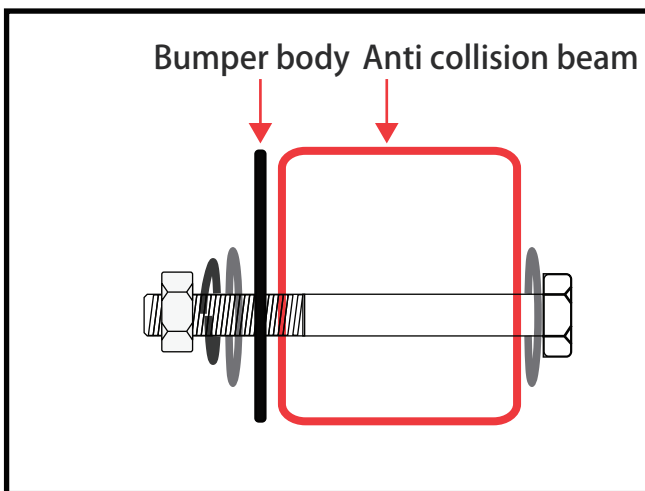
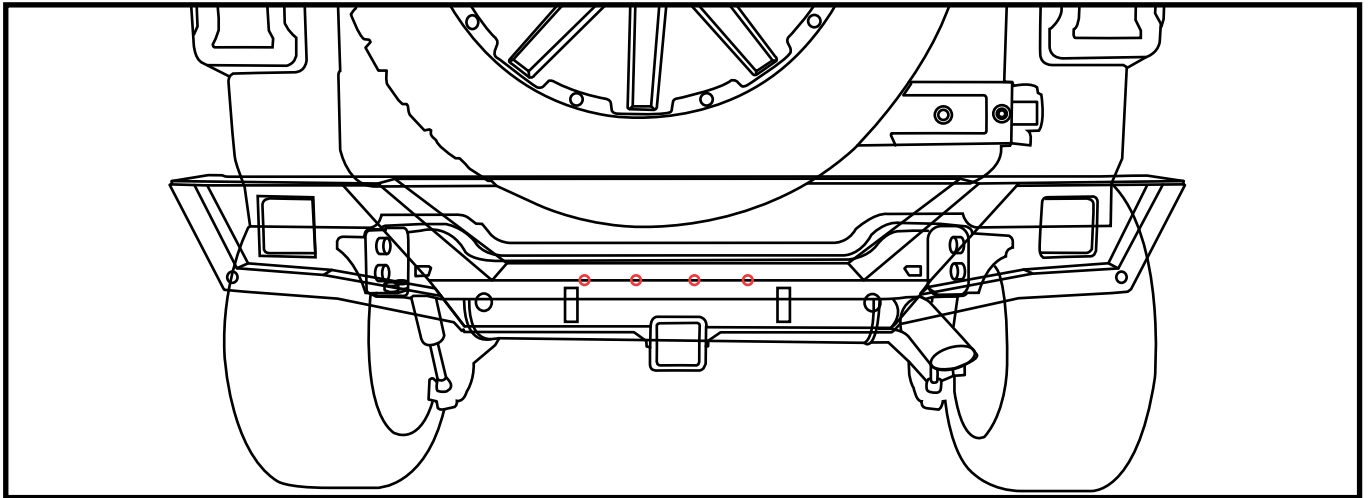
Side view

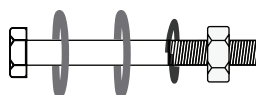


Original screw:  x 4 pcs

Step 3:

Use the delivery screw to tighten and reinforce the bumper in the order of hex head bolts, flat washers, anti collision beams (product body), flat washers, spring washers, and hex nuts.



Delivery screw:  x 4 pcs

Step 4:

In order to adapt to different models, we have reserved 4 holes in the 4 positions shown in the figure if you need to install the rear monitor. At the same time, we offer you with 4 covers. When you do not need to use these holes, you can cover them with covers.

