

FRONT BUMPER

User Manual

2018-2022 Jeep Wrangler JL
2007-2018 Jeep Wrangler JK
2019-2022 Jeep Gladiator JT



Model:	NJL01A107
Material:	Q235A
Product Dimensions:	45.19 x 16.05 x 11.33 inch
Package Dimensions:	29.92 x 18.5 x 9.84 inch
Product Weight:	56.98 lbs

※Thank you for purchasing the FRONT BUMPER. Please read this manual carefully and keep it properly if you need to refer to it afterward. If you need any support or assistance, please contact us with your product model number and order number, and our support team will help you solve problems.






⚠ WARNING

※ This product is designed primarily to enhance the appearance of the vehicle. Do not rely in any way on the components of this product to protect against injury or death in the event of an accident. To reduce the risk of serious injury or property damage, please read all safety messages and understand all instructions and procedure notices before attempting to install or use this product.

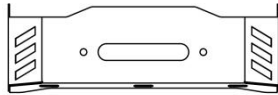

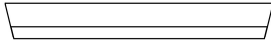
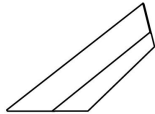




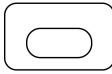
⚠ CAUTION


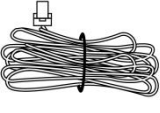
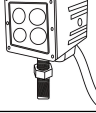
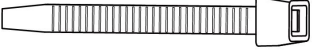

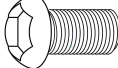

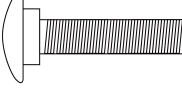

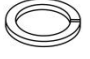

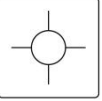
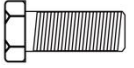
※ Properly torque and recheck fasteners and security of step tread after 250 miles and inspect frequently. Do not use if damaged.

REQUIRED TOOLS

Socket 	Ratchet 	Wrench 	Allen Wrench 	Safety Glasses 
---	--	---	--	---

Parts Information

Parts NO.	Parts Name	Size	Line Graph	Qty	Color
/	Mid Bumper	/		1	Black
/	Left/Right Bumper	/		2	Black
/	Top Bumper	/		1	Black
/	Left/Right Top Bumper	/		2	Black
/	Winch Bracket	/		1	Black
/	License Bracket	/		1	Black
/	Tow Hook Bracket	/		1	Black
/	Bolt Plate	/		2	Black
/	Plate	54x33		2	Black

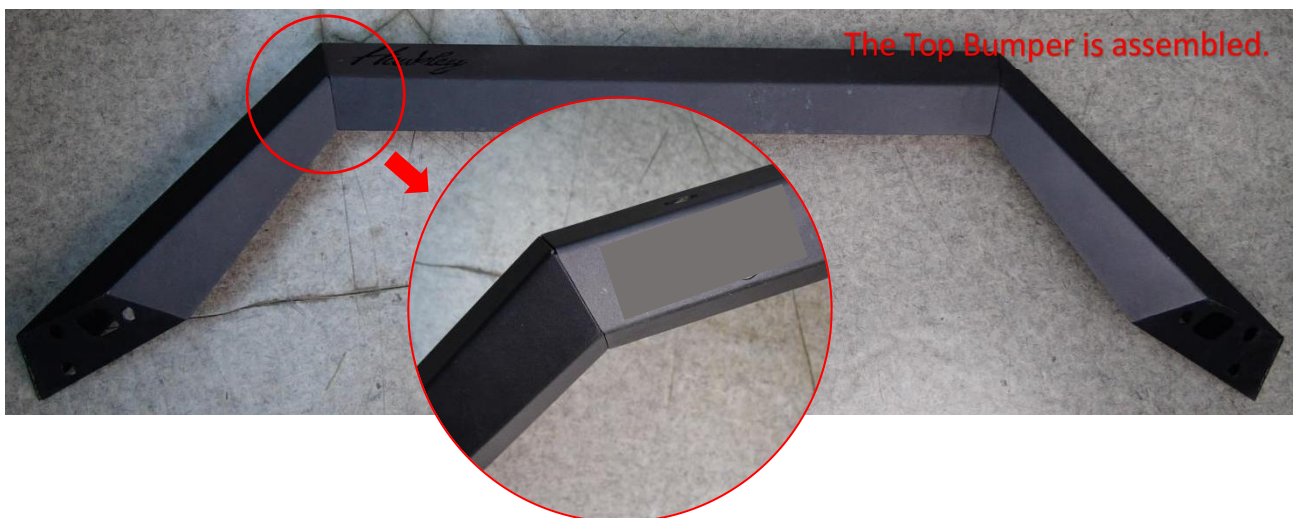
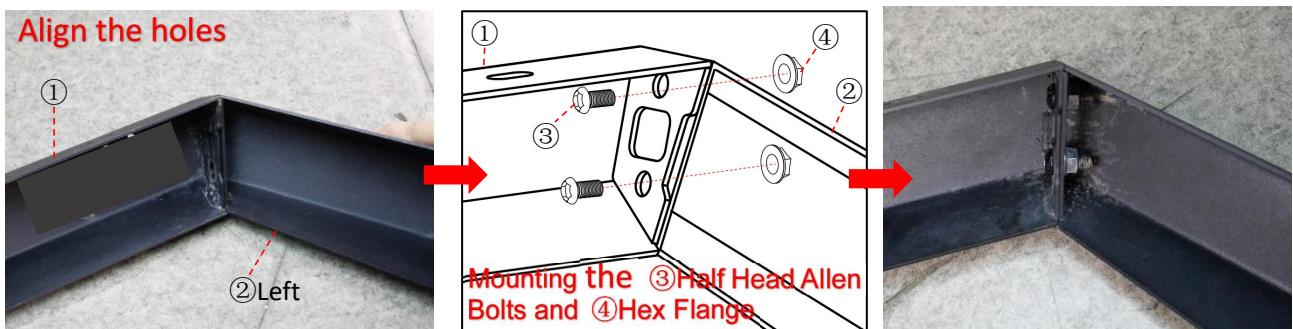
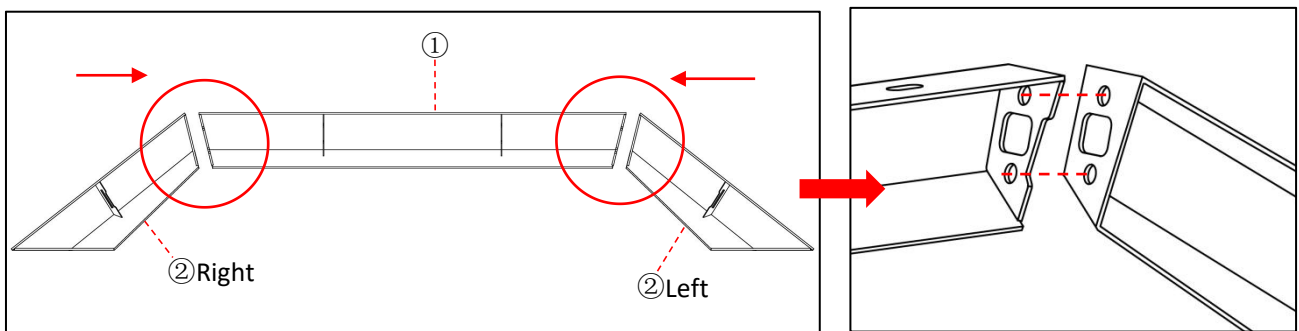
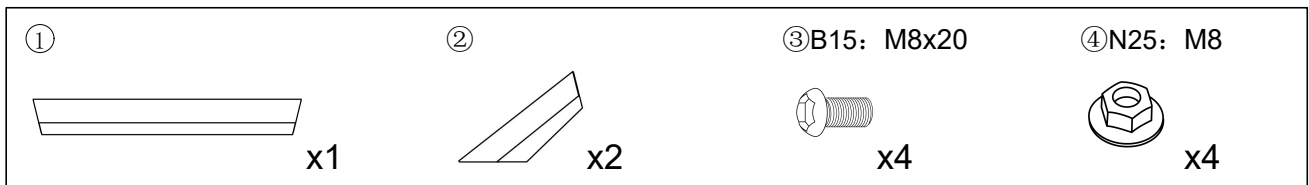
Parts NO.	Parts Name	Size	Line Graph	Qty	Color
/	Shackles	/		2	PVC+Blue Zinc Plating
/	LED Light Wiring Harness	/		1	Black
/	4 Inch Ledlight	/		2	Black
/	Ribbon	5x250		10	Black
W39	Flat Washer	Φ12x44x3		3	Blue Zinc Plating
B15	Half Head Allen Bolts	M8x20		17	Dacro Black
N25	Hex Flange Nuts	M8		11	Blue Zinc Plating
B43	Square Neck Bolt	M10x35		9	Blue Zinc Plating
W33	Flat Washer	Φ10x25x2		9	Blue Zinc Plating
W32	Spring Washer	Φ10		11	Blue Zinc Plating
N26	Hex Nuts	M10		9	Blue Zinc Plating
W21	Plastic Plate	Φ8.5x40x0.8		9	PVC
B53	Hex Bolts	M10x35		3	White Zinc Plating

***Note: spare parts such as W39、 B15、 N25、 B43、 W33、 W32、 N26、 W21、 B53 are provided with 1PCS each (included in the number of parts details).**

Installation Instructions


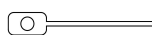
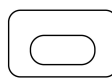
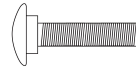

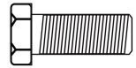


Step 1: Open the carton and take out the parts. Check whether the number of components is complete.

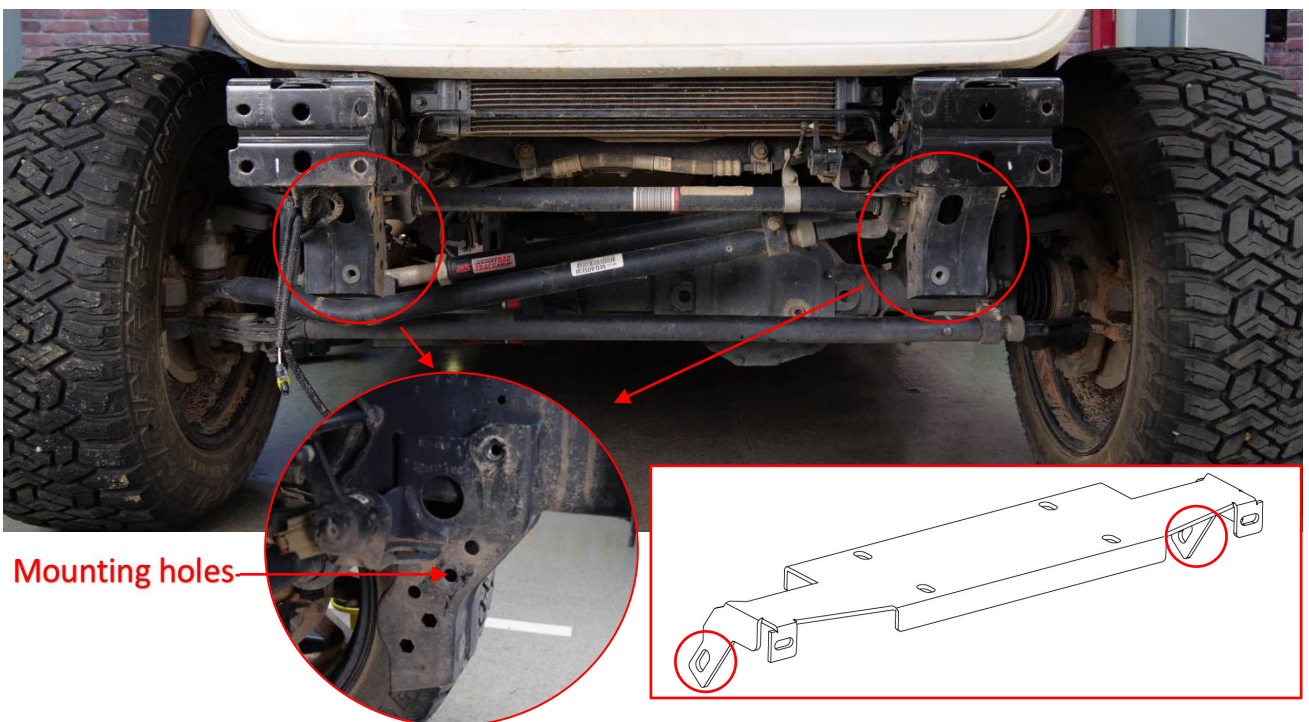
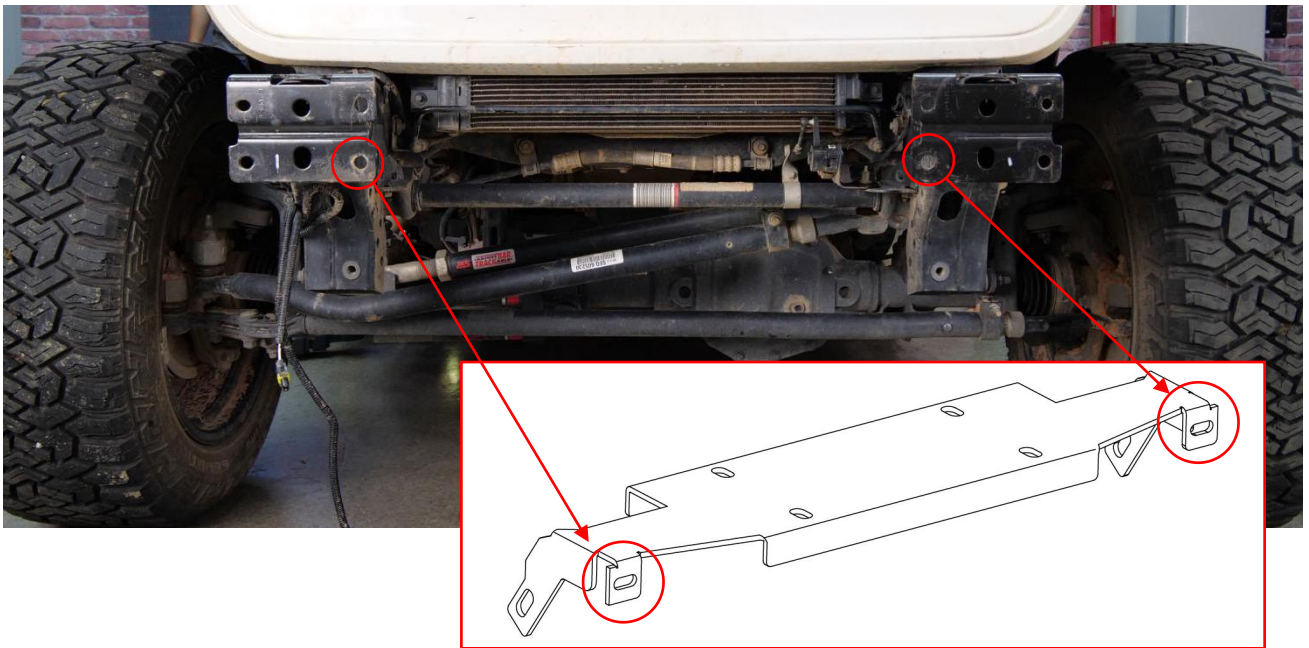
Step 2: Splicing the Top Bumper.

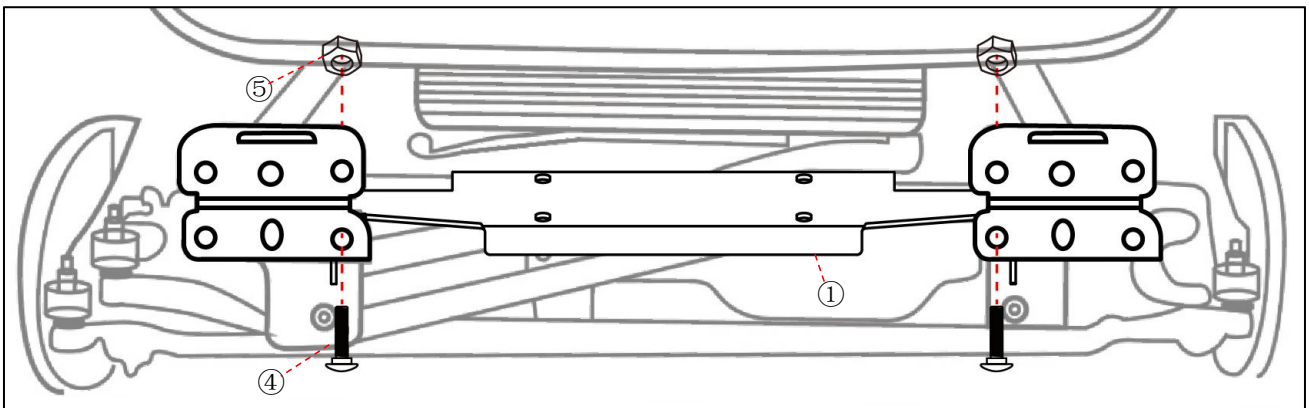
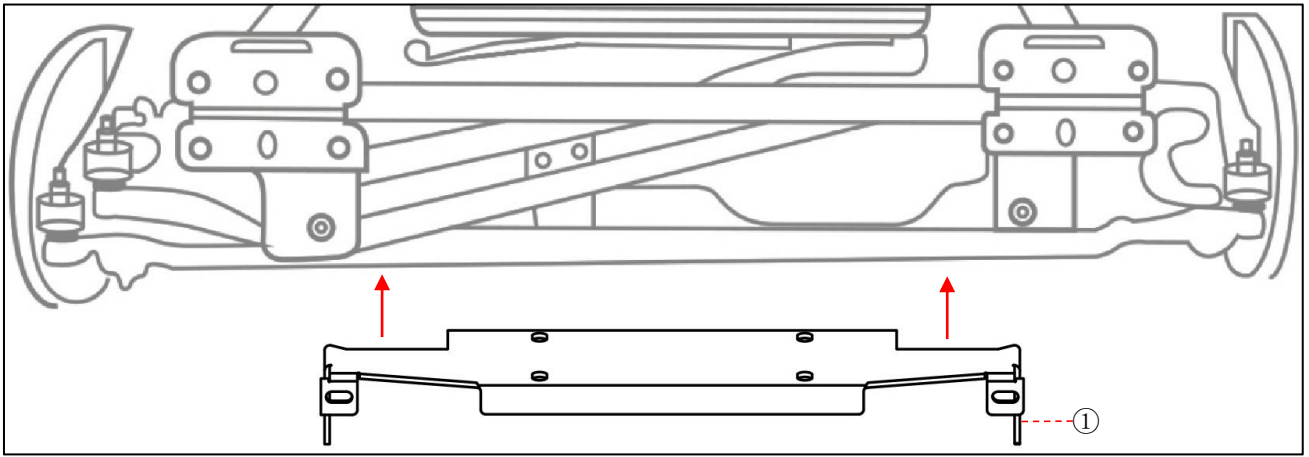


Note: Align of the Top Bumper and tighten the bolts.

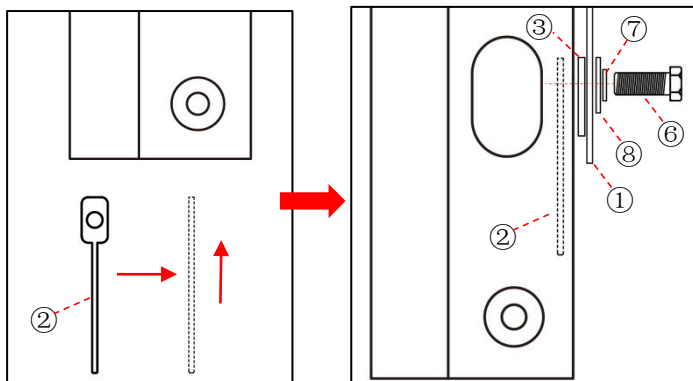
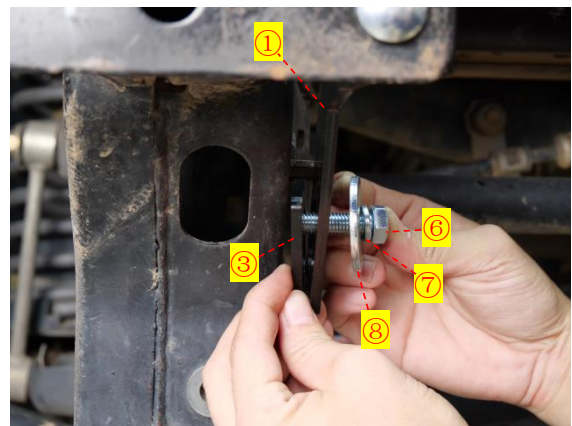
Step 3: Install the Winch Basket.

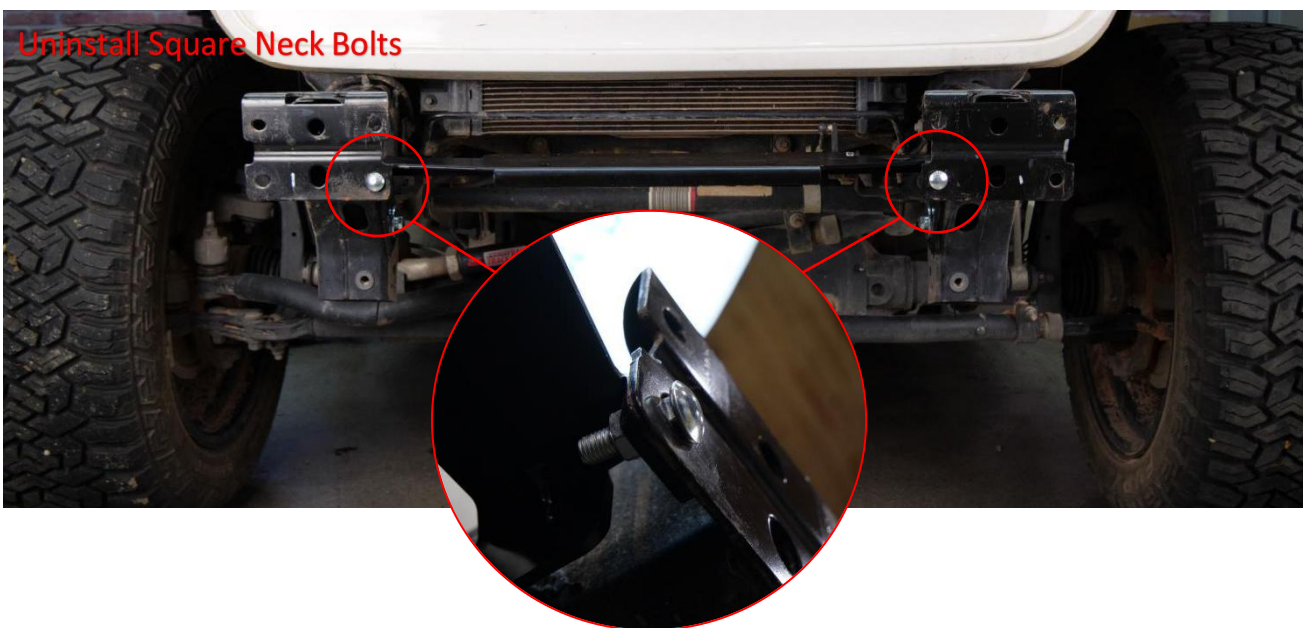
①  x1	②  x2	③  x2	④ B43: M10x35  x2
⑤ N26: M10  x2	⑥ B53: M10x35  x2	⑦ W32: $\Phi 10$  x2	⑧ W39: $\Phi 12$  x2





Note: Please mounting the corresponding bolts at the first. Do not tighten the bolt in this step. JK model do not need to use the ③Plate.

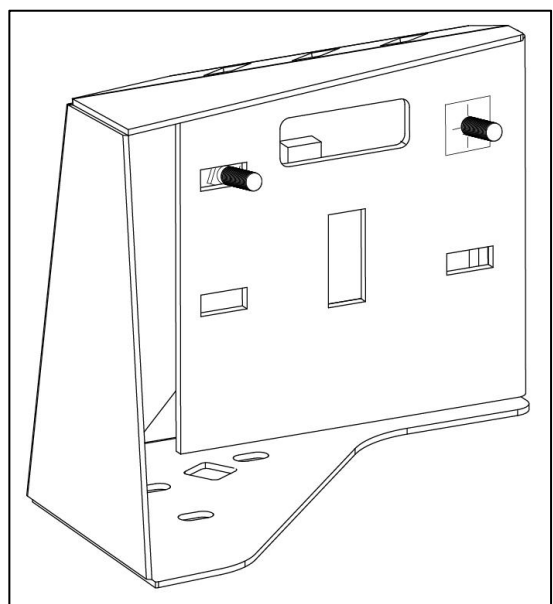
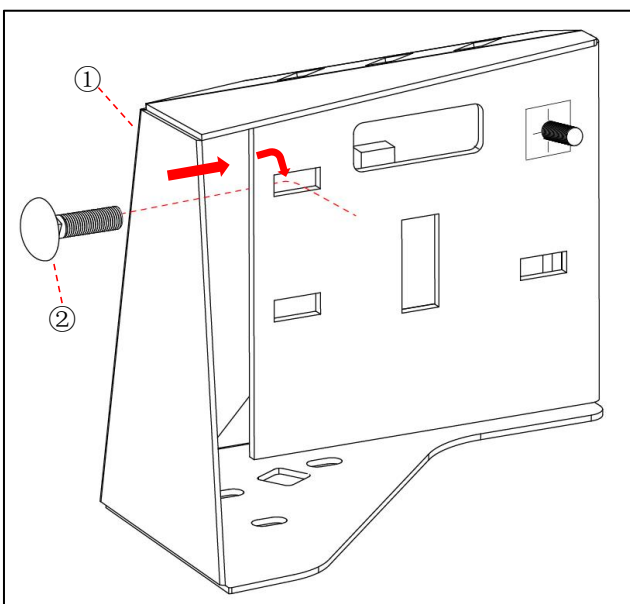
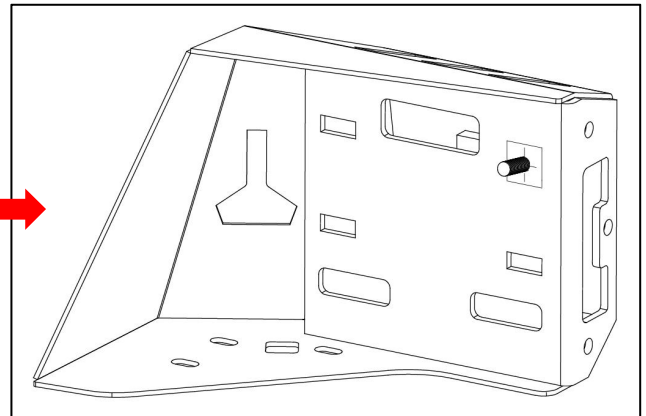
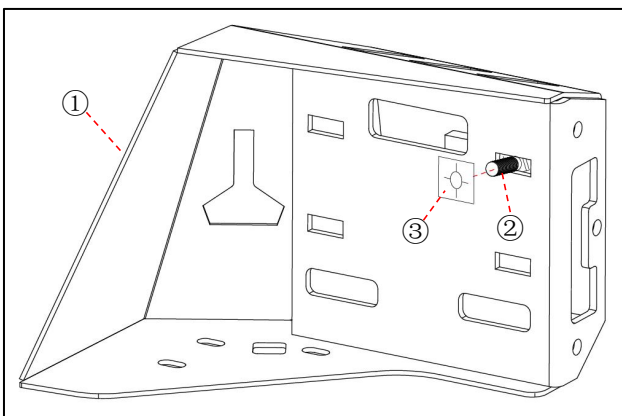
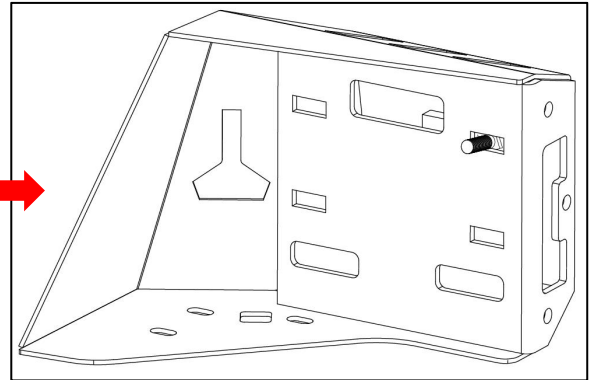
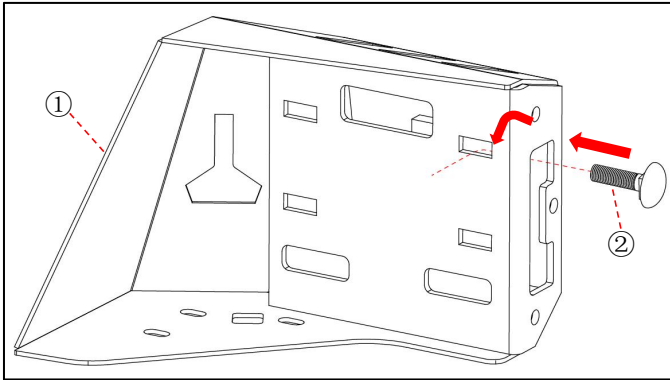
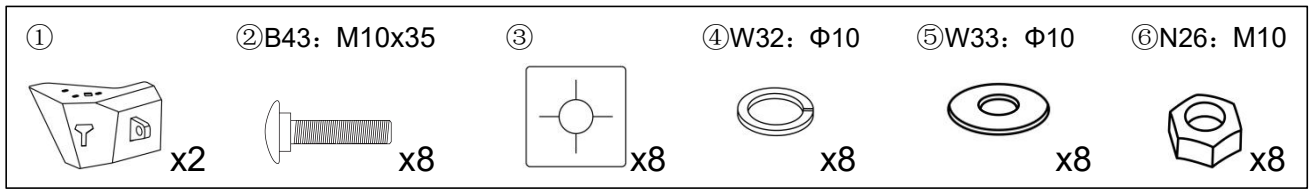


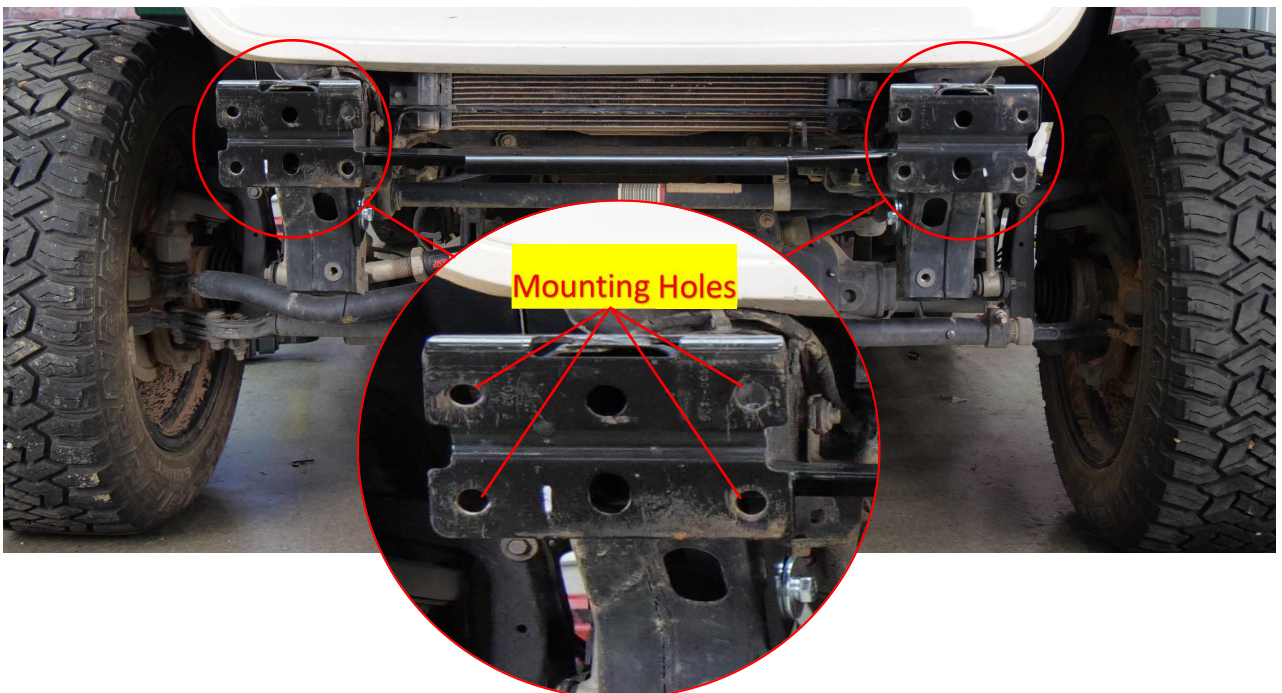
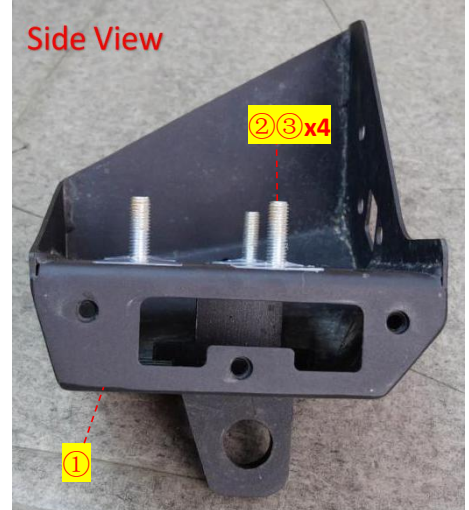
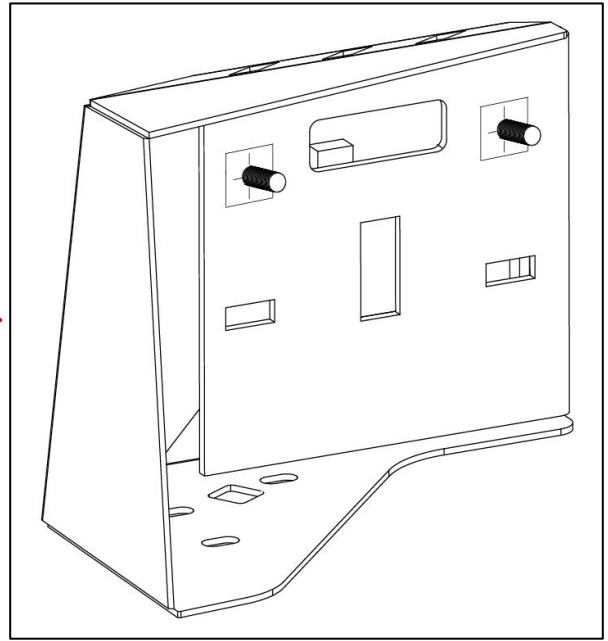
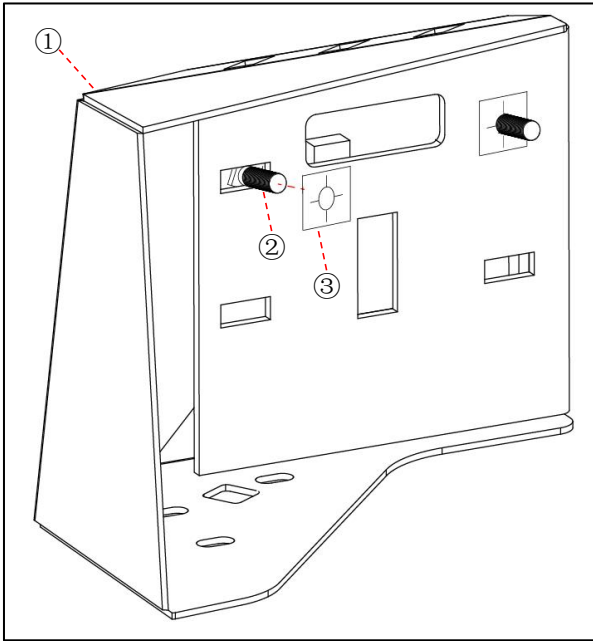


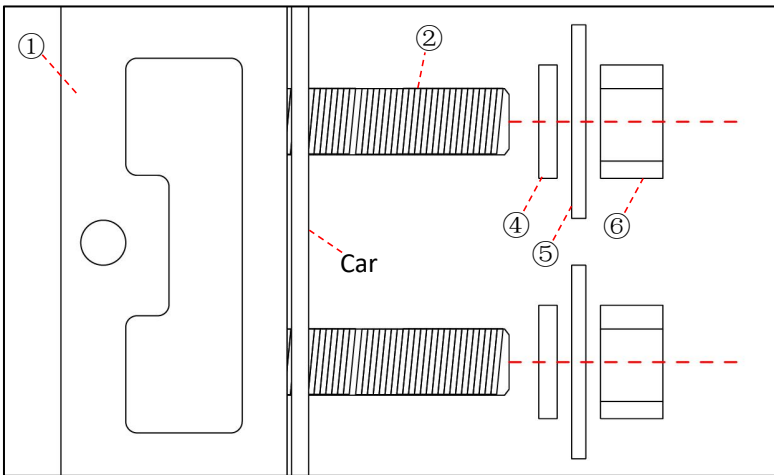
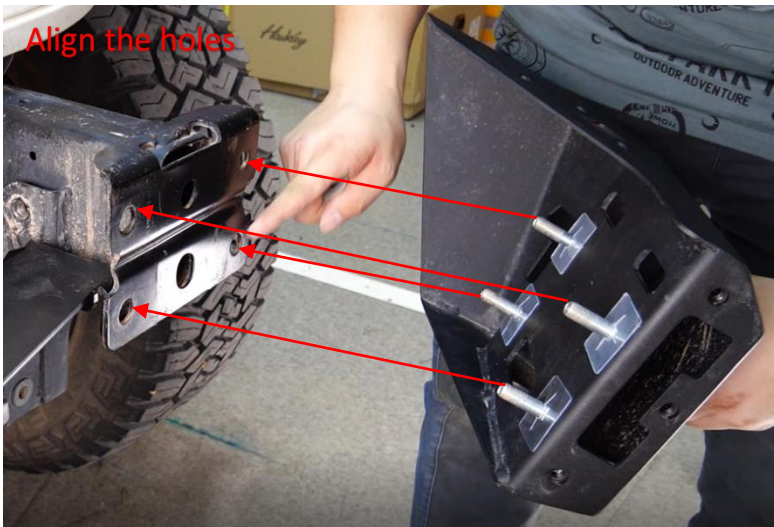
Note: The Bolt is only used to fix the Winch Bracket, and it is convenient to install the two mounting holes under the winch bracket. Please Keep it and use it in the next step.



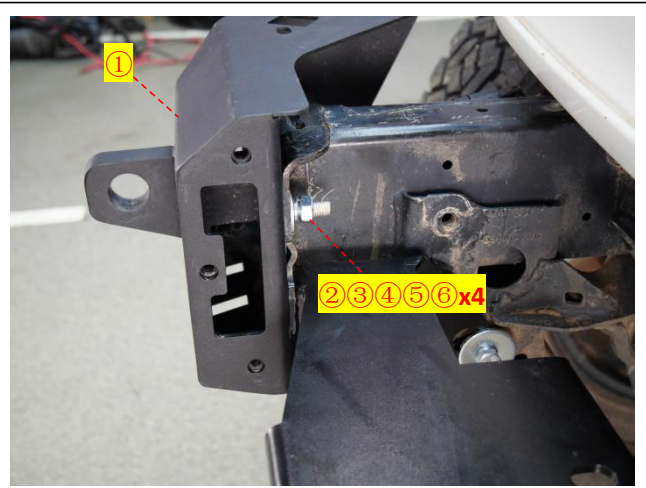
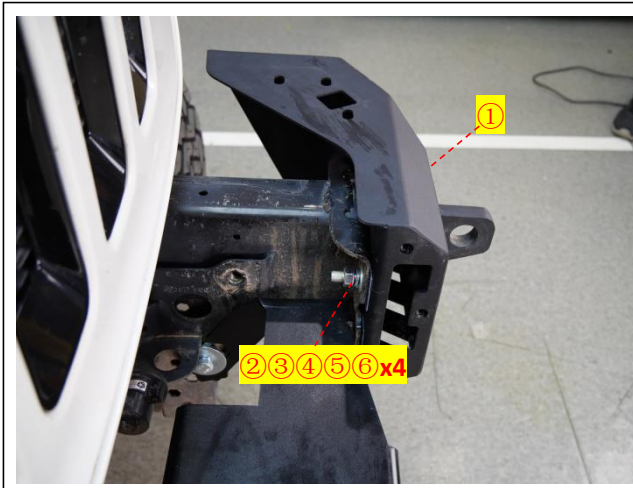
Step 4: Install the Left/Right Bumper.



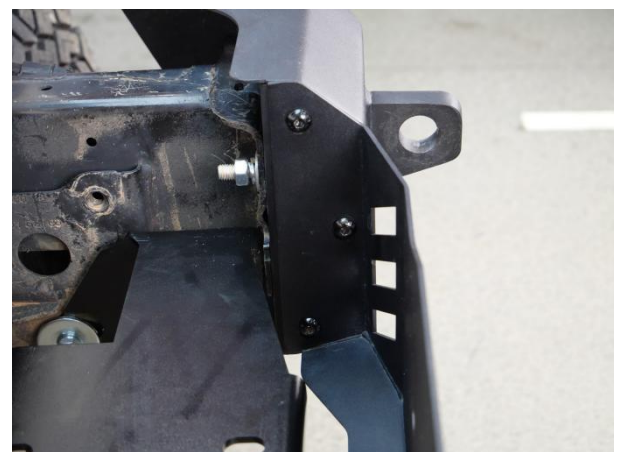
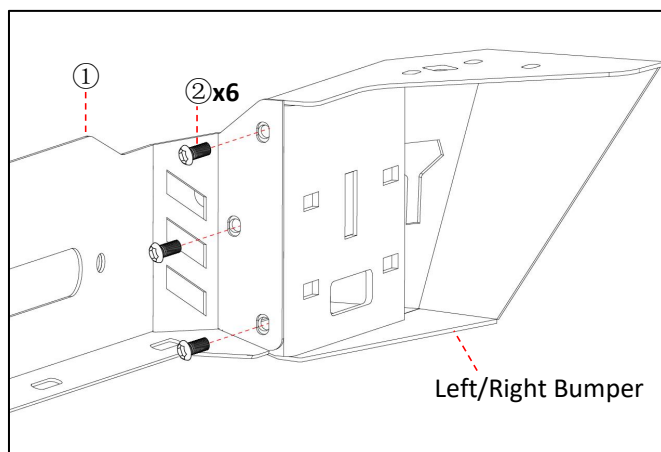
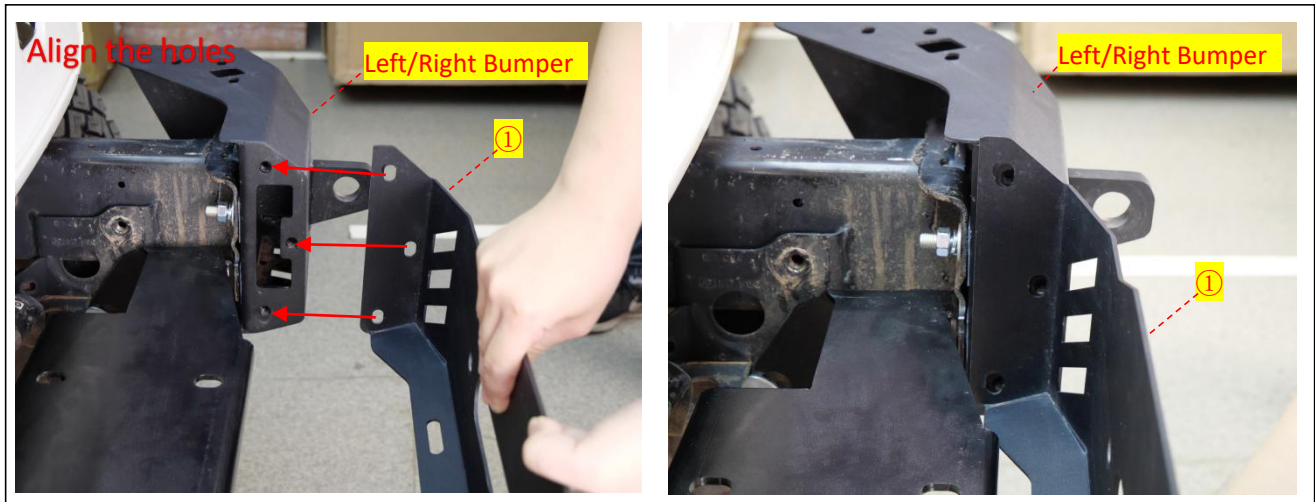
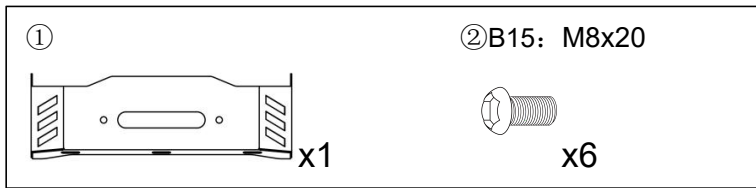




Note: Do not tighten the bolt in this step.



Step 5: Install the Mid Bumper.



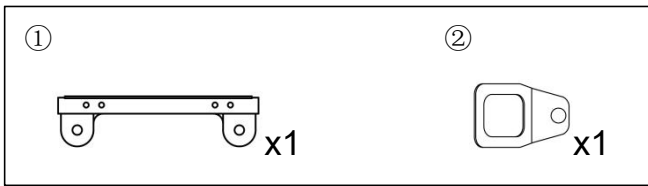
Note: Align of the Mid Bumper and Left/Right Bumper. Tighten the bolts of the Left/Right Bumper(Step 4) at the first, then tighten the bolts of the Mid Bumper.



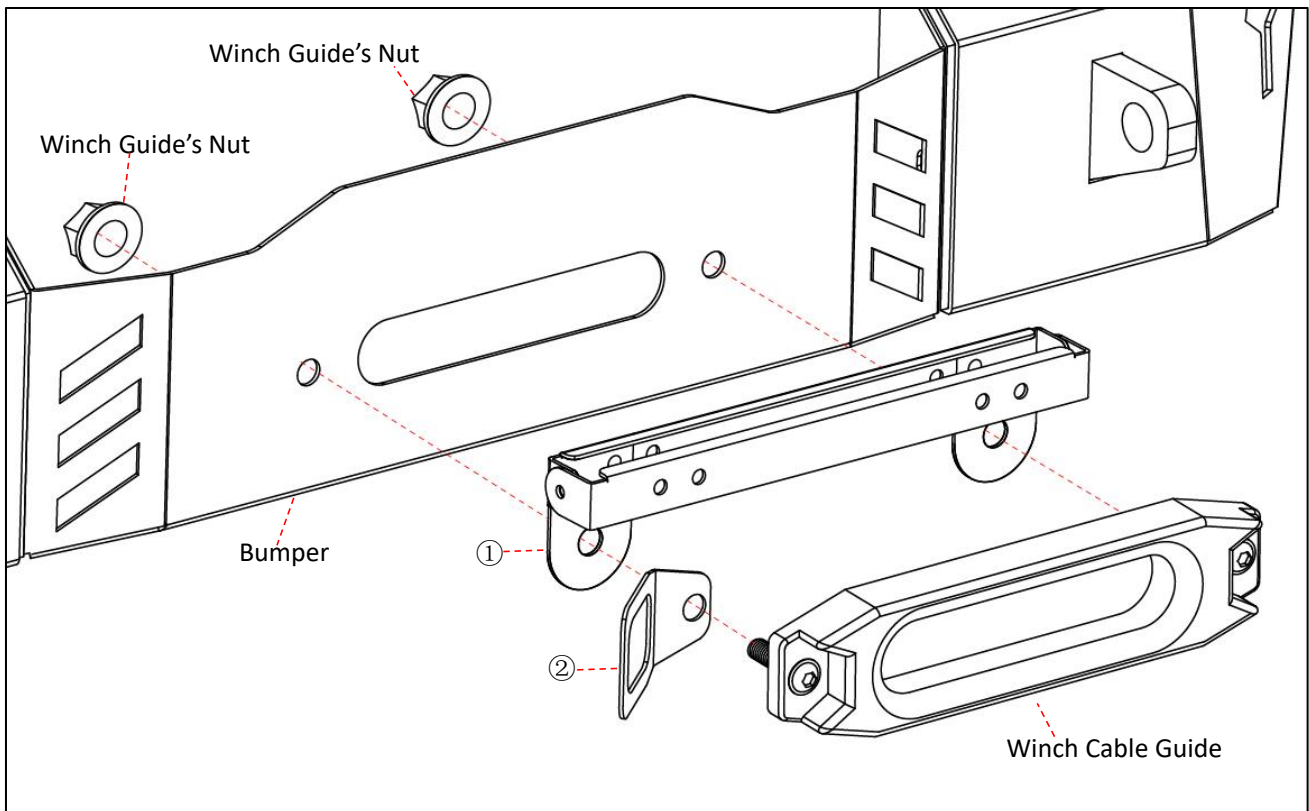
Step 6: Install the Winch.

Note: If the car does not have a Winch, this step can be ignored.

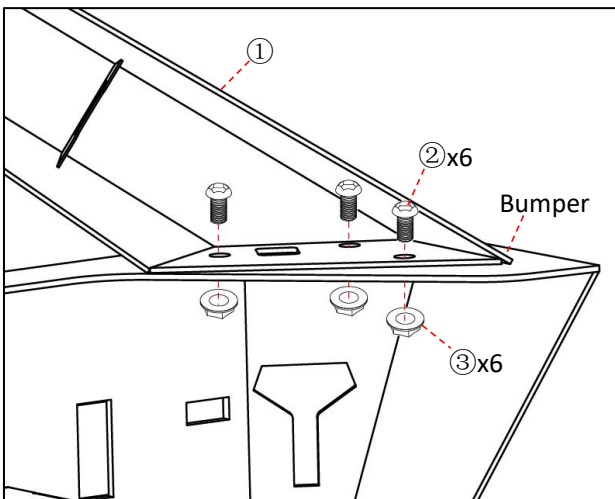
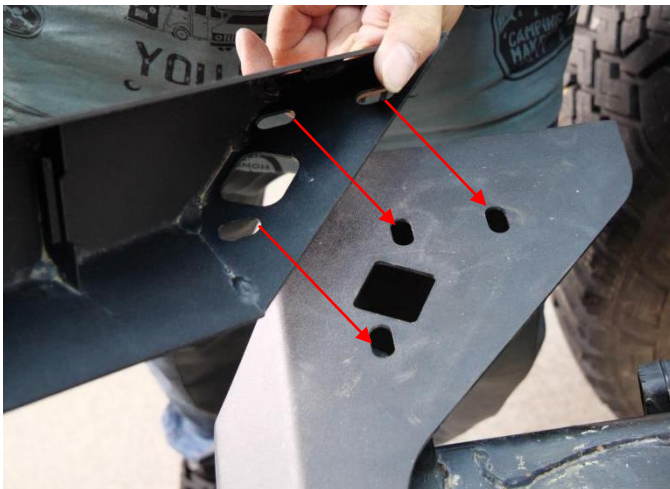
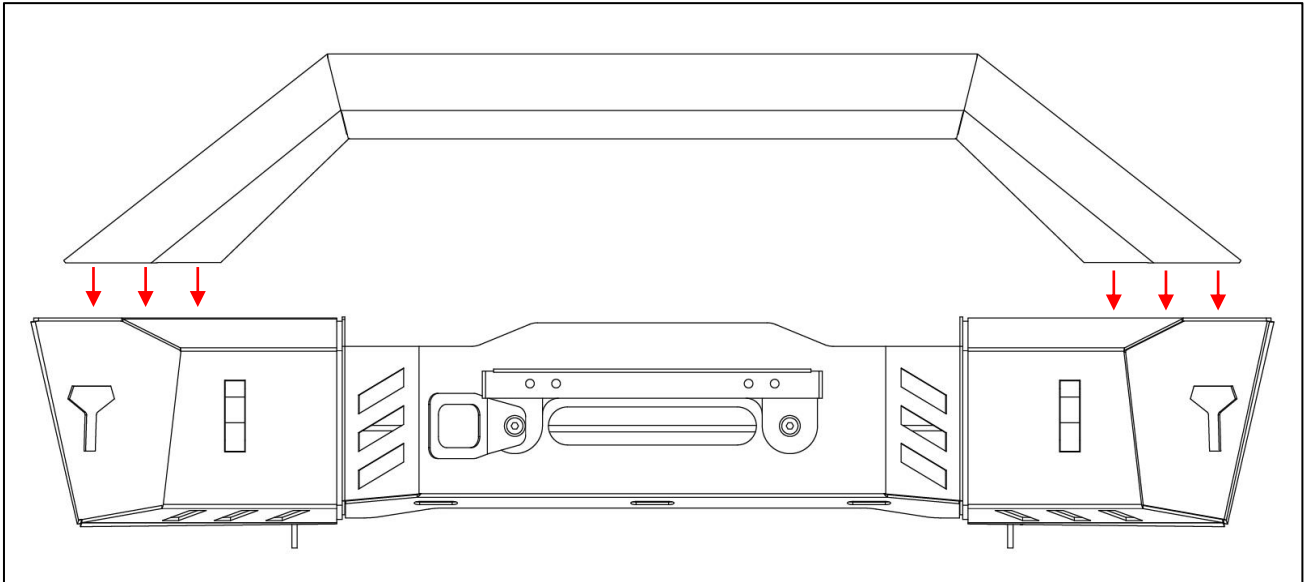
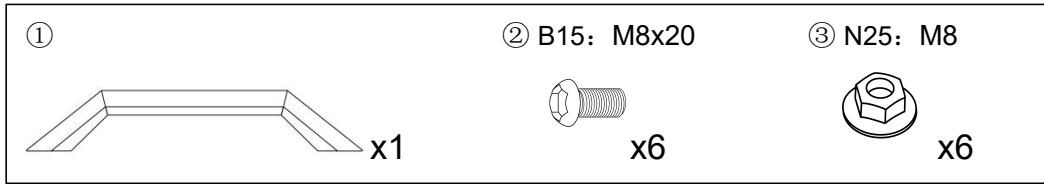
Step 7: Install the License Bracket.



Note: This step needs to be installed together with the Bolts of the Winch Cable Guide. If there is no Winch, please provide the appropriate installation bolts by yourself.



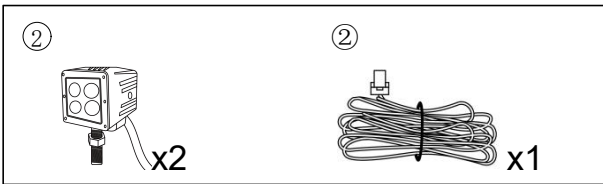
Step 8: Install the Top Bumper.

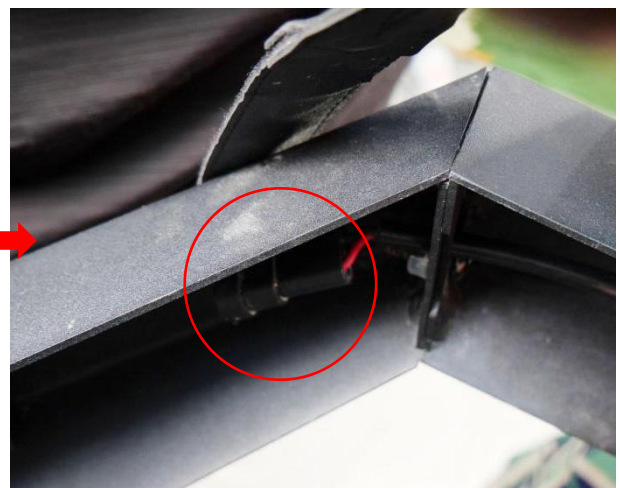
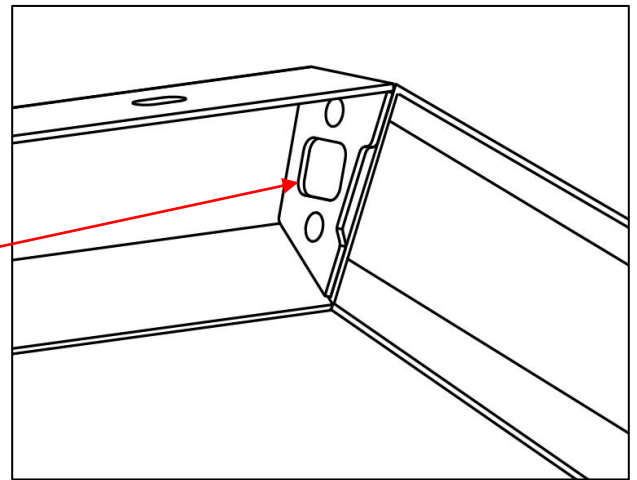
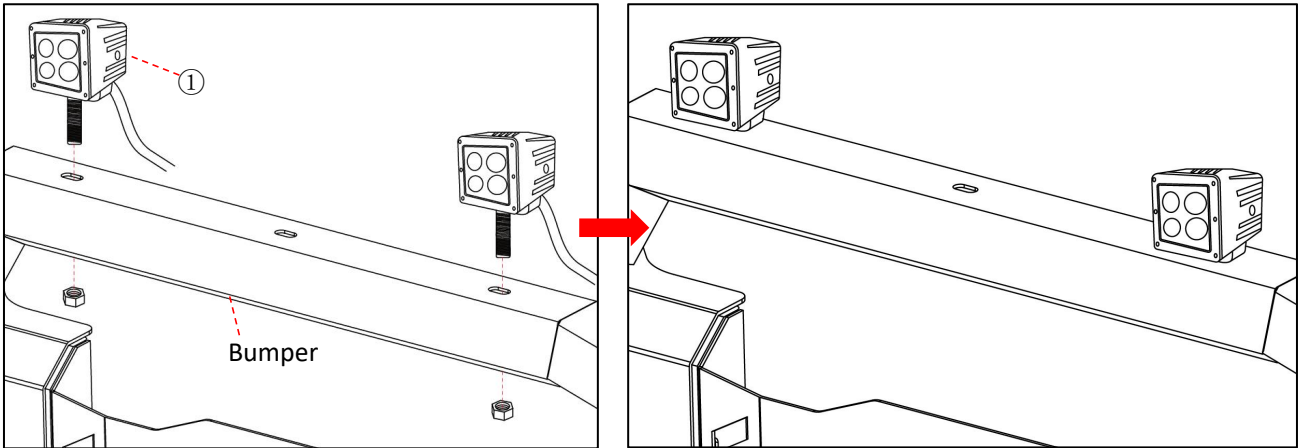
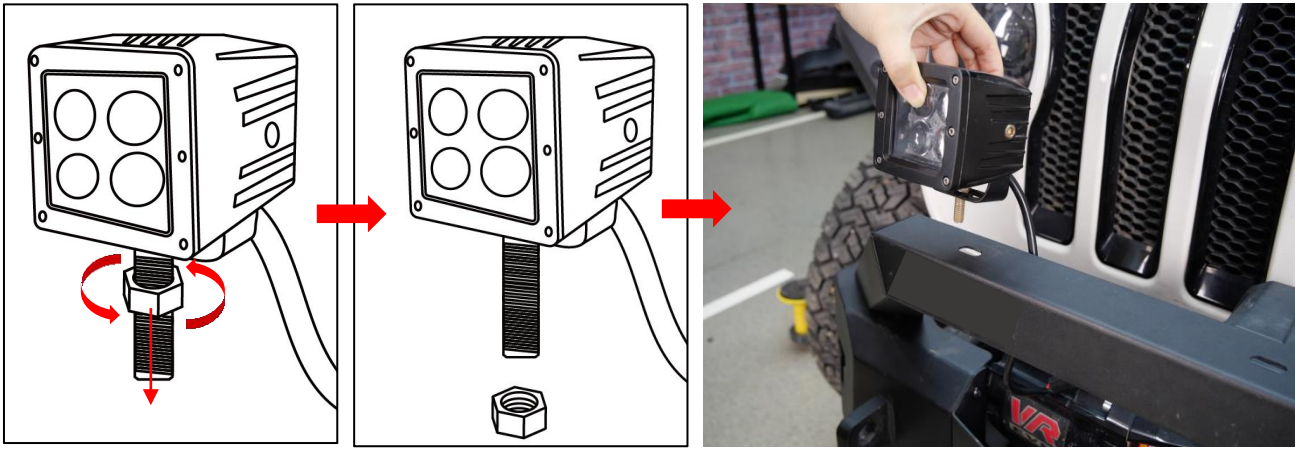


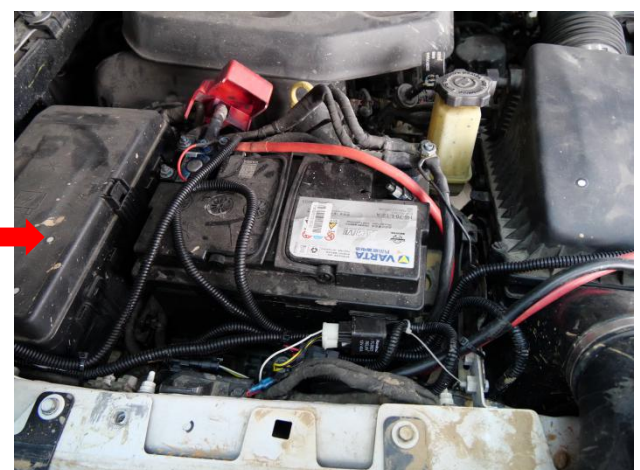
Top Bumper installed successfully



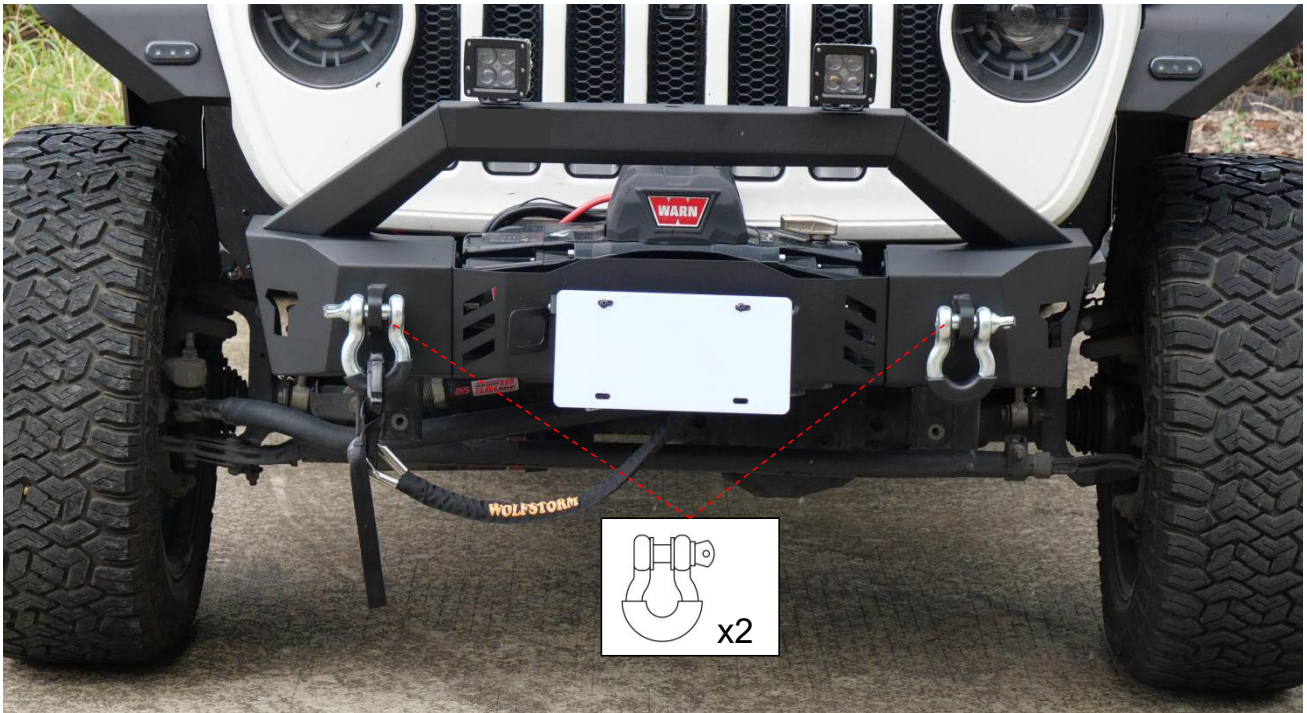
Step 9: Install the 4 Inch Ledlight.







Step 10: Install the Shackles.



Product Care and Maintenance:

Your REAR BUMPER have been designed and manufactured to provide years of use. However, like any product, general maintenance is required to keep them looking new.

Part one:

This Limited Warranty is the only warranty made in connection with your purchase. HAWKLEY neither assumes nor authorizes any vendor,retailer or other person or entity to assume for it any other obligation or liability in connection with this product or Limited Warranty. This Limited Warranty does not apply and is not cumulative to any accessory or part distributed by HAWKLEY for which the Manufacturer provides a separate written warranty.

What is Covered:

Subject to the terms, exclusions and limitations herein and with respect only to HAWKLEY branded accessories first sold in the United States, HAWKLEY warrants to the initial retail purchaser only that your HAWKLEY accessory shall be free of defects in material and workmanship:

for a period of two years from date of retail purchase. This Limited Warranty is not assignable and shall terminate upon sale of the vehicle upon which the HAWKLEY accessory is installed or other transfer third persons.

All other warranties are hereby disclaimed, except to the extent prohibited by applicable law in which case any implied warranty of merchant ability or fitness for a particular purpose on this product is limited to 2 years from date of initial retail sale.

HAWKLEY reserves the rights to:

- (1.) require invoice or other proof your accessory is within the terms of this product and Limited Warranty as a condition of warranty service and,
- (2.) make future revisions to this product and Limited Warranty without prior notice or obligation to upgrade your product.

What is Not Covered:

Your HAWKLEY Limited Warranty does not cover products or parts HAWKLEY determines to have been damaged by or subjected to:

- (1.) installation damage, alteration, modification, combination with other parts, failure to maintain or improper repair or service,
- (2.) normal wear & tear, cosmetic damage or damage from moisture or water immersion.
- (3.) Acts of God, accidents, misuse, negligence, inadequate mounting or impact with vehicle(s), obstacles or other aspects of the environments,
- (4.) theft, vandalism or other intentional damage.

Remedy Limited to Repair/Replacement:

The exclusive remedy provided here under shall, upon HAWKLEY inspection and at HAWKLEY'S option, be either repair or replacement of product or parts (new or refurbished) covered under this Limited Warranty.

Customers requesting warranty consideration should first contact HAWKLEY to obtain a RMA number 1 (626) 361-0126.

All labor, removal, shipping and installation costs are customer's responsibility.

Other Limitations - Exclusion of Damages - Your Rights

Under State Law:

In consideration of the purchase price paid, neither NIXON OFFROAD nor any independent HAWKLEY distributor/licensee are responsible for any time loss, rental costs, or for any incidental, consequential, punitive or other damages you may have or incur in connection with any part or product purchased. Your exclusive remedy here under for covered parts is repair/replacement as described above.

This Limited Warranty gives you specific rights. You may also have other rights that vary from state to state. For example, some states do not allow limitation of how long an implied warranty lasts and/or do not allow the exclusion Or limitation of incidental or consequential damages, so the limitations and exclusions herein may not apply to you.

HAWKLEY. All Rights Reserved.



HAWKLEY

OPTIMIZE YOUR OUTDOOR LIVING