

FRONT BUMPER

————— User Manual —————

2007-2018 Jeep Wrangler JK



Model:	NJK01B108
Material:	Q235A
Product Dimensions:	63.7 x 10 x 7.6 inch
Package Dimensions:	34.6 x 19 x 11 inch
Product Weight:	55.1 lbs

※ Thank you for purchasing the FRONT BUMPER. Please read this manual carefully and keep it properly if you need to refer to it afterward. If you need any support or assistance, please contact us with your product model number and order number, and our support team will help you solve problems.

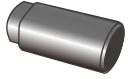

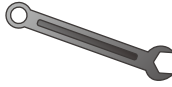


⚠ WARNING

※ This product is designed primarily to enhance the appearance of the vehicle. Do not rely in any way on the components of this product to protect against injury or death in the event of an accident. To reduce the risk of serious injury or property damage, please read all safety messages and understand all instructions and procedure notices before attempting to install or use this product.

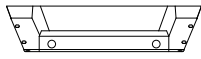
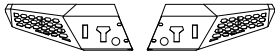
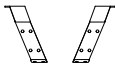
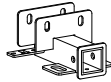

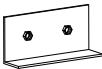


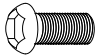

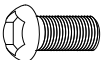
⚠ CAUTION

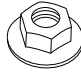

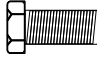
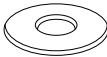

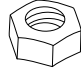
※ Properly torque and recheck fasteners and security of step tread after 250 miles and inspect frequently. Do not use if damaged.

REQUIRED TOOLS

Socket 	Ratchet 	Wrench 	Allen Wrench 	Safety Glasses 
---------------------------------------------------------------------------------------------	----------------------------------------------------------------------------------------------	---------------------------------------------------------------------------------------------	----------------------------------------------------------------------------------------------------	-------------------------------------------------------------------------------------------------------

Parts Information

/	Mid Bumper	/		1	Black
/	Side Wings L & R	/		1	Black
/	Connectors L & R	/		1	Black
/	Trailer Hitch Receiver	/		1	Black
/	Connector Clip	/		1	Black
/	Nut Plates	/		2	Black
/	Shackles	/		2	Black
/	Trailer Wiring Harness	/		1	Black
B07	Half Head Allen Bolts	M6x20		3	Dacro Black
N09	Hex Flange Nuts	M6		3	Dacro Black
B15	Half Head Allen Bolts	M8x20		21	Dacro Black

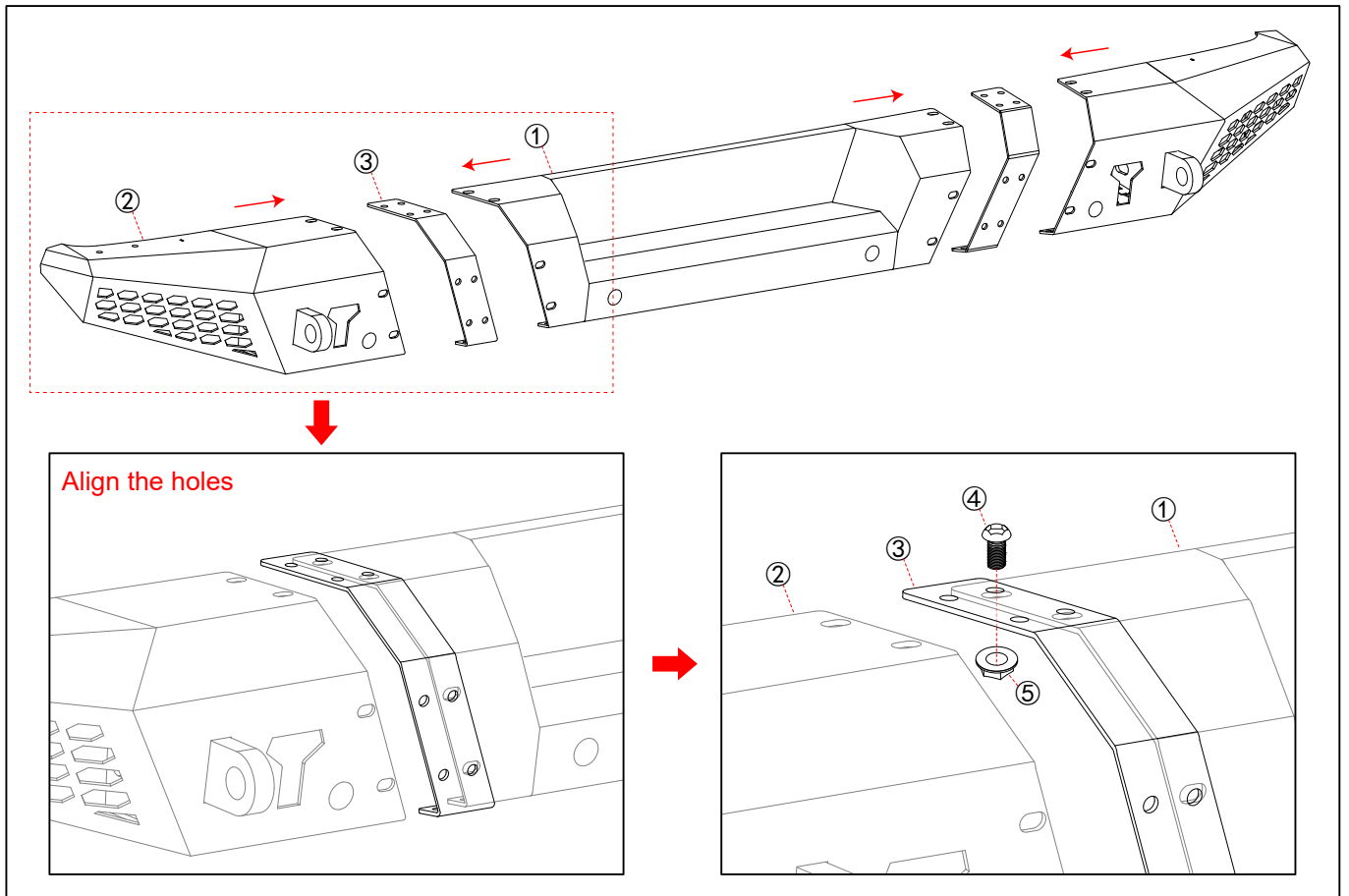
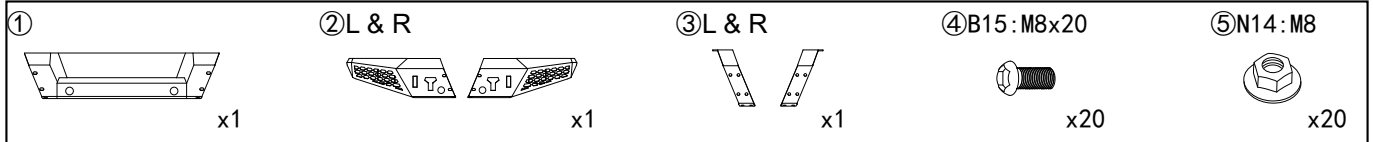
NO.	Parts Name	Size	Line Graph	Qty	Color
N14	Hex Flange Nuts	M8		21	Dacro Black
B41	Hex Bolts	M12x110 (30)		3	Blue Zinc Plating
B45	Hex Bolts	M12x35		5	Blue Zinc Plating
W28	Flat Washers	Φ12		9	Blue Zinc Plating
W29	Spring Washers	Φ12		7	Blue Zinc Plating
N24	Hex Nuts	M12		3	Blue Zinc Plating

※ **Note:** spare parts such as B07、N09、B15、N14、B41、B45、W28、W29 and N24 are provided with 1PCS each (included in the number of parts details).

Installation Instructions

Step 1: Open the carton and take out the parts. Check whether the number of components is complete.

Step 2: Splice the Rear Bumper.



The Rear Bumper is assembled.

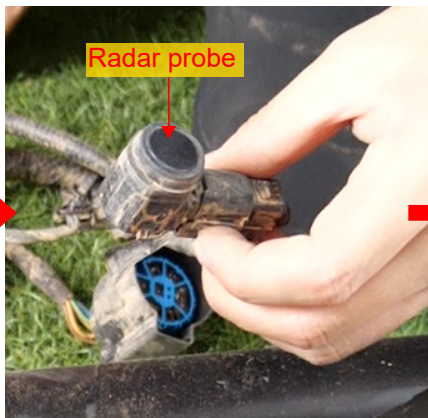
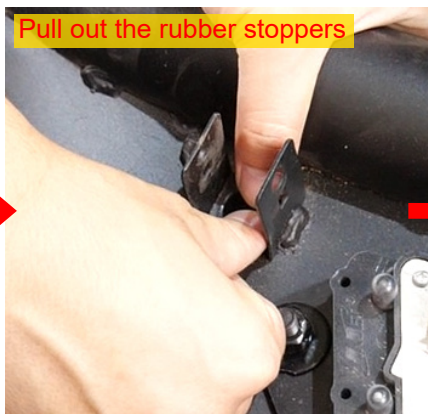
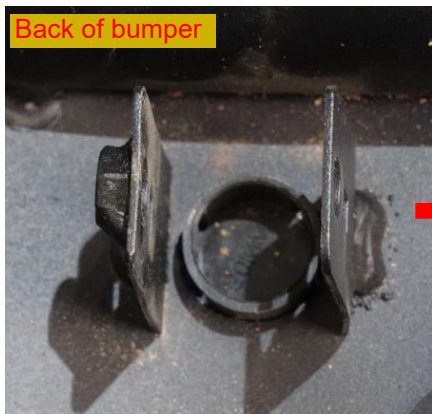


Step 3: Clean the rear of the car to ensure it is free of dust, dirt, and debris.

Step 4: Take out the vehicle's original bolts before installation.

Step 5: Install the Radar Probe.

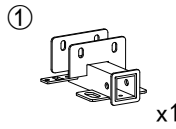

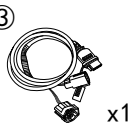
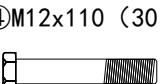
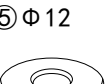
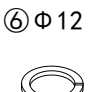

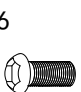

Note: If the car does not have a radar probe, this step can be ignored.

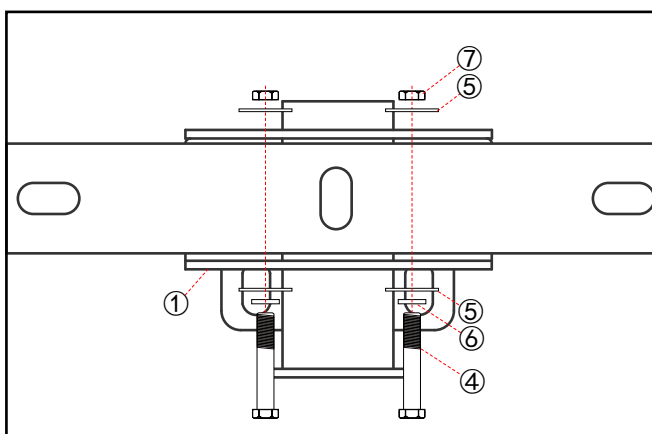
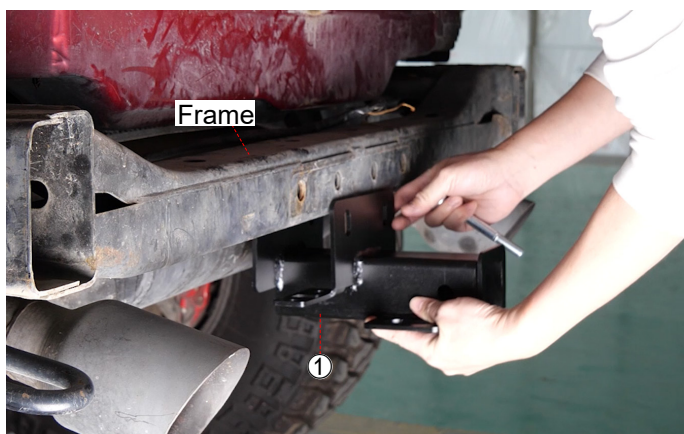
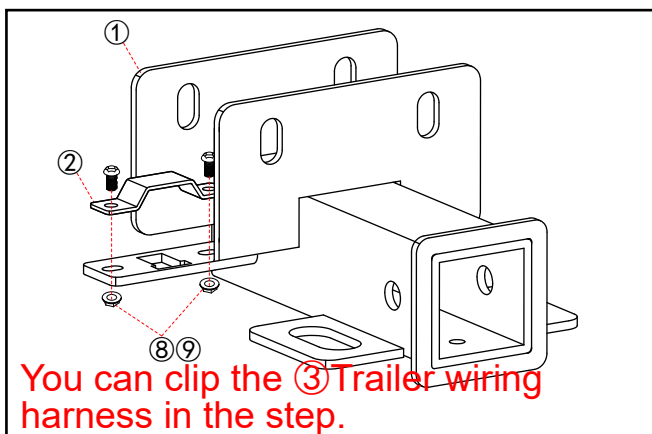


You need to buy the M6 bolts(4pcs) and nuts(4pcs) to mout it.

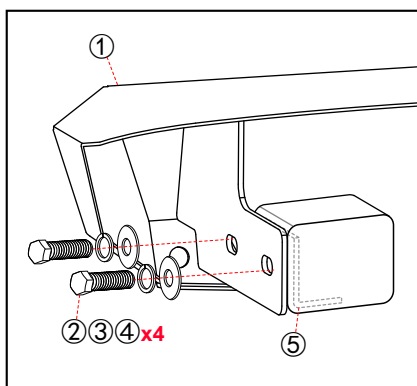
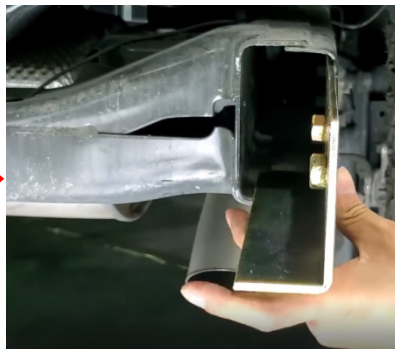
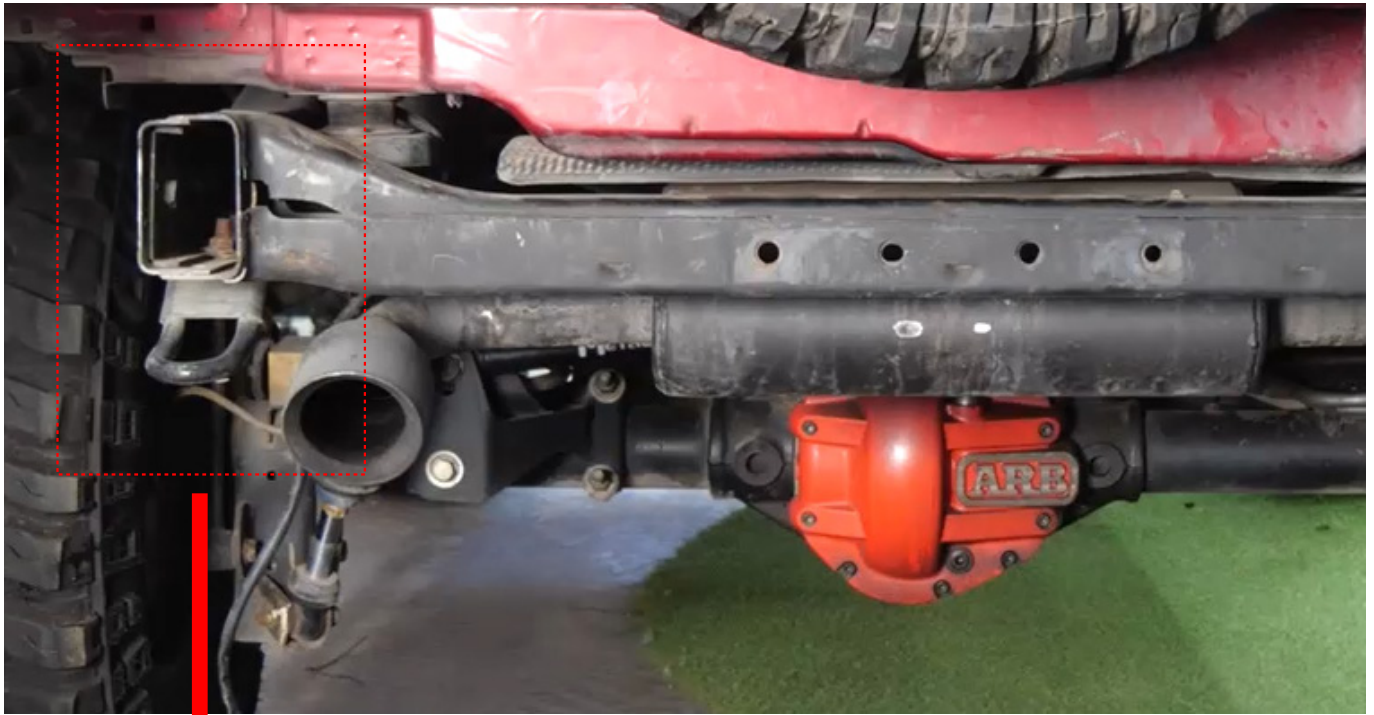
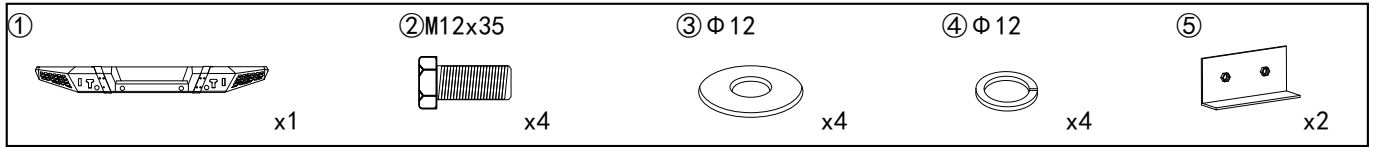


Step 6: Install the Tow Trailer Hitch Receiver.

①  x1	②  x1	③  x1	④ M12x110 (30)  x2	⑤ $\Phi 12$  x4
⑥ $\Phi 12$  x2	⑦ M12  x2	⑧ M6  x2	⑨ M6  x2	



Step 6: Install the Rear Bumper.



The Front Bumper is installed.

