

REAR BUMPER

————— User Manual —————

2007-2018 Wrangler JK 4 Door & 2Door



Model:	NJK01B107
Material:	Q235A
Product Dimensions:	61.5 x 13 x 811.5 inch
Package Dimensions:	64.6 x 16.1 x 11.4 inch
Product Weight:	30.4lbs

※ Thank you for purchasing the REAR BUMPER. Please read this manual carefully and keep it properly if you need to refer to it afterward. If you need any support or assistance, please contact us with your product model number and order number, and our support team will help you solve problems.

⚠ WARNING





※ This product is designed primarily to enhance the appearance of the vehicle. Do not rely in any way on the components of this product to protect against injury or death in the event of an accident. To reduce the risk of serious injury or property damage, please read all safety messages and understand all instructions and procedure notices before attempting to install or use this product.

⚠ CAUTION


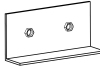
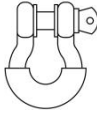
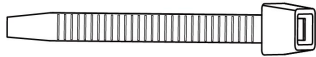




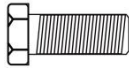
※ Properly torque and recheck fasteners and security of step tread after 250 miles and inspect frequently. Do not use if damaged.

※ Rear Bumper is heavy, and we strongly suggest the assistance of an able-bodied assistant during the lifting and installation of your Rear Bumper.

REQUIRED TOOLS

Socket 	Ratchet 	Wrench 	Safety Glasses 
--	---	--	--

Parts Information

Parts NO.	Parts Name	Size	Line Graph	Qty	Color
/	Bumper	/		1	Black
/	Nut Plates	M12		2	Black
/	Shackles	/		2	PVC+Blue Zinc Plating
/	Ribbon	5x250mm		10	Black
W28	Flat Washer	Φ12x30x3mm		14	Blue Zinc Plating
W29	Spring Washer	Φ12		10	Blue Zinc Plating
N24	Hex Nuts	M12		6	Blue Zinc Plating
B41	Hex Bolts	M12x110 (30)		6	Blue Zinc Plating
B45	Hex Bolts	M12x35		6	Blue Zinc Plating

***Note: spare parts such as W28、W29、N24、B41、B45 are provided with 2PCS each (included in the number of parts details).**

Installation Instructions

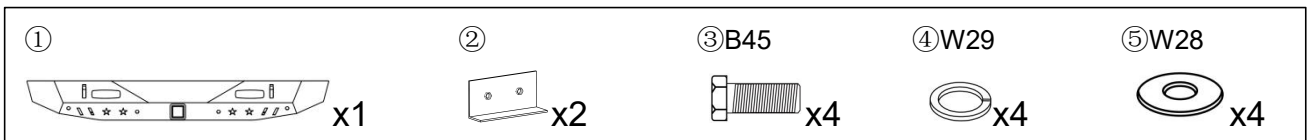
Step 1: Open the carton and take out the parts. Check whether the number of components is complete.

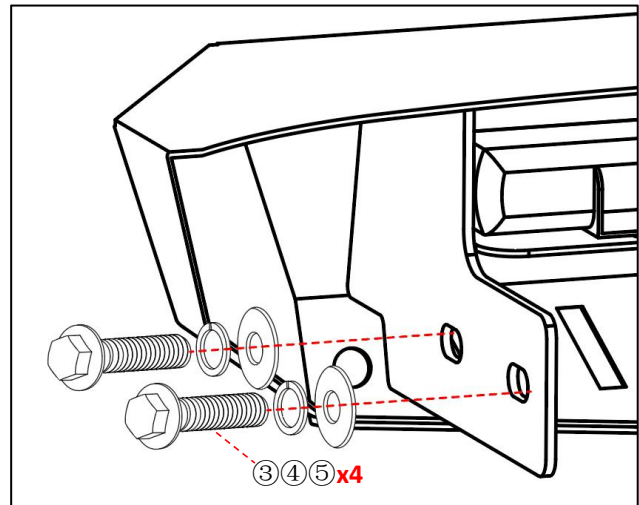
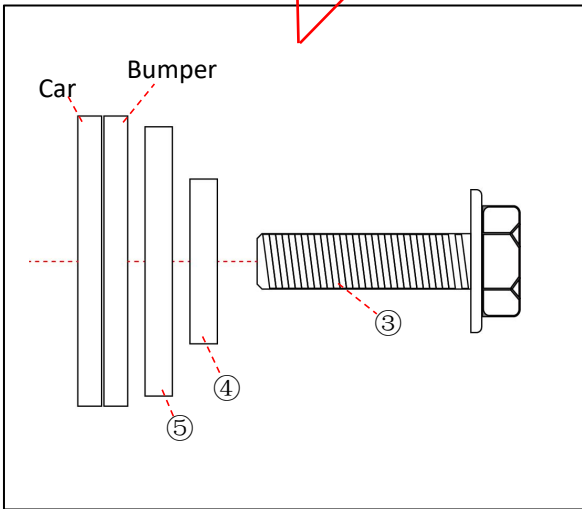
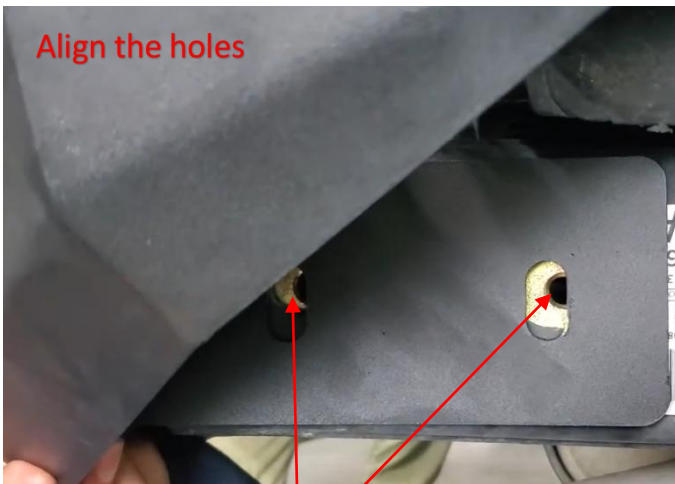
Step 2: Clean the rear of the car to ensure it is free of dust, dirt, and debris.

Step 3: Take out the vehicle's original bolts before installation.



Step 4: Install the Rear Bumper.

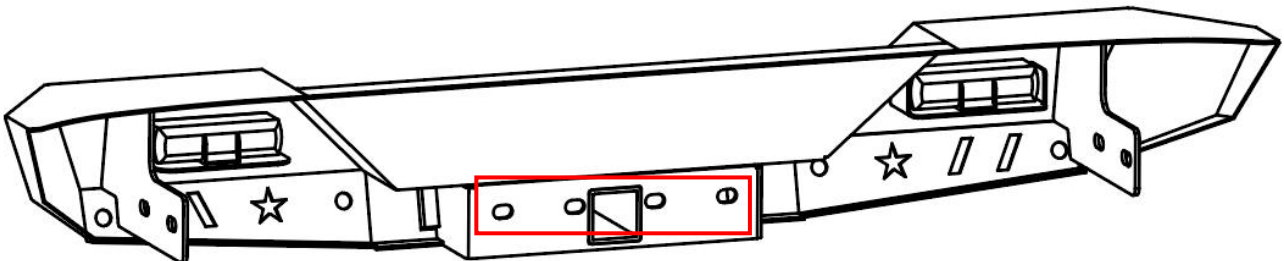
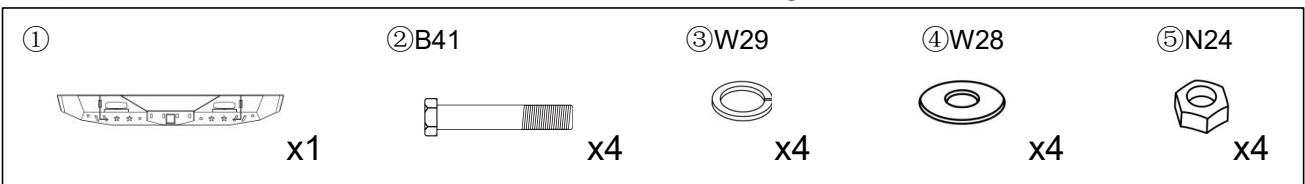


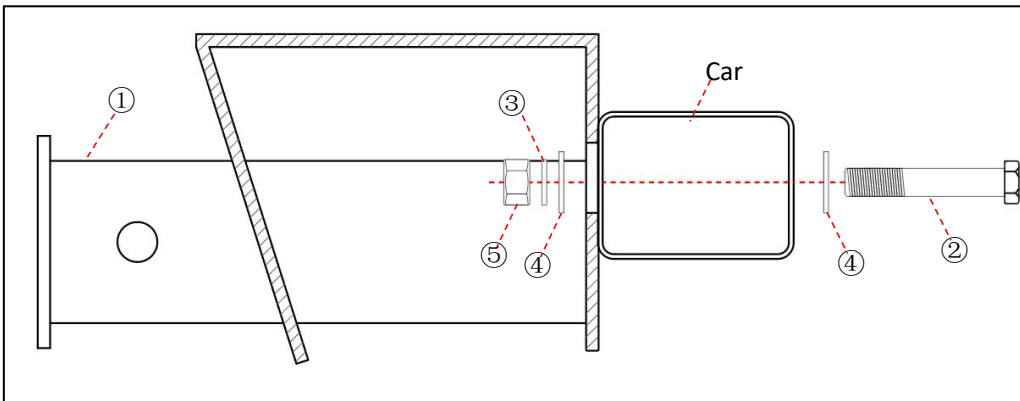
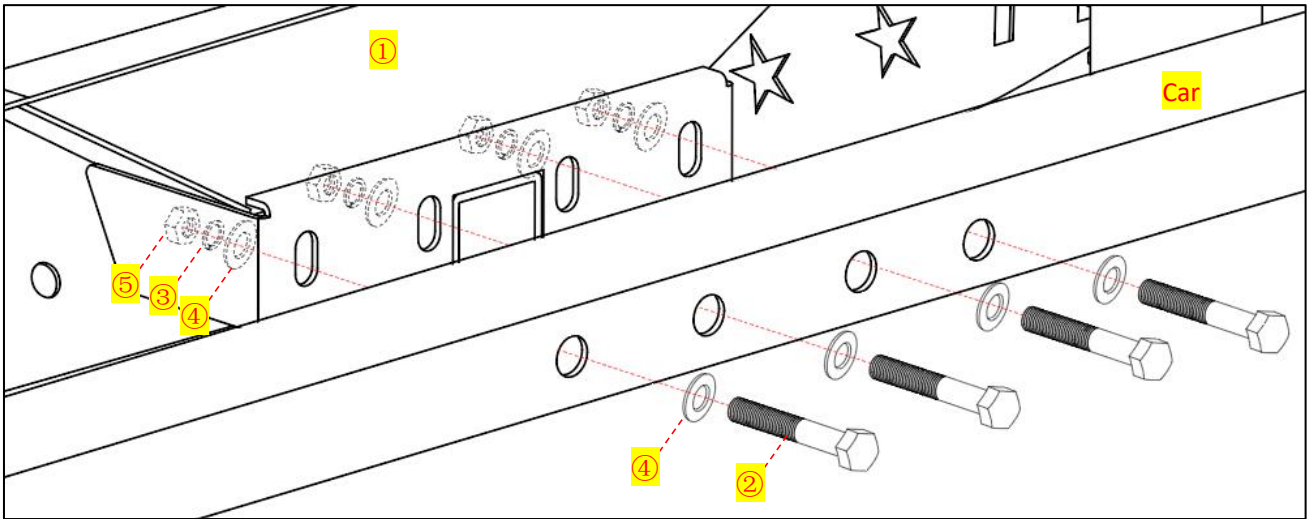


NOTICE: Do not tighten the bolts in this step.

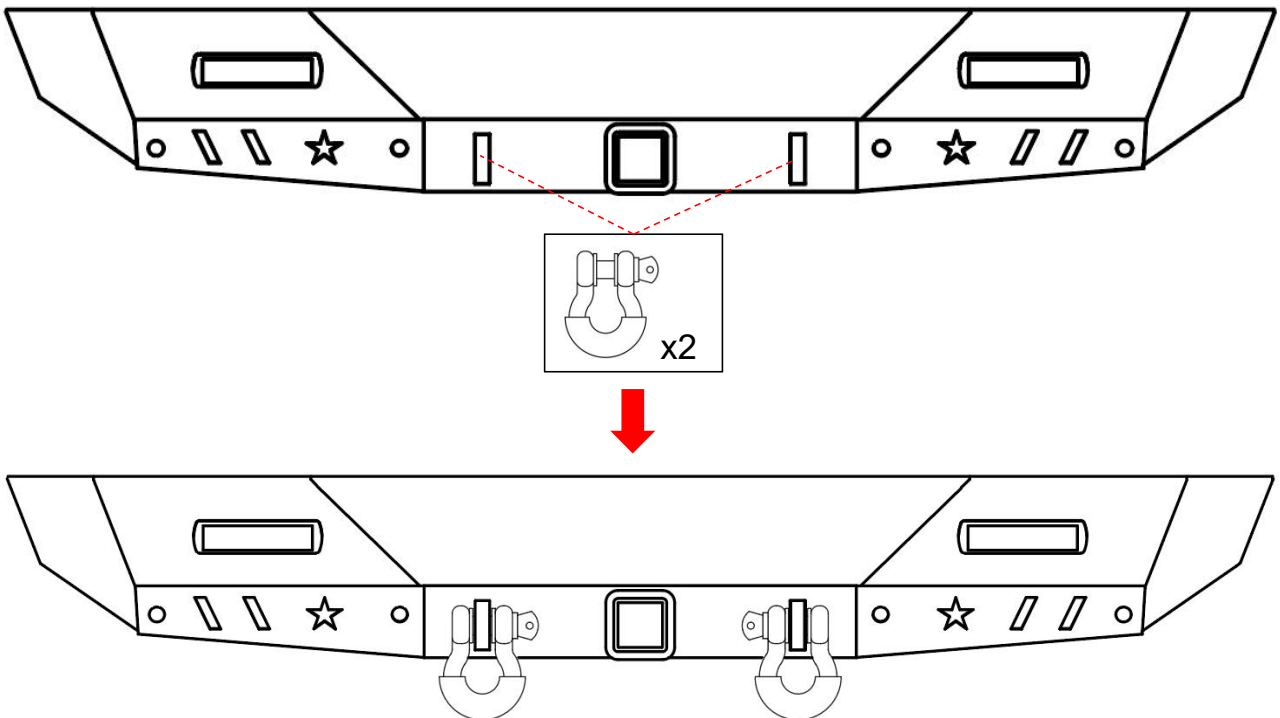
Step 5: Adjust the balance of the Rear Bumper and the car side and tighten the bolts.

Step 6: Install the Tow Trailer Hitch Receiver and tighten the bolts.



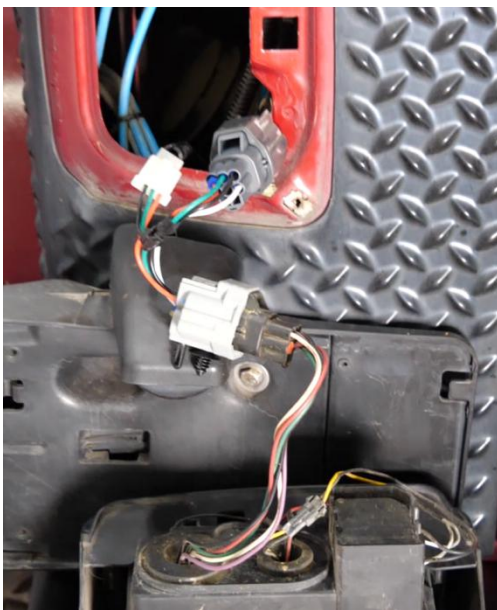
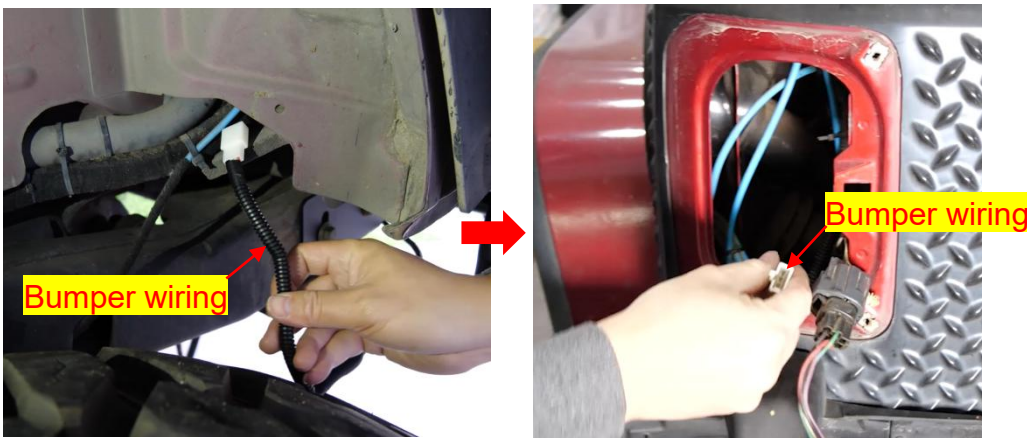


Step 7: Install the Shackles.



Step 8: Connect the bumper brake light wiring.

Remove the screws and take care.



Step 9: Bundling wires.

Step 10: Installation of the Rear Bumper is complete. Please do periodic inspections of the Rear Bumper to make sure that all hardware is secure and tight.