

FRONT BUMPER

————— User Manual —————

2007-2018 Jeep Wrangler JK



Model:	NJK01A103
Material:	Q235A
Product Dimensions:	65.9 x 13.9 x 8.9 inch
Package Dimensions:	69.3 x 16.9 x 11 inch
Product Weight:	60.63 lbs

※ Thank you for purchasing the REAR BUMPER. Please read this manual carefully and keep it properly if you need to refer to it afterward. If you need any support or assistance, please contact us with your product model number and order number, and our support team will help you solve problems.

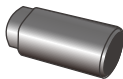


⚠ WARNING

※ This product is designed primarily to enhance the appearance of the vehicle. Do not rely in any way on the components of this product to protect against injury or death in the event of an accident. To reduce the risk of serious injury or property damage, please read all safety messages and understand all instructions and procedure notices before attempting to install or use this product.

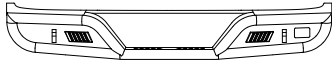
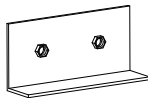
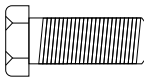
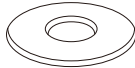


⚠ CAUTION

※ Properly torque and recheck fasteners and security of step tread after 250 miles and inspect frequently. Do not use if damaged.

REQUIRED TOOLS

Socket 	Ratchet 	Safety Glasses 
--	---	--

Parts Information

NO.	Parts Name	Size	Line Graph	Qty	Color
/	Bumper	/		1	Black
/	Nut Plates	/		2	Black
B37	Hex Bolts	M12x35		6	Dacro Black
W27	Flat Washer	Φ12x30x3		6	Dacro Black
W25	Spring Washer	Φ12		6	Dacro Black
/	Ribbon	5x250mm		10	Dacro Black

※ **Note: spare parts such as B37、 W27 and W25 are provided with 2PCS each (included in the number of parts details).**

Installation Instructions

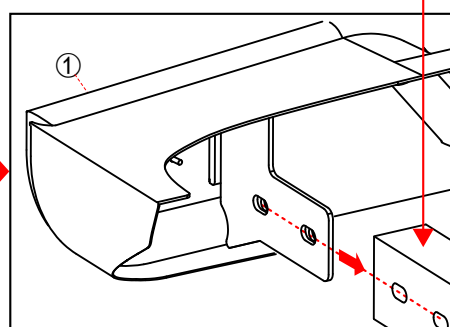
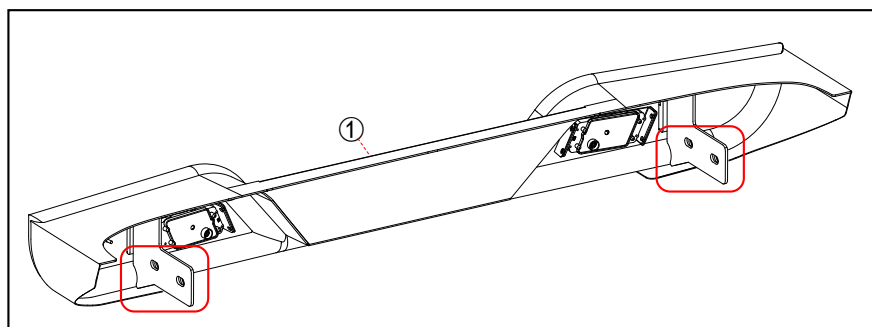
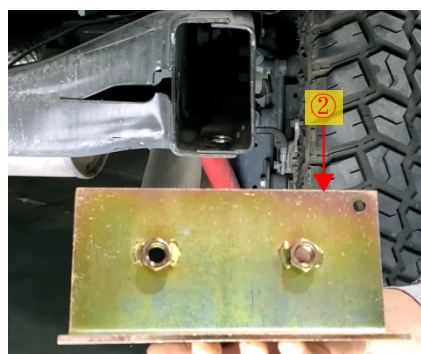
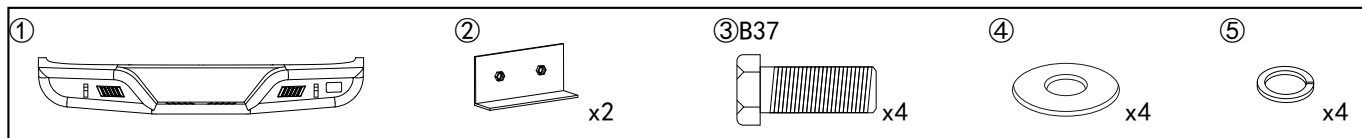
Step 1: Open the carton and take out the parts. Check whether the number of components is complete.

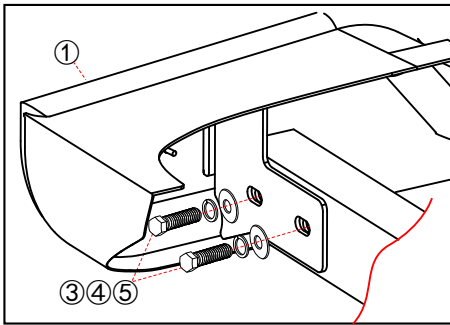
Step 2: Clean the rear of the car to ensure it is free of dust, dirt, and debris.

Step 3: Take out the vehicle's original bolts before installation.



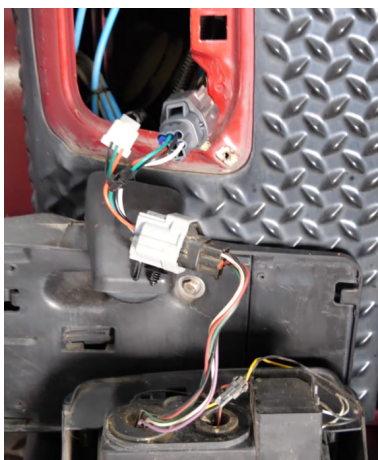
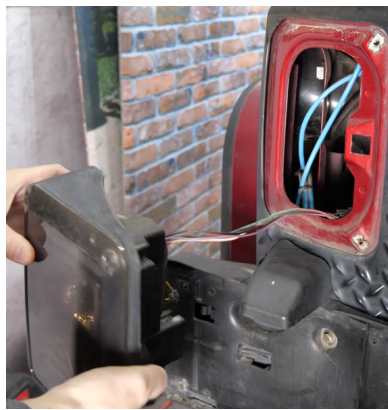
Step 4: Install the Rear Bumper.





Step 5: Adjust the balance of the Rear Bumper and the car side and tighten the bolts.

Step 6: Connect the bumper brake light wiring.



Step 7: Bundling wires.

Step 8: Installation of the Rear Bumper is complete. Please do periodic inspections of the Rear Bumper to make sure that all hardware is secure and tight.