

# CHASE RACK

— User Manual —

Pickup Truck Universal Fit

NI101



NI102 / NI103



Model:	NI101 / NI102 / NI103
Material:	Q235A
Product Dimensions:	/ x 19.3 x 21 inch
Package Dimensions:	46.26 x 15 x 9.4 inch
Product Weight:	/ lbs

---

※ Thank you for purchasing the Chase Rack. Please read this manual carefully and keep it properly if you need to refer to it afterward. If you need any support or assistance, please contact us with your product model number and order number, and our support team will help you solve problems.



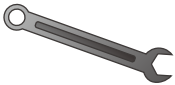


**⚠ WARNING**

※ This product is designed primarily to enhance the appearance of the vehicle. Do not rely in any way on the components of this product to protect against injury or death in the event of an accident. To reduce the risk of serious injury or property damage, please read all safety messages and understand all instructions and procedure notices before attempting to install or use this product.

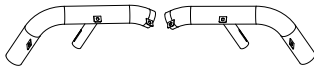

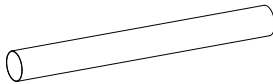
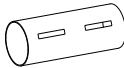
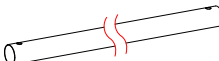
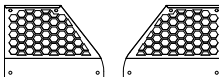

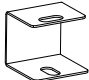


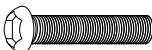
**⚠ CAUTION**

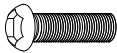
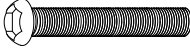



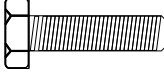


※ Properly torque and recheck fasteners and security of step tread after 250 miles and inspect frequently. Do not use if damaged.

# REQUIRED TOOLS

<b>Cordless Screwdriver</b> 	<b>Rivet Nuts Tool</b> 	<b>Wrench</b> 	<b>Allen Wrench</b> 	<b>Safety Glasses</b> 
--	---	--	---	--

## Parts Information

NO.	Parts Name	Size	Line Graph	Qty	Color
/	Main Tube 1 L/R	/		2	Black
/	Main Tube 2 L/R	/		2	Black
/	Tube 1	Φ76		2	Black
/	Connector Tube	Φ80		4	Black
/	Tube 2	Φ38		1	Black
/	Trim Panel L/R	/		2	Black
/	Bottom Plate	/		2	Black
/	Bottom Plate Cover	/		4	Black
/	Clip Plate	/		2	Black
R02	Rivet Nuts	M8		2	Black
B24	Head Allen Bolt	M8x40		6	Dacro Black

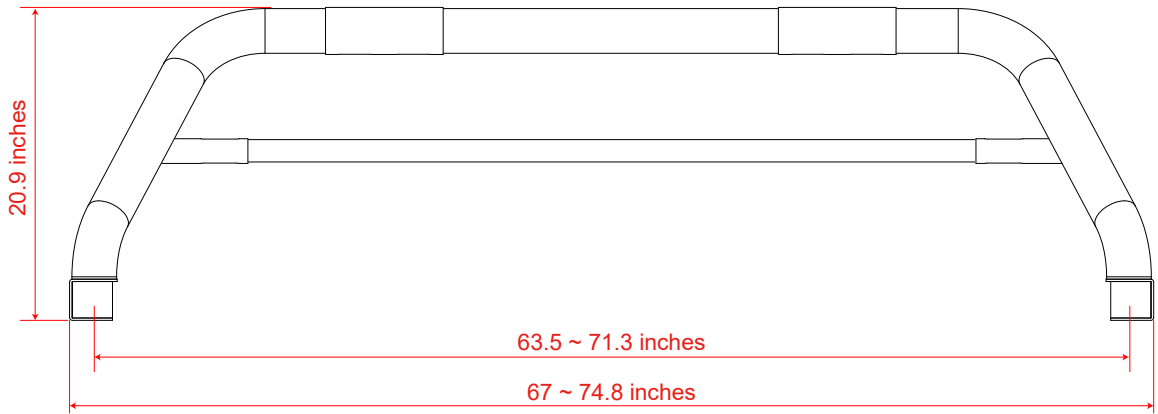
NO.	Parts Name	Size	Line Graph	Qty	Color
B19	Head Allen Bolt	M8x25		20	Dacro Black
B28	Head Allen Bolt	M8x60		4	Dacro Black
W34	Flat Washer	Φ8x16x2		36	Dacro Black
W16	Spring Washer	Φ8		26	Dacro Black
N22	Hex Nut	M8		14	Dacro Black
B37	Hex Bolts	M12x35		14	Dacro Black
W27	Flat Washer	Φ12x30x3		6	Dacro Black
W25	Spring Washer	Φ12		6	Dacro Black

※ **Note: spare parts such as B24、 B19、 B28、 W34、 W16、 N22、 B37、 W27、 W25 are provided with 2PCS each (included in the number of parts details).**

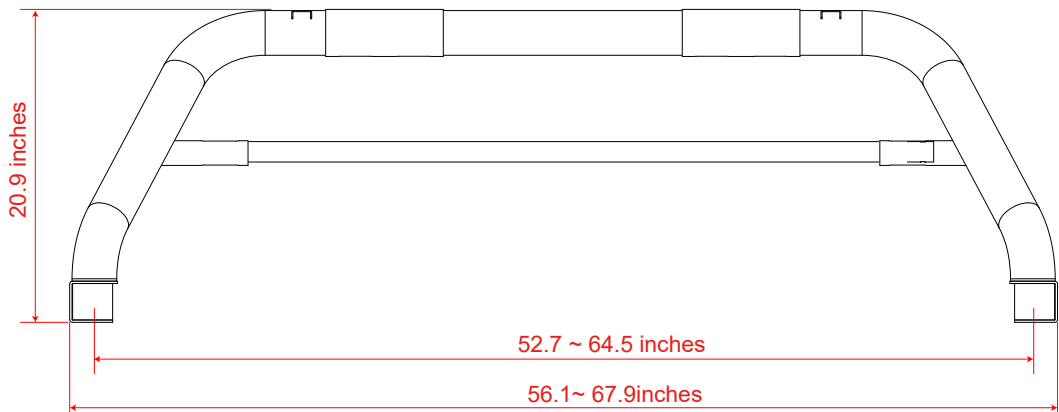
# Installation Instructions

※ **Note:** Before installing the chase rack, please make sure the size of the chase rack is suitable for your car.

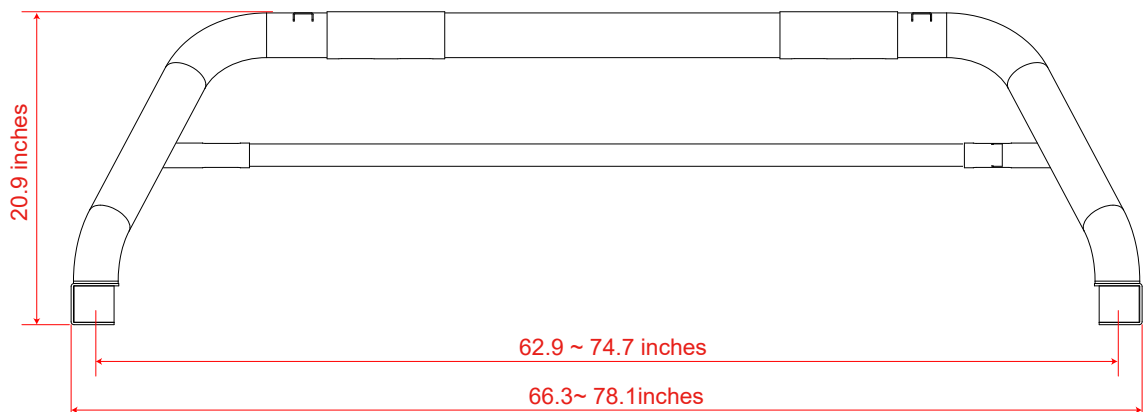
NI101



NI102



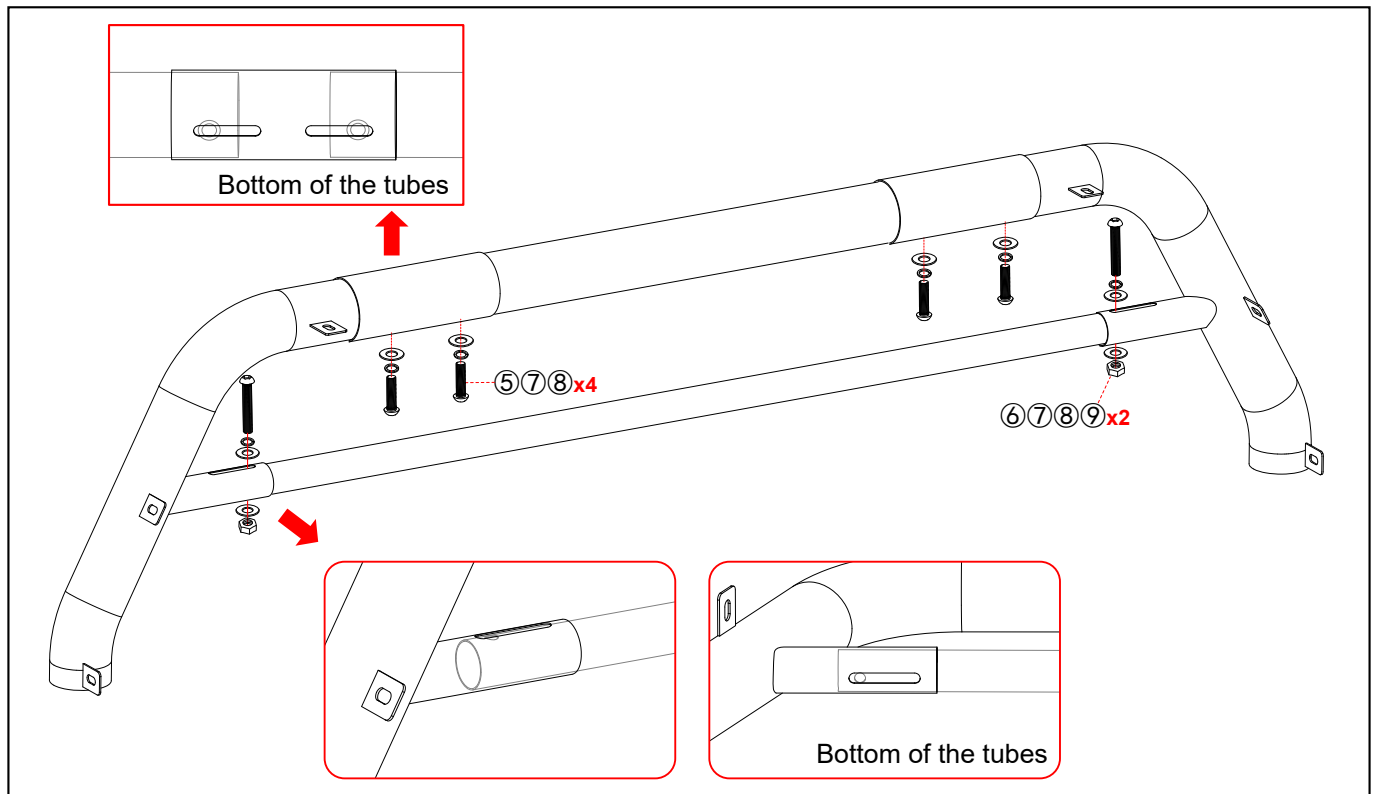
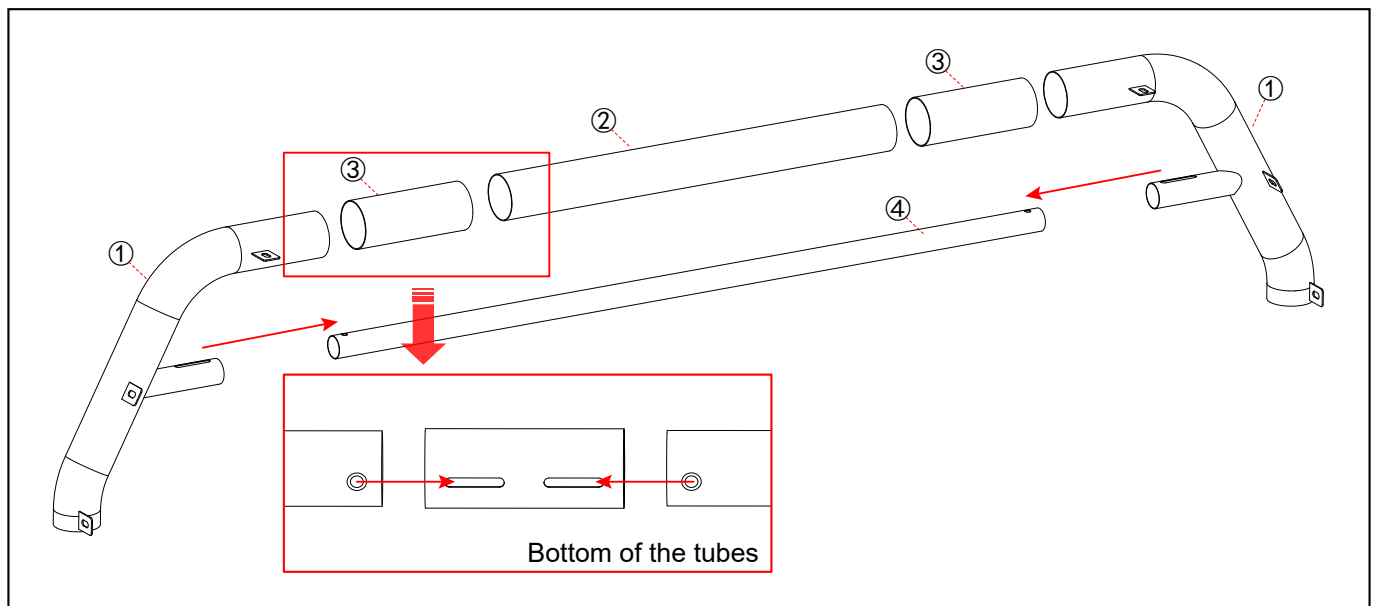
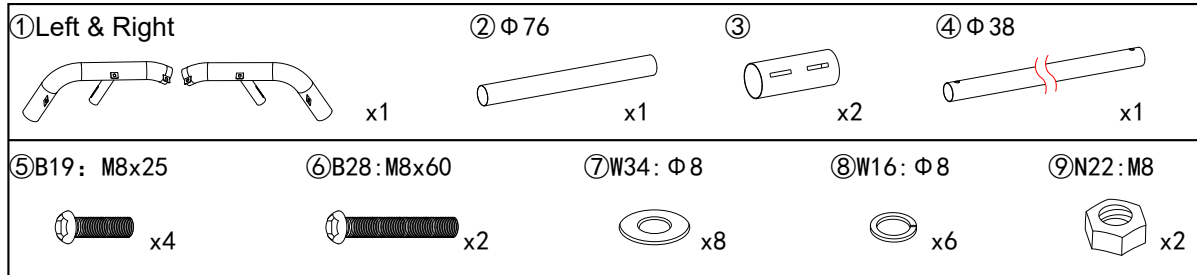
NI103



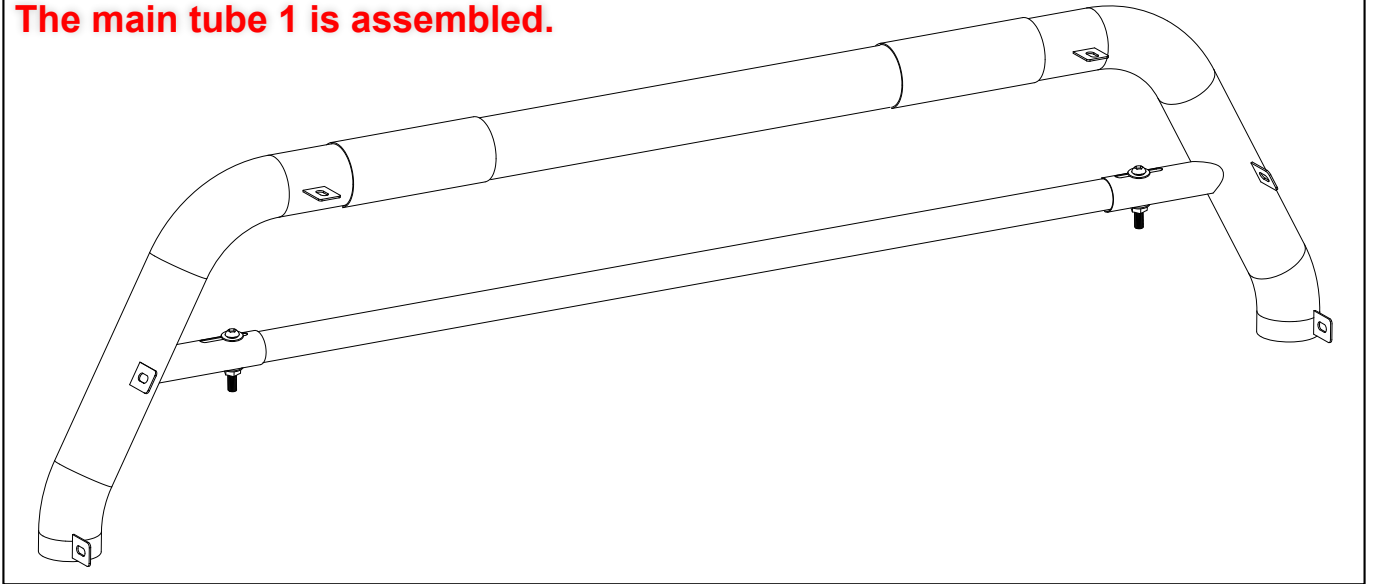
※ **Note:** This installation manual takes one of the models as an example.

Step 1: Open the carton and take out the parts. Check whether the number of components is complete.

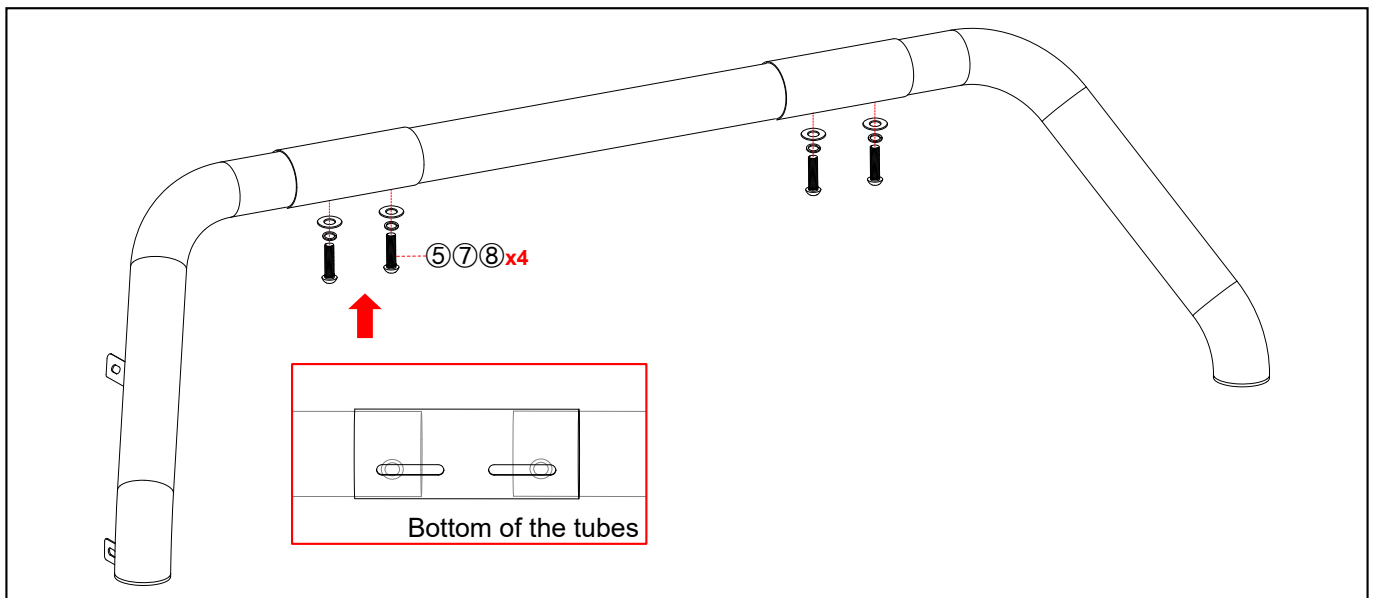
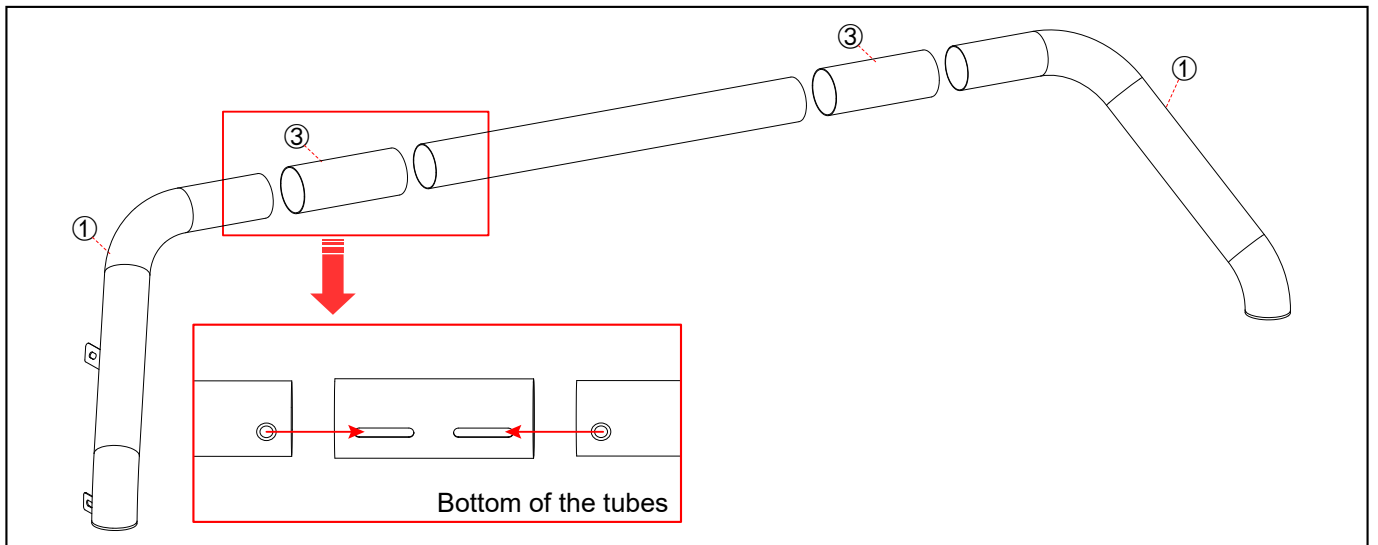
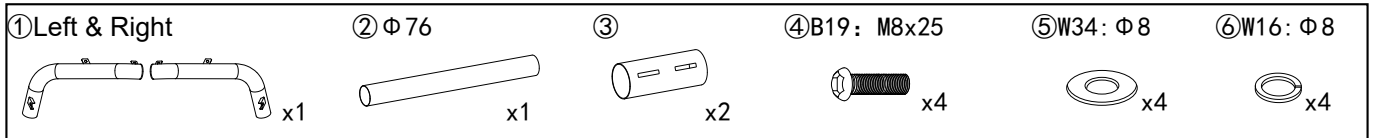
Step 2: Splice the main tube 1.



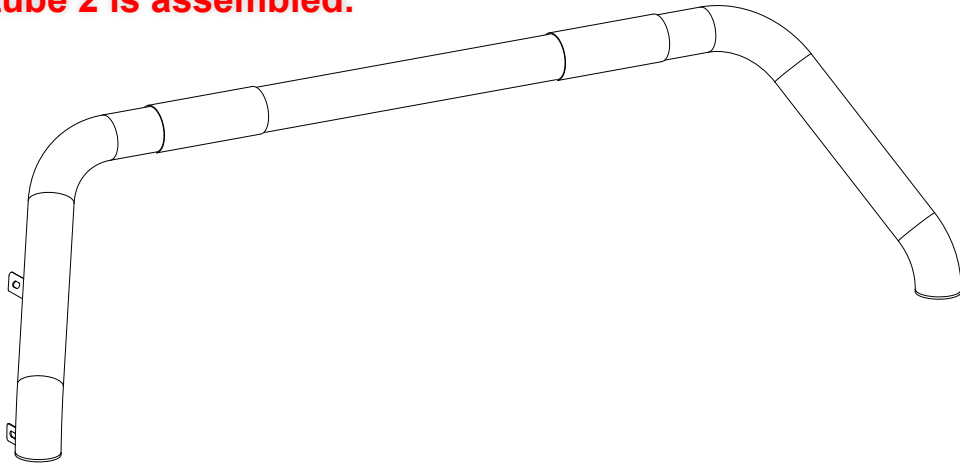
**The main tube 1 is assembled.**



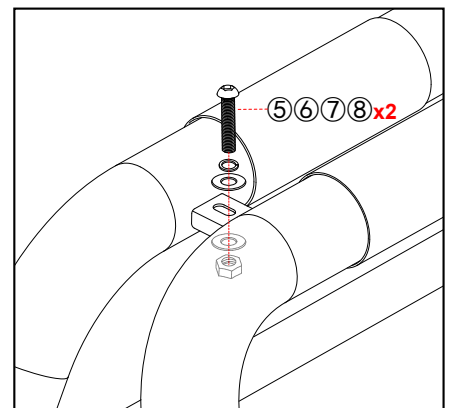
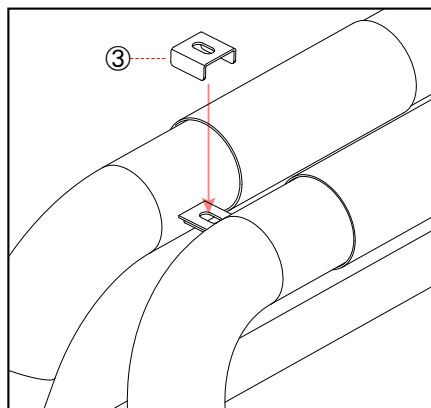
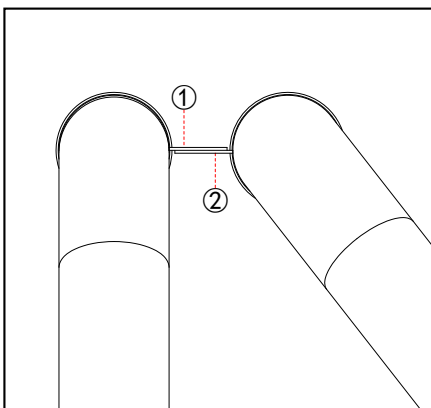
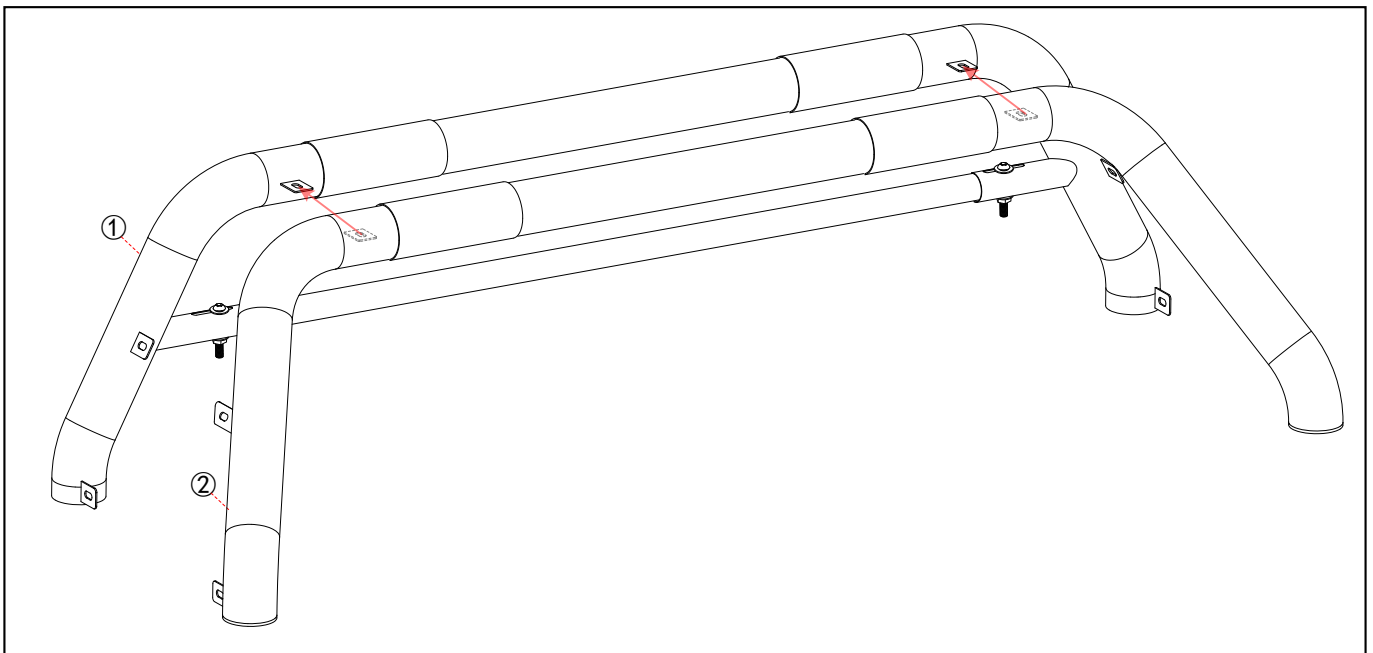
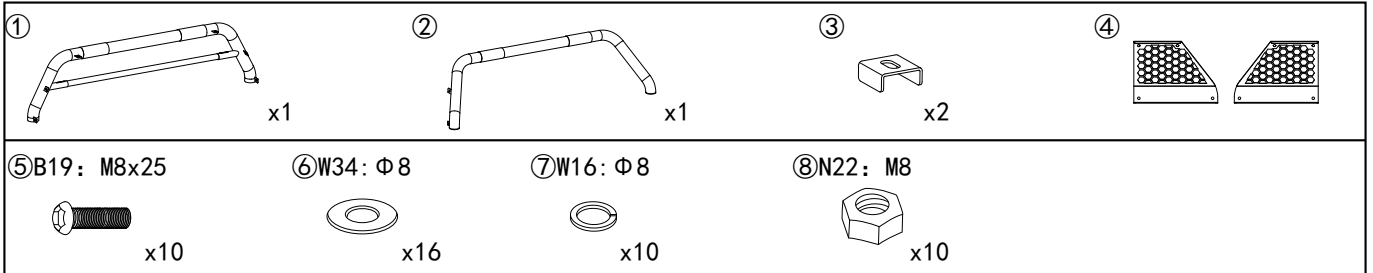
**Step 3: Splice the main tube 2.**



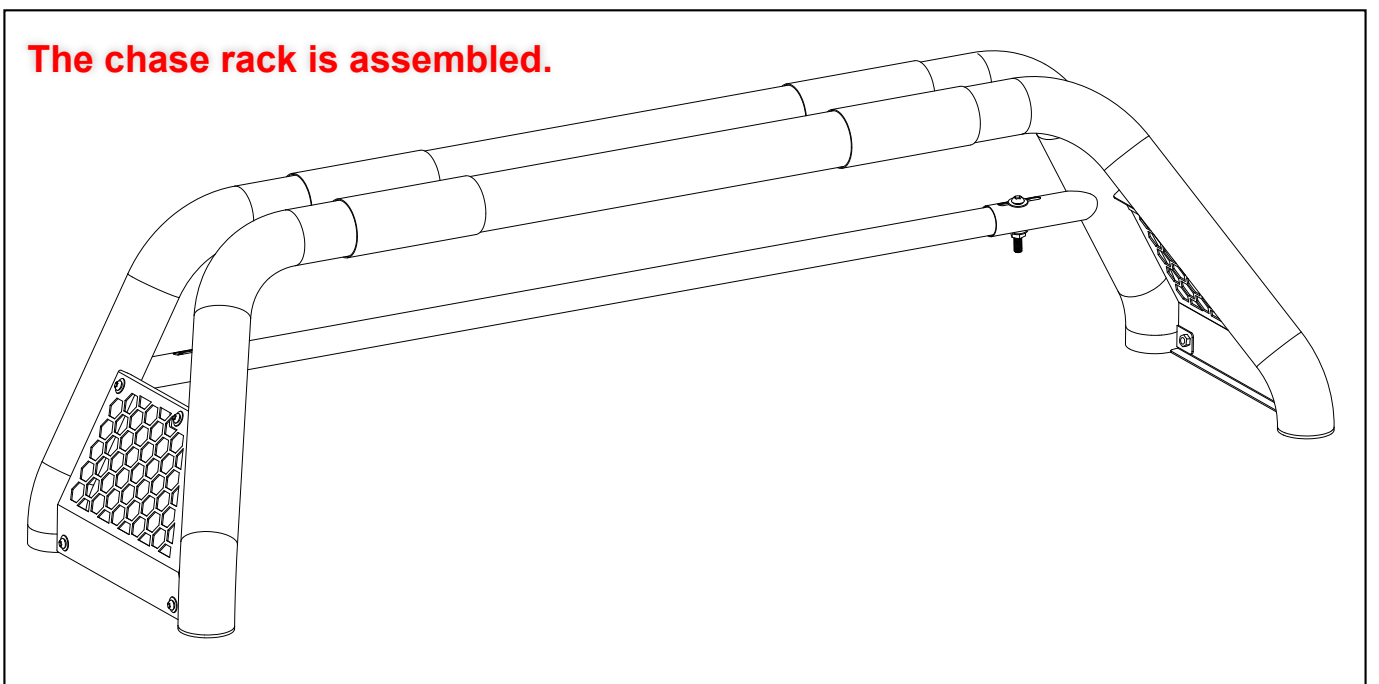
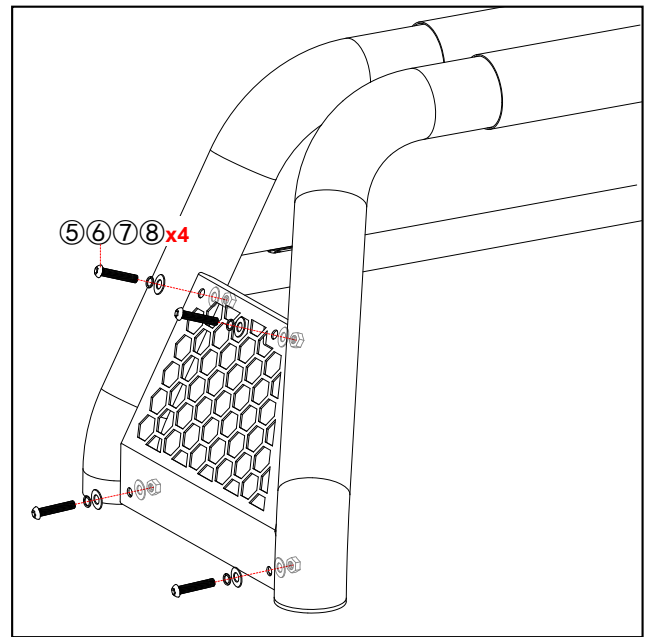
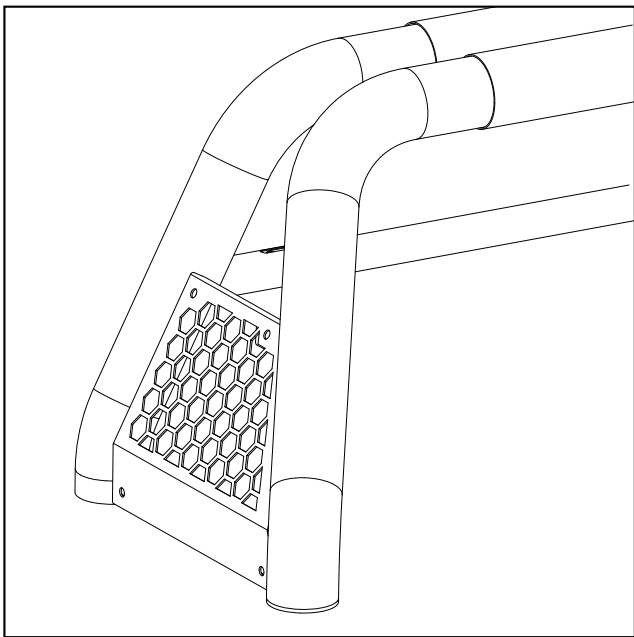
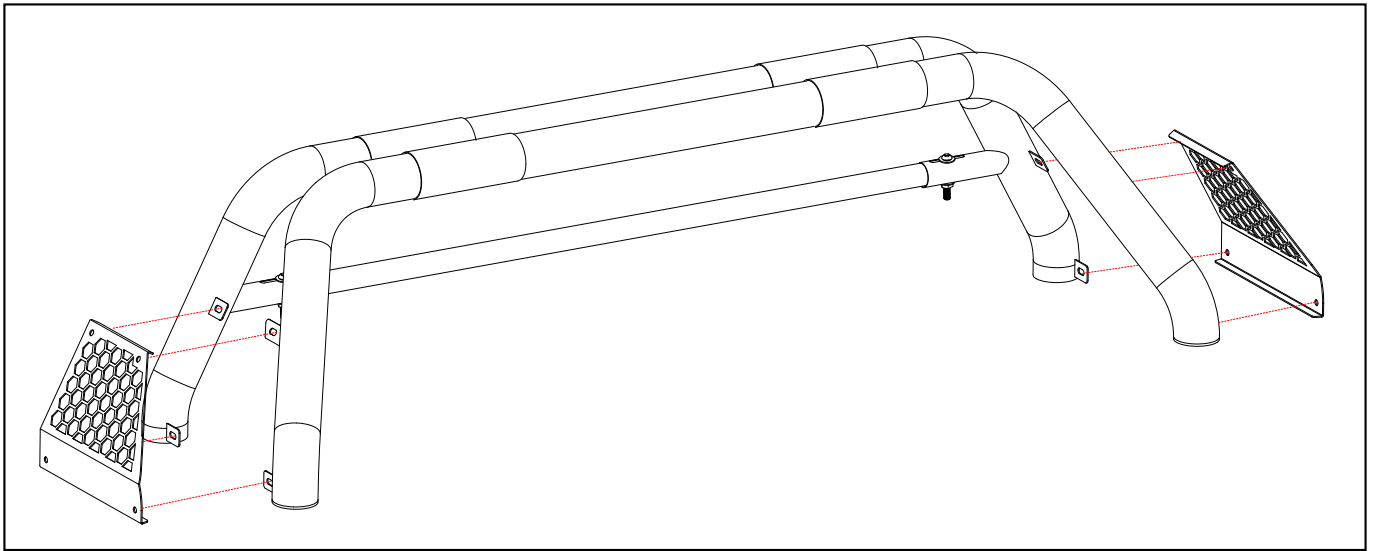
**The main tube 2 is assembled.**



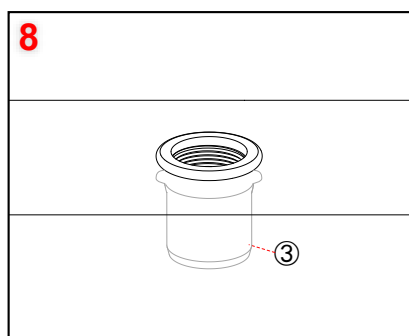
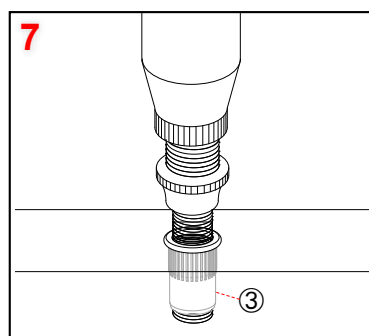
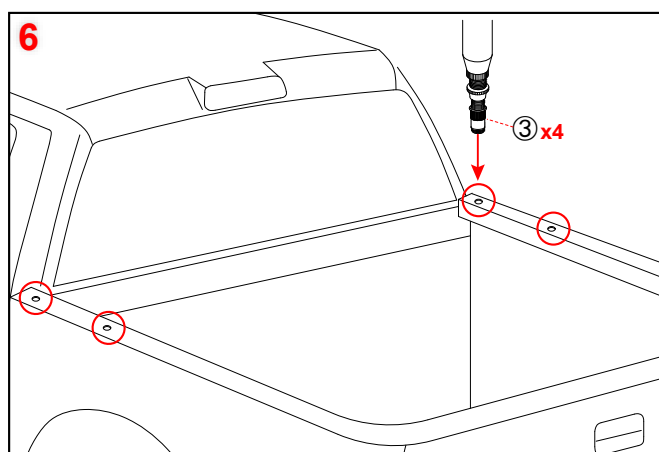
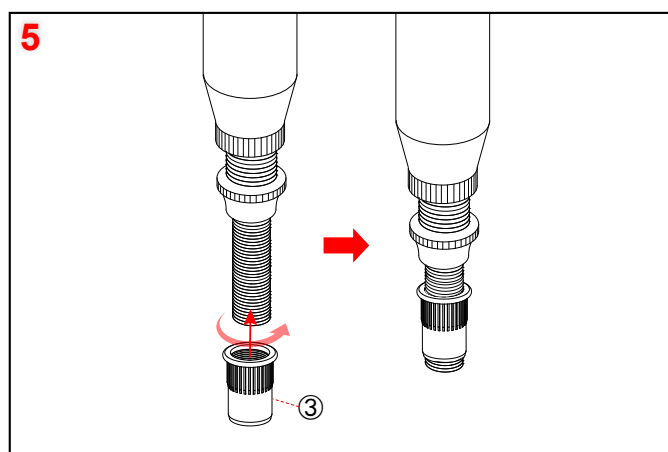
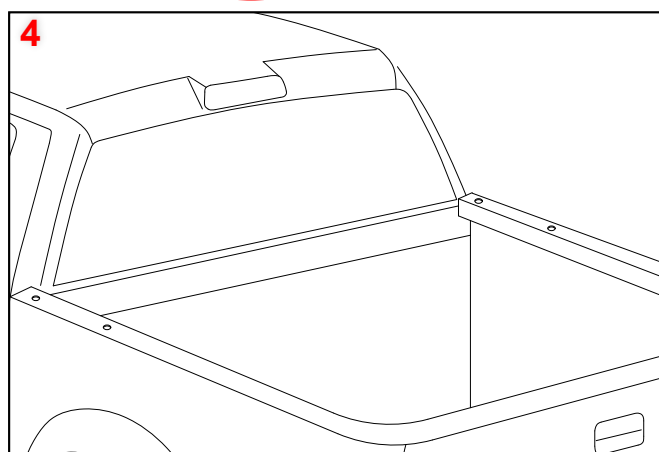
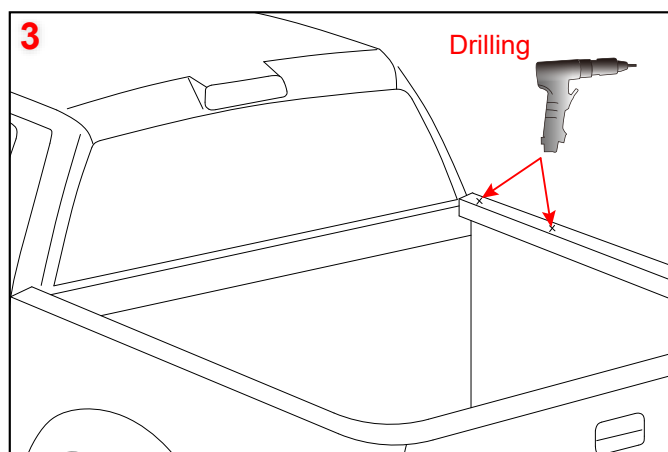
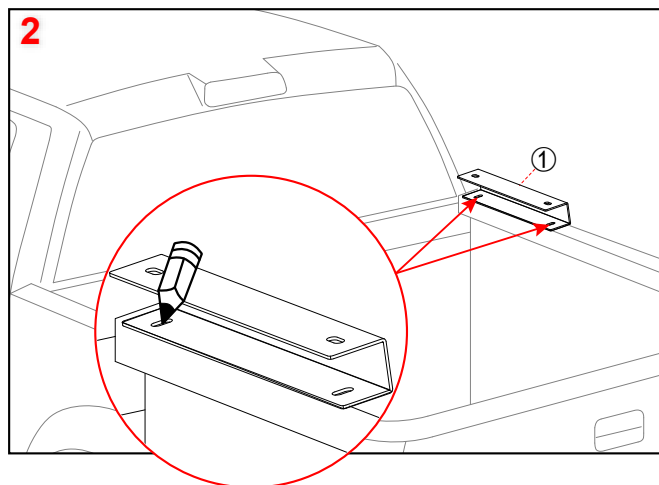
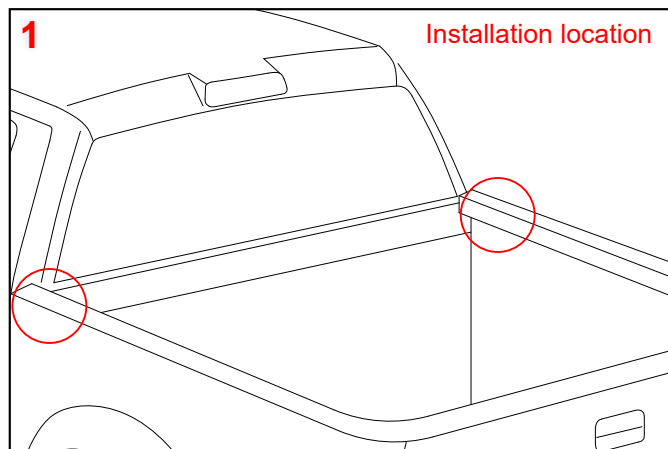
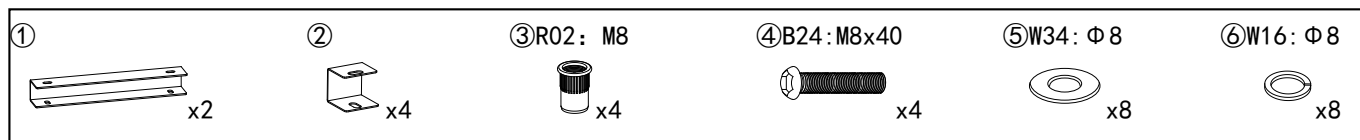
**Step 4: Splice the chase rack.**

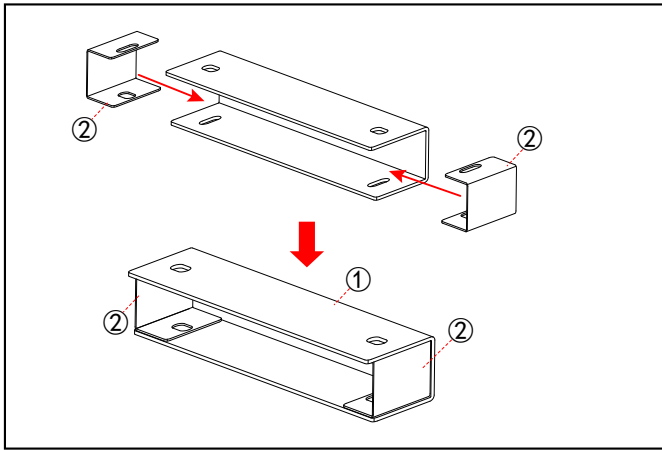






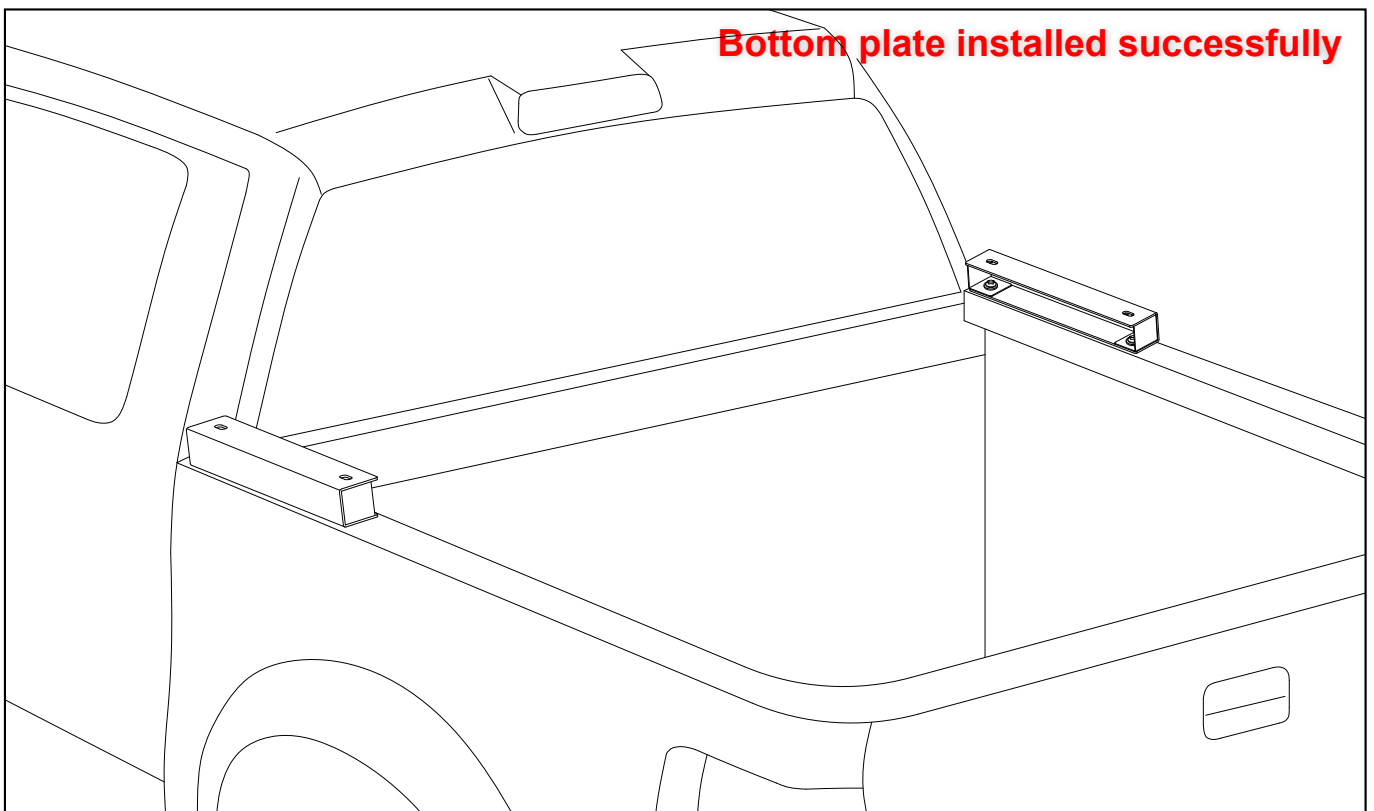
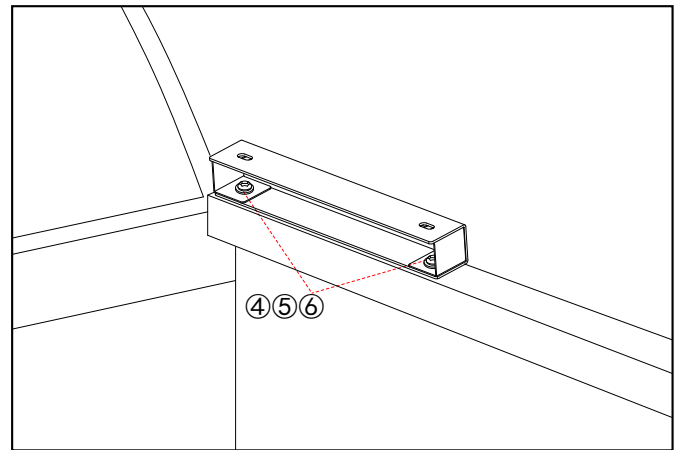
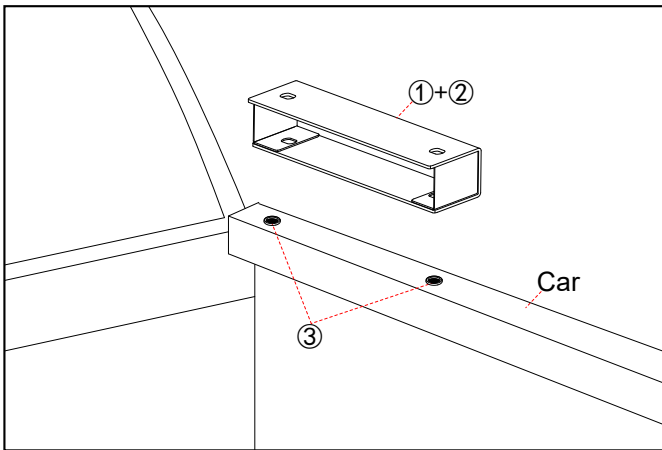
## Step 5: Install the bottom plate.



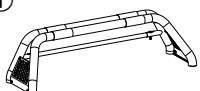





**NOTICE:**

If you have a bed liner to installed, don not installed the ②bottom cover.



# Step 6: Install the chase rack.

①  x1	② B37: M12x35  x4	③ W27: $\Phi$ 12  x4	④ W25: $\Phi$ 12  x4
--	--	---	---

