

# FRONT BUMPER

— User Manual —

2018-2020 Ford F150



|                     |                         |
|---------------------|-------------------------|
| Model:              | NF101A104               |
| Material:           | Q235A                   |
| Product Dimensions: | 33.1 x 14.2 x 10.6 inch |
| Package Dimensions: | 84 x 36 x 27 inch       |
| Product Weight:     | 47.4 lbs                |

---

※Thank you for purchasing the FRONT BUMPER. Please read this manual carefully and keep it properly if you need to refer to it afterward. If you need any support or assistance, please contact us with your product model number and order number, and our support team will help you solve problems.






**⚠ WARNING**

※ This product is designed primarily to enhance the appearance of the vehicle. Do not rely in any way on the components of this product to protect against injury or death in the event of an accident. To reduce the risk of serious injury or property damage, please read all safety messages and understand all instructions and procedure notices before attempting to install or use this product.

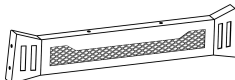

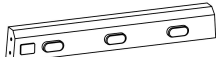
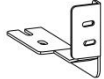


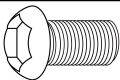

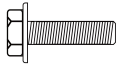
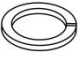


**⚠ CAUTION**

※ Properly torque and recheck fasteners and security of step tread after 250 miles and inspect frequently. Do not use if damaged.

# REQUIRED TOOLS

|  |   |  |   |  |
|--|---|--|---|--|
| <b>Socket</b><br> | <b>Ratchet</b><br> | <b>Wrench</b><br> | <b>Allen Wrench</b><br> | <b>Safety Glasses</b><br> |
|--|---|--|---|--|

## Parts Information

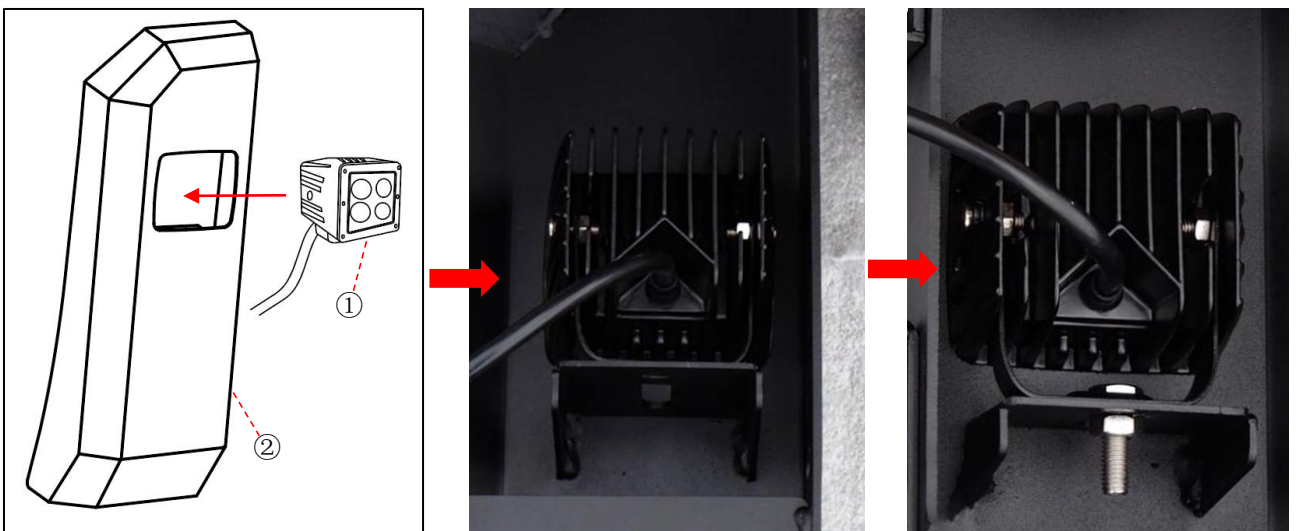
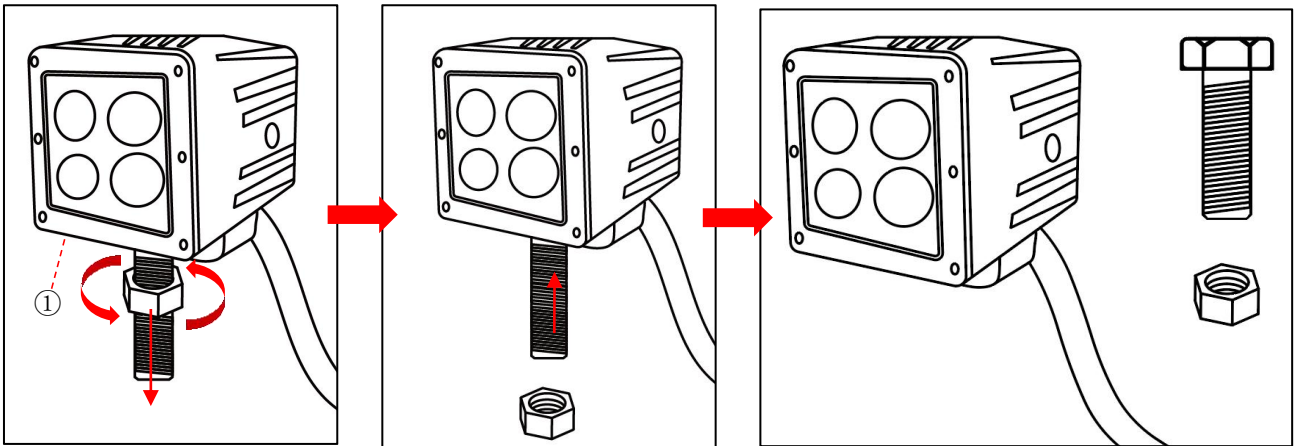
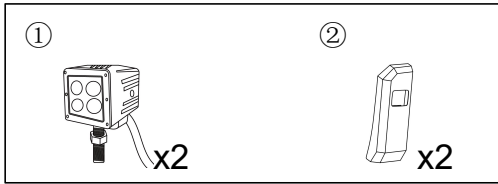
| Parts NO. | Parts Name            | Size      | Line Graph   | Qty | Color             |
|-----------|-----------------------|-----------|--|-----|-------------------|
| /         | Mid Bumper            | /         |    | 1   | Black             |
| /         | Left/Right Bumper     | /         |     | 2   | Black             |
| /         | Top Bumper            | /         |    | 1   | Black             |
| /         | Left/Right Bracket    | /         |  | 2   | Black             |
| /         | License Bracket       | /         |  | 1   | Black             |
| /         | 4 Inch Led light      | /         |   | 2   | Black             |
| B06       | Half Head Allen Bolts | M6x15     |  | 4   | Dacro Black       |
| W11       | Flat Washer           | Φ6x12x1.5 |  | 4   | Dacro Black       |
| B42       | Hex Bolts             | M8x25     |  | 16  | Blue Zinc Plating |
| W30       | Spring Washer         | Φ8        |   | 16  | Blue Zinc Plating |
| W31       | Flat Washer           | Φ8x24x2   |  | 16  | Blue Zinc Plating |
| N25       | Hex Flange Nuts       | M8        |   | 12  | Blue Zinc Plating |

**\*Note: spare parts such as B06、W11、B42、W30、W31、N25 are provided with 2PCS each (included in the number of parts details).**

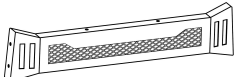








# Installation Instructions

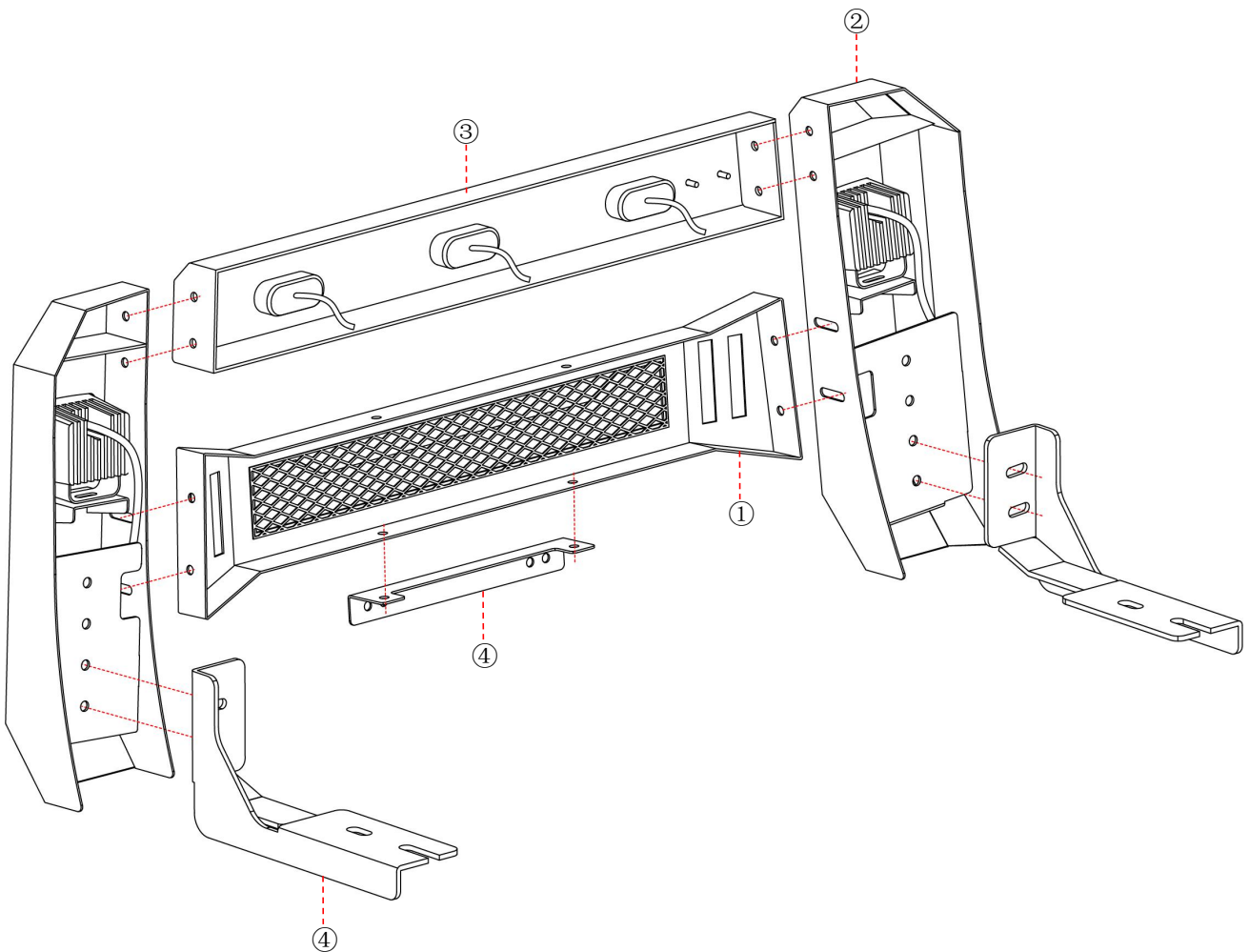
**Step 1:** Open the carton and take out the parts. Check whether the number of components is complete.

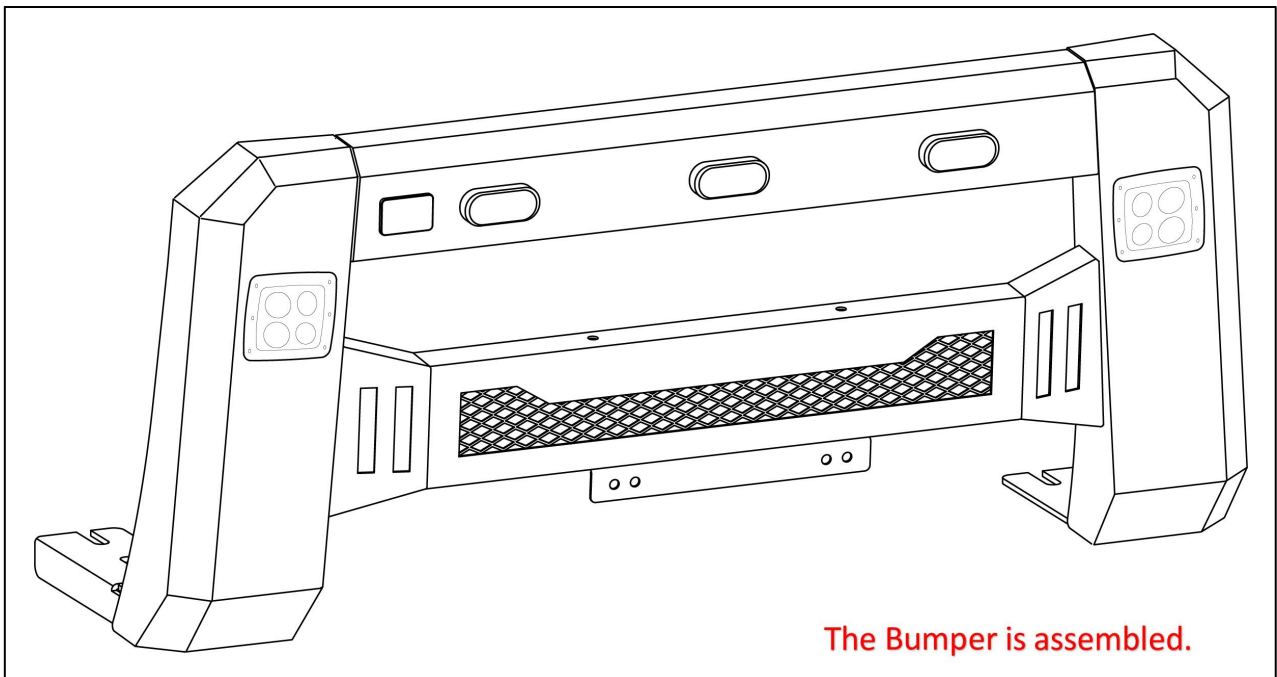
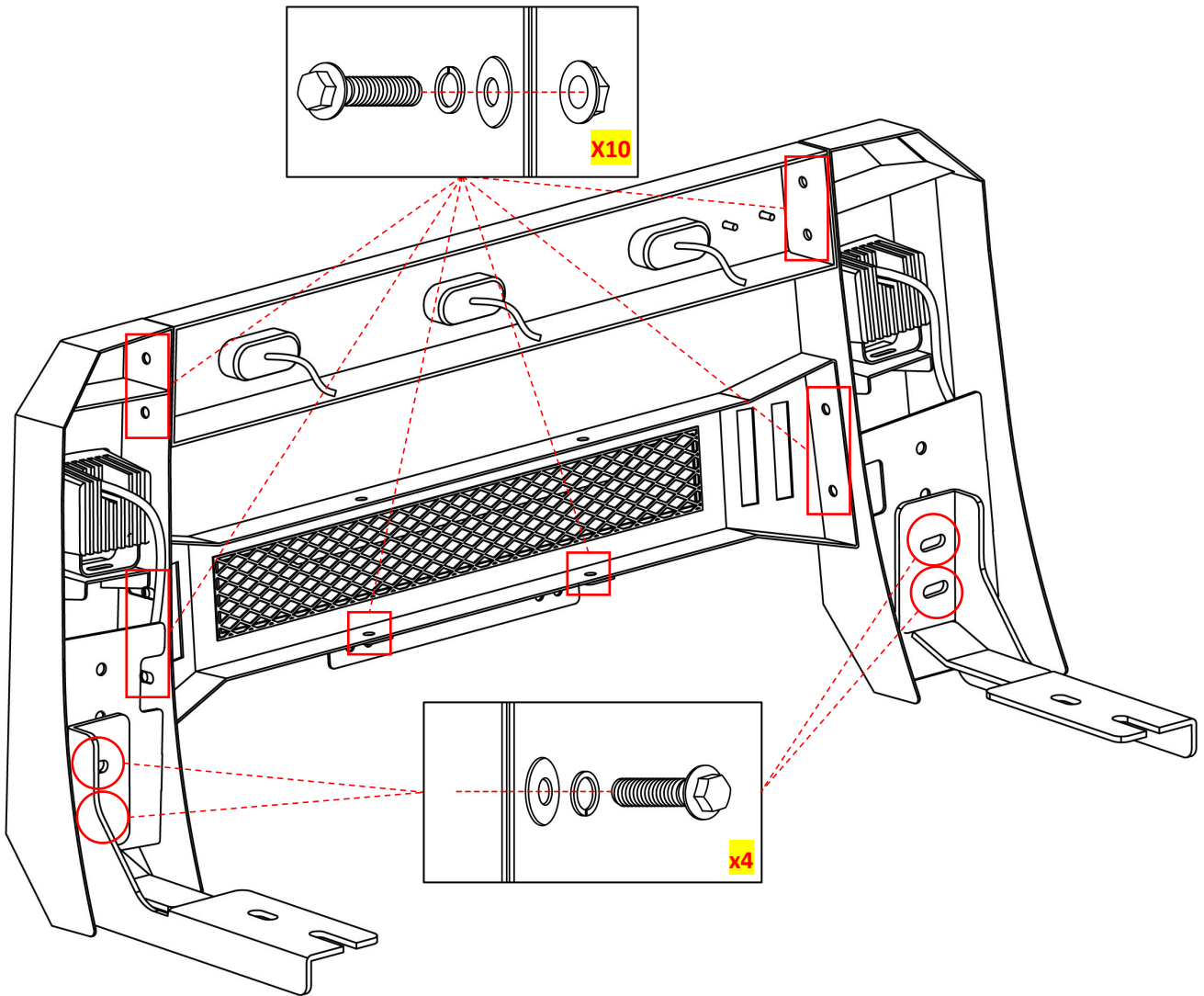
**Step 2:** Install the 4 Inch Ledlight.



### Step 3: Splicing the Bumper.

|  |   |   |  |   |
|--|---|---|--|---|
| <p>①</p>  <p>x1</p> | <p>②</p>  <p>x2</p>          | <p>③</p>  <p>x1</p>          | <p>④</p>  <p>x1</p>         |   |
| <p>⑤</p>  <p>x2</p> | <p>⑥ B42: M8</p>  <p>x14</p> | <p>⑦ W30: Φ8</p>  <p>x14</p> | <p>⑧ W31: Φ8</p>  <p>x14</p> | <p>⑨ N25: M8</p>  <p>x10</p> |



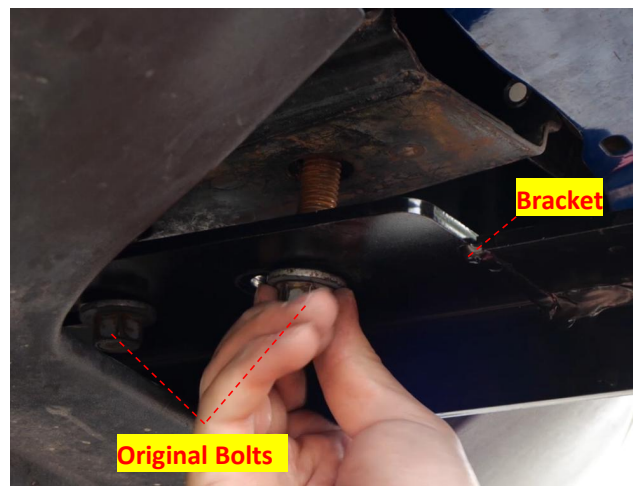
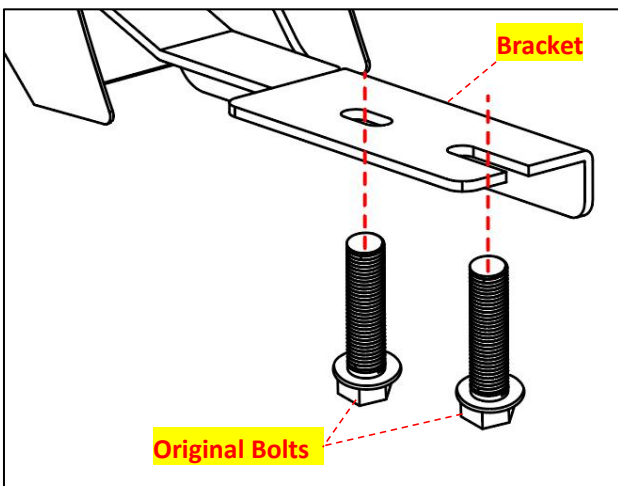
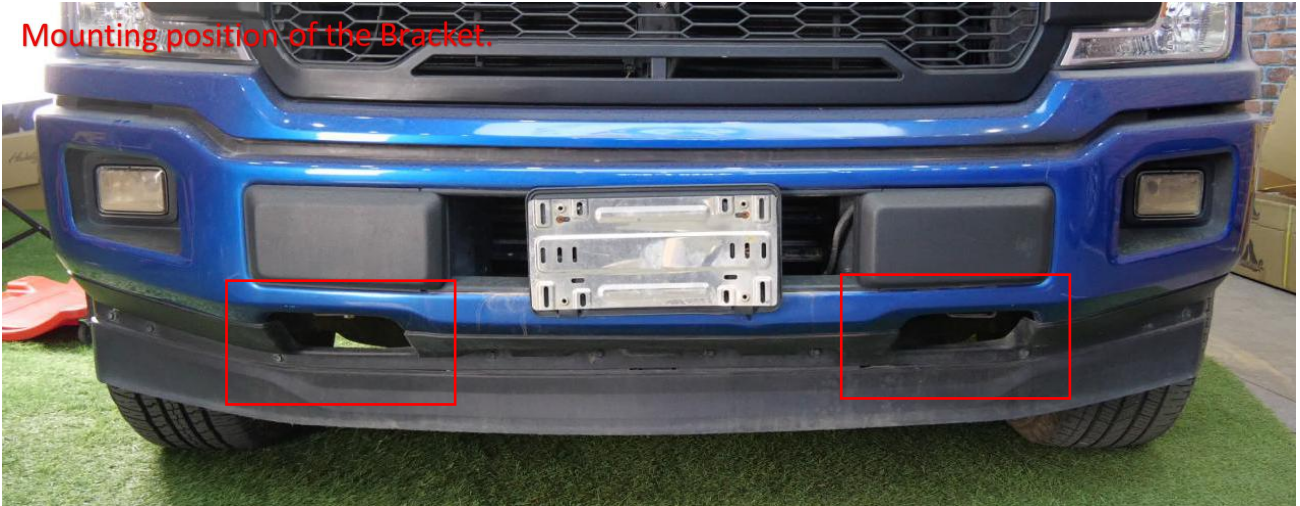


**Note:** Align of the Bumper and tighten the bolts.



**Step 4: Install the Bumper.**

Mounting position of the Bracket.





The Bumper is installed.

**Step 4:** Connect the Bumper light wiring.