

FRONT BUMPER

————— User Manual —————

2018-2020 F-150, Excluding Raptor



Model:	NF101A103
Material:	Q235A
Product Dimensions:	41.4 x 5.9 x 18.4 inch
Package Dimensions:	33 x 14.2 x 10.6 inch
Product Weight:	42.1 lbs

※ Thank you for purchasing the FRONT BUMPER. Please read this manual carefully and keep it properly if you need to refer to it afterward. If you need any support or assistance, please contact us with your product model number and order number, and our support team will help you solve problems.


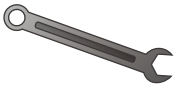

⚠ WARNING

※ This product is designed primarily to enhance the appearance of the vehicle. Do not rely in any way on the components of this product to protect against injury or death in the event of an accident. To reduce the risk of serious injury or property damage, please read all safety messages and understand all instructions and procedure notices before attempting to install or use this product.

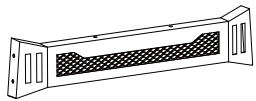

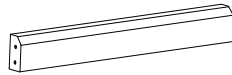
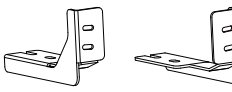
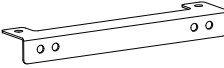

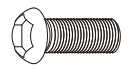

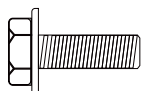
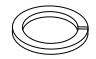

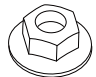
⚠ CAUTION

※ Properly torque and recheck fasteners and security of step tread after 250 miles and inspect frequently. Do not use if damaged.

REQUIRED TOOLS

Socket 	Ratchet 	Wrench 	Allen Wrench 	Safety Glasses 
---	--	---	--	---

Parts Information

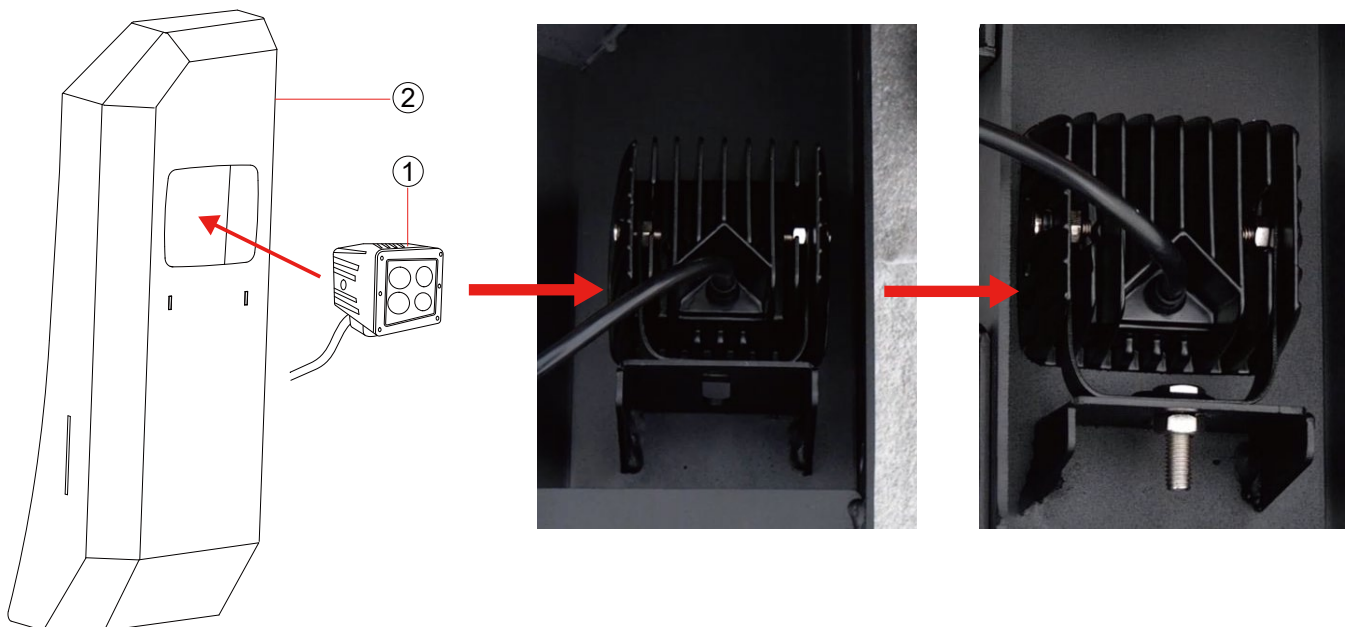
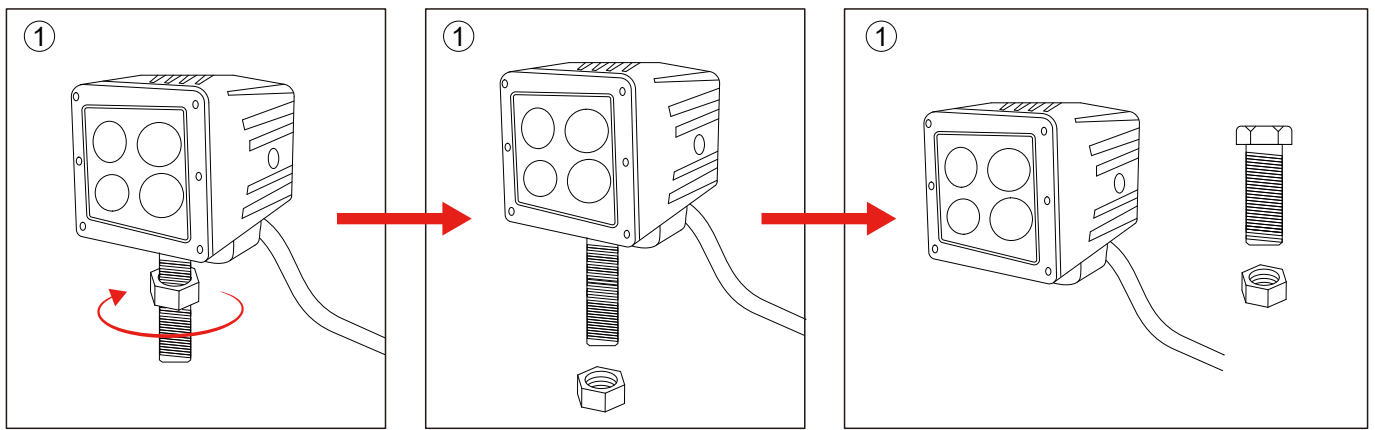
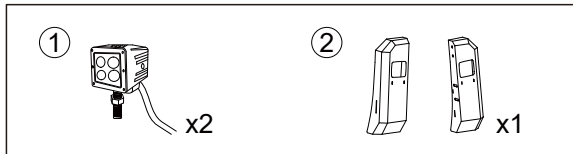
NO.	Parts Name	Size	Line Graph	Qty	Color
/	Mid Bumper	/		1	Black
/	Side Wings	/		1	Black
/	Front Bumper Bull Bar	/		1	Black
/	Left & Right Bracket	/		1	Black
/	License Bracket	/		1	Black
/	4 Inch Led light	/		2	Black
B06	Half Head Allen Bolts	M6x15		4	Dacro Black
W11	Flat Washer	Φ6x12x1.5		4	Dacro Black
B42	Hex Flange Bolts	M8x25		16	Blue Zinc Plating
W30	Spring Washer	Φ8		16	Blue Zinc Plating
W31	Flat Washer	Φ8x24x2		16	Blue Zinc Plating
N25	Hex Flange Nuts	M8		12	Blue Zinc Plating

***Note:** spare parts such as B06、W11、B42、W30、W31、N25 are provided with 1PCS each (included in the number of parts details).

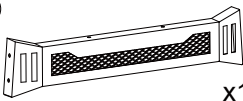
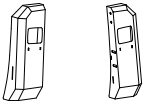
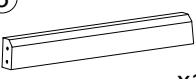
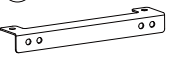

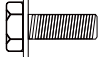



Installation Instructions

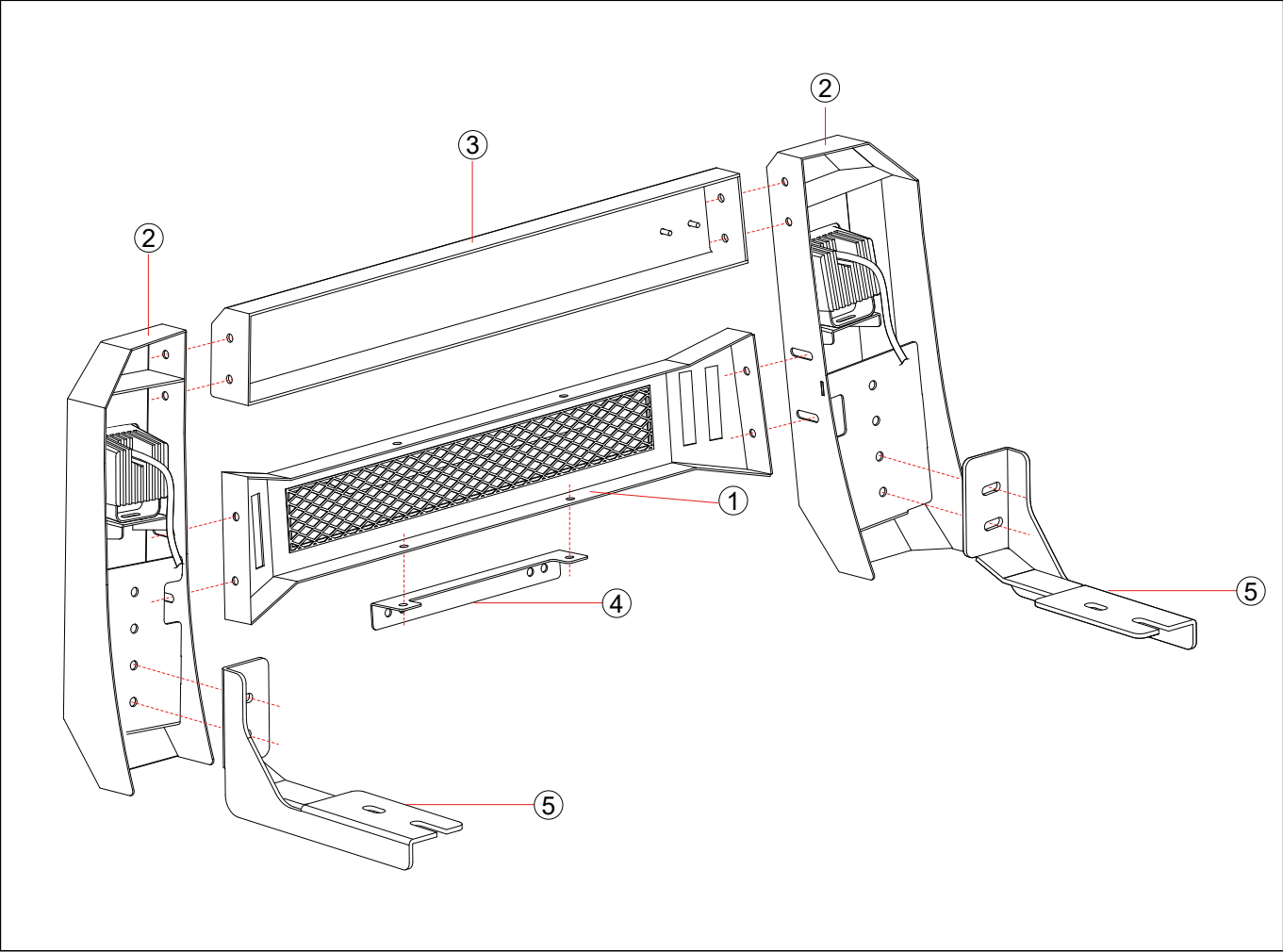
Step 1: Open the carton and take out the parts. Check whether the number of components is complete.

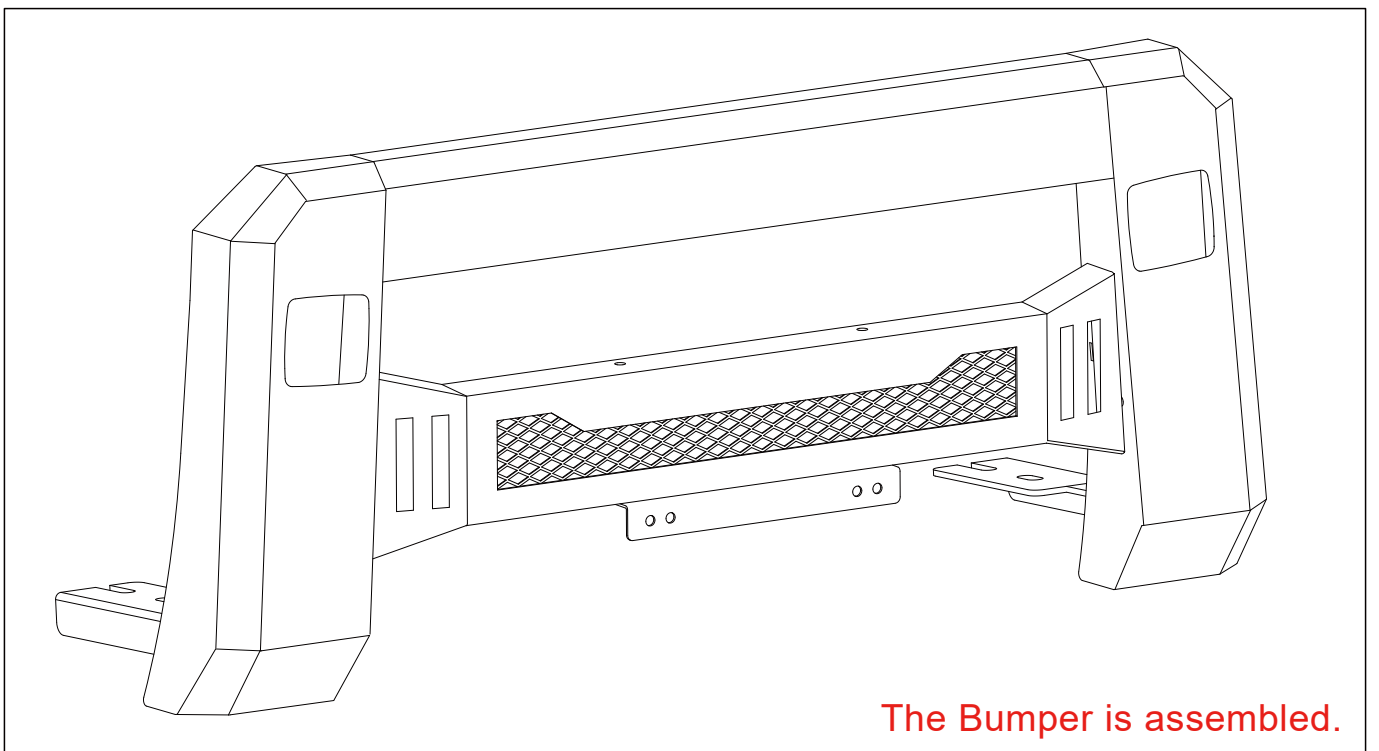
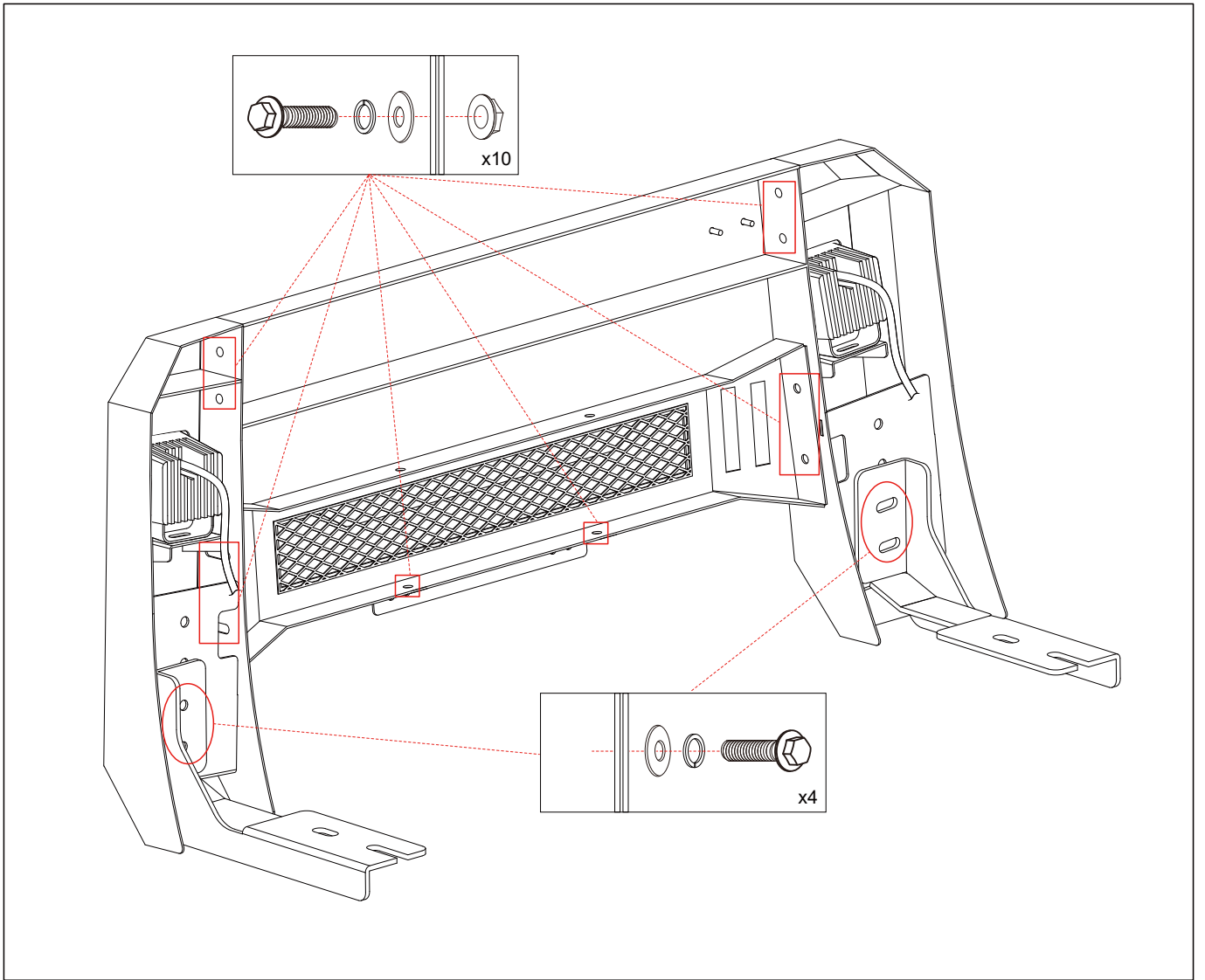
Step 2: Install the 4 Inch Ledlight.



Step 3: Splicing the Bumper.

 <p>① x1</p>	 <p>② x1</p>	 <p>③ x1</p>	 <p>④ x1</p>	
 <p>⑤ x1</p>	 <p>⑥ B42: M8x25 x14</p>	 <p>⑦ W30: Φ8 x14</p>	 <p>⑧ W31: Φ8 x14</p>	 <p>⑨ N25: M8 x10</p>

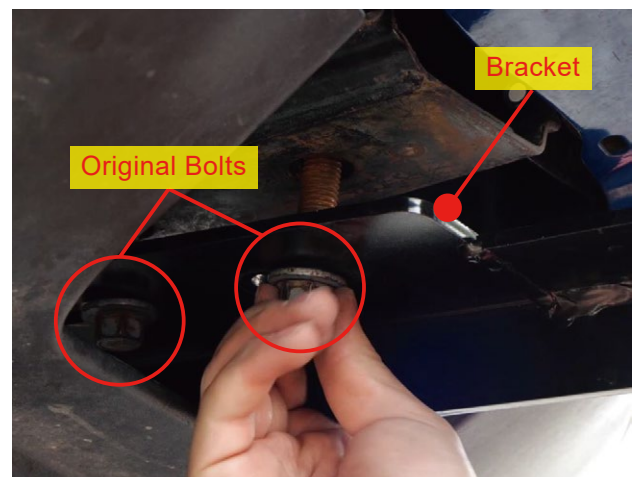
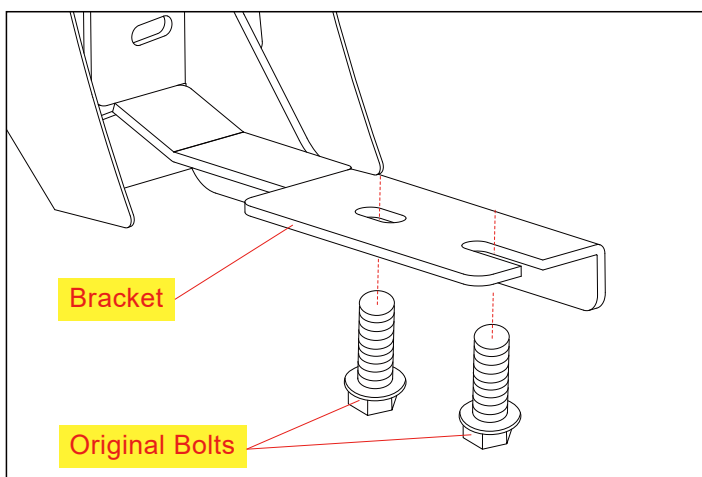
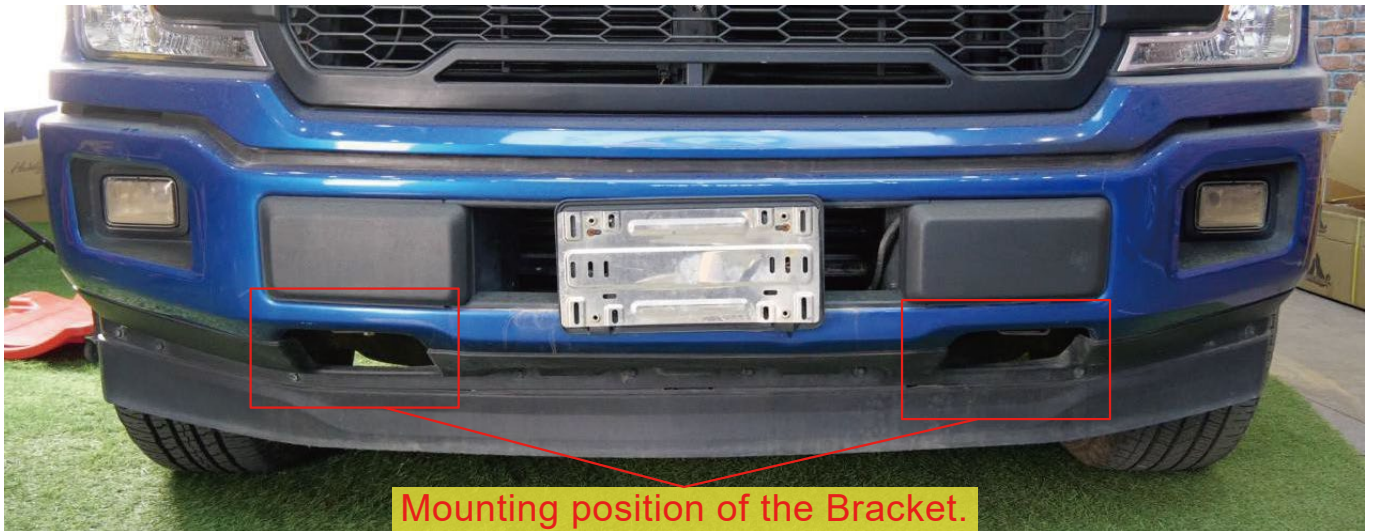




The Bumper is assembled.

Note: Align of the Bumper and tighten the bolts.

Step 4: Install the Bumper.





The Bumper is assembled.

Step 5: Connect the Bumper light wiring.