



42" LEGACY UNDERMOUNT SINK

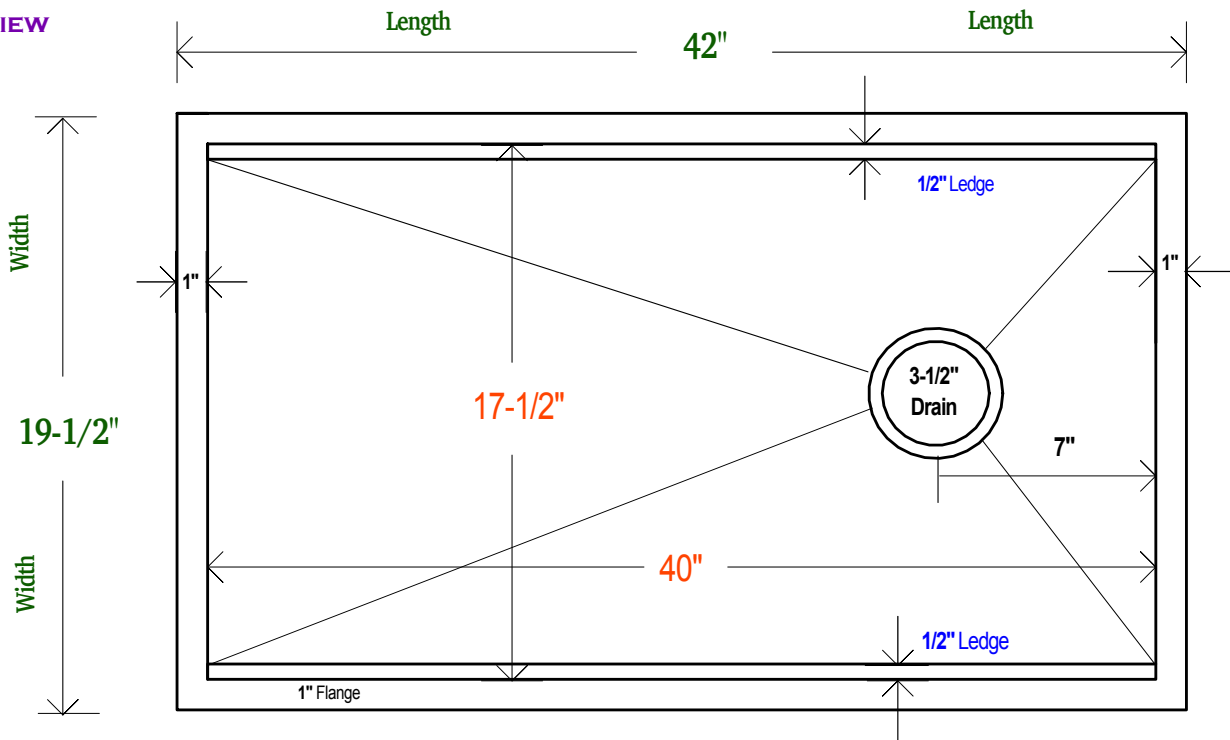
- **METAL** = 16 GAUGE TYPE 316 STAINLESS STEEL
- **MODEL** = LEGACY UNDERMOUNT - 42 INCH
- **FINISH** = SELECT LUXURY METAL FINISH
- **DRAIN** = RIGHT OFFSET - KITCHEN 3-1/2" SIZE

OVERALL SIZE
 42" X 19-1/2" X 8"

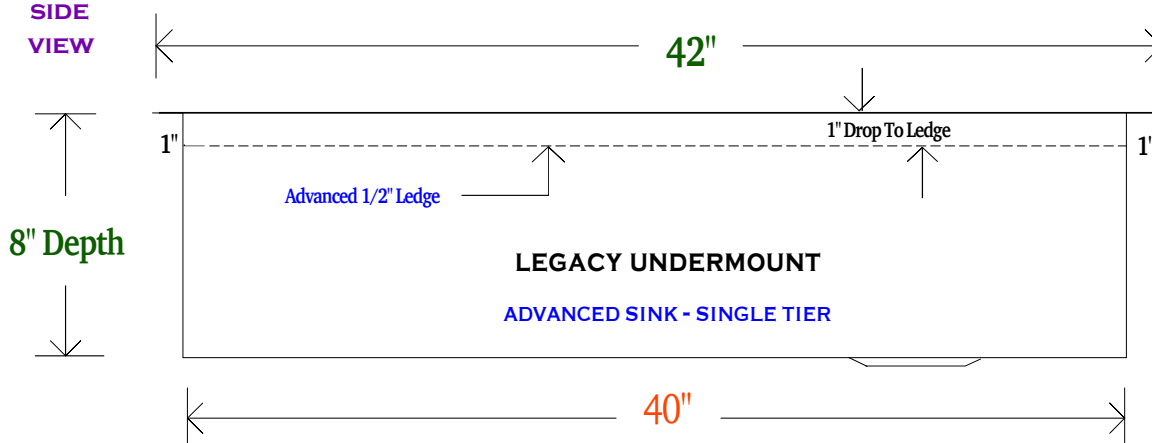
INSIDE BOWL
 40" X 17-1/2" X 8"

100% CUSTOMIZABLE

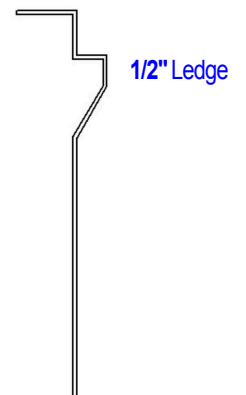
TOP VIEW



SIDE VIEW



LEDGE PROFILE





ADVANCED SINK ACCESSORIES

1 - SELECT (NO PACKAGE) | 2 - HOME CHEF | 3 - PRO CHEF | 4 - ELITE CHEF

1 - 4

SELECT



PACKAGE

METAL FINISH
LUXE STAINLESS

BOARDS FINISH
AMBER BAMBOO

ACCESSORY FIT
ADVANCED SINK

STANDARD -
17.5" LEDGE DISTANCE

CUSTOM -

DRYING RACK

12 INCH -

15 INCH -

18 INCH -

DROP IN BOWL

12 INCH -

15 INCH -

18 INCH -

DROP IN STRAINER

12 INCH -

15 INCH -

18 INCH -

BAKING SHEET

12 INCH -

15 INCH -

18 INCH -

CUTTING BOARD

12 INCH -

15 INCH -

18 INCH -

MIXING BOARD

ONE SIZE -

12 INCHES WIDE
5 QUART BOWL

TRIPLE SERVE

ONE SIZE -

9 INCHES WIDE
3 CONTAINERS

SEGMENTED COVER

ONE PIECE -

TWO PIECE -

THREE PIECE -

SPONGE CADDY

3 INCH - 6 INCH -

BASIN GRATE

SINGLE - SEGMENTED -

INSTALL COMPONENTS

DISPOSAL DRAIN -

STRAINER DRAIN -

PRO DISPOSAL UNIT -

COPPER CAULKING -

STAINLESS SILICONE -

CLEANING & CARE PACK -

UNDER SINK STORAGE -

SELECTED FAUCET(S) -

NOTES: N/A