



## 30" LEGACY UNDERMOUNT SINK

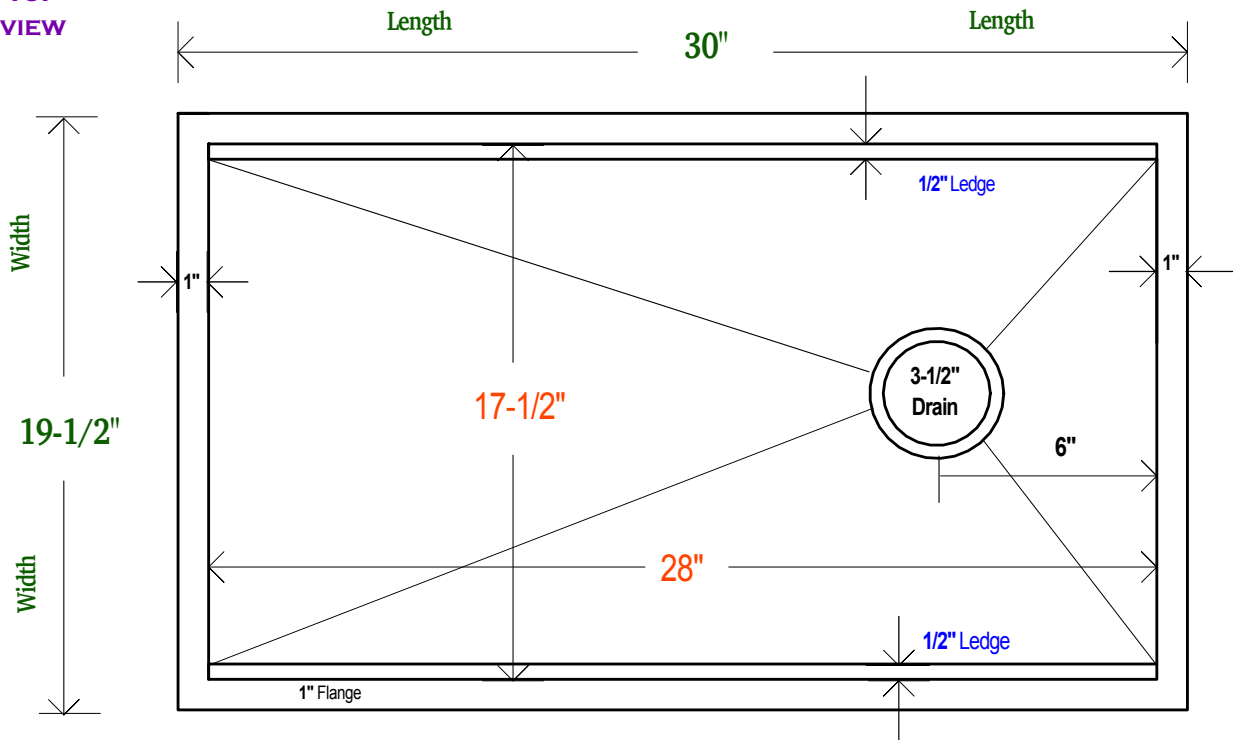
- METAL = 16 GAUGE TYPE 316 STAINLESS STEEL
- MODEL = LEGACY UNDERMOUNT - 30 INCH
- FINISH = SELECT LUXURY METAL FINISH
- DRAIN = RIGHT OFFSET - KITCHEN 3-1/2" SIZE

OVERALL SIZE  
30" x 19-1/2" x 8"

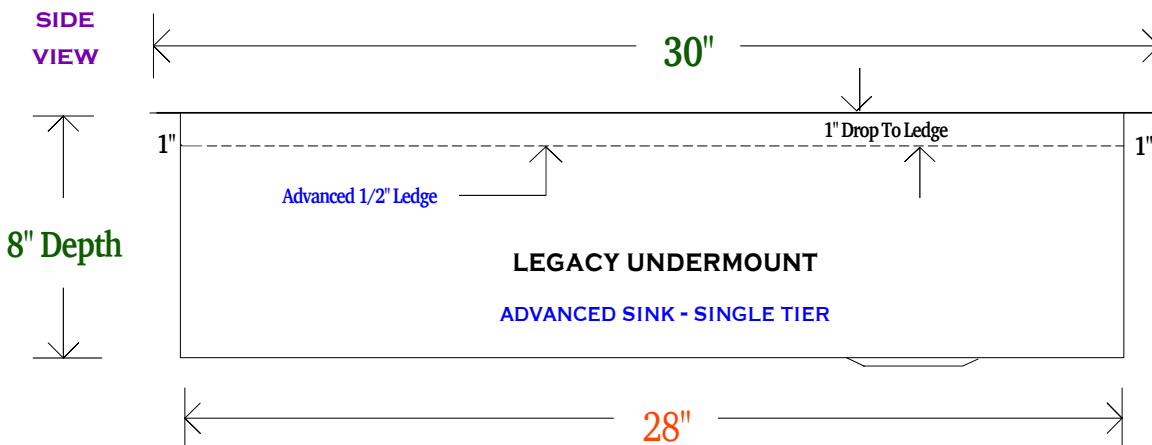
INSIDE BOWL  
28" x 17-1/2" x 8"

100% CUSTOMIZABLE

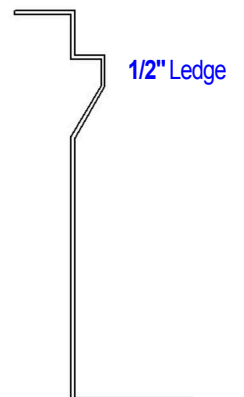
TOP VIEW



SIDE VIEW



LEDGE PROFILE





**ADVANCED SINK ACCESSORIES**

1 - SELECT (NO PACKAGE) | 2 - HOME CHEF | 3 - PRO CHEF | 4 - ELITE CHEF

**1 - 4**

SELECT



PACKAGE

METAL FINISH  
**LUXE STAINLESS**

BOARDS FINISH  
**AMBER BAMBOO**

ACCESSORY FIT  
ADVANCED SINK

STANDARD -   
17.5" LEDGE DISTANCE

CUSTOM -

DRYING RACK

12 INCH -

15 INCH -

18 INCH -

DROP IN BOWL

12 INCH -

15 INCH -

18 INCH -

DROP IN STRAINER

12 INCH -

15 INCH -

18 INCH -

BAKING SHEET

12 INCH -

15 INCH -

18 INCH -

CUTTING BOARD

12 INCH -

15 INCH -

18 INCH -

MIXING BOARD

ONE SIZE -

12 INCHES WIDE  
5 QUART BOWL

TRIPLE SERVE

ONE SIZE -

9 INCHES WIDE  
3 CONTAINERS

SEGMENTED COVER

ONE PIECE -

TWO PIECE -

THREE PIECE -

SPONGE CADDY

3 INCH -  6 INCH -

BASIN GRATE

SINGLE -  SEGMENTED -

INSTALL COMPONENTS

DISPOSAL DRAIN -

STRAINER DRAIN -

PRO DISPOSAL UNIT -

COPPER CAULKING -

STAINLESS SILICONE -

CLEANING & CARE PACK -

UNDER SINK STORAGE -

SELECTED FAUCET(S) -

NOTES: N/A