



## CUSTOM ELEMENT SINK

- METAL = 16-GAUGE TYPE 316 STAINLESS STEEL
- MODEL = CUSTOM ELEMENT SINK - 24 INCH
- FINISH = SELECT LUXURY METAL FINISH
- DRAIN = CENTERED - SELECT SIZE (3,2,1)

### OVERALL SIZE

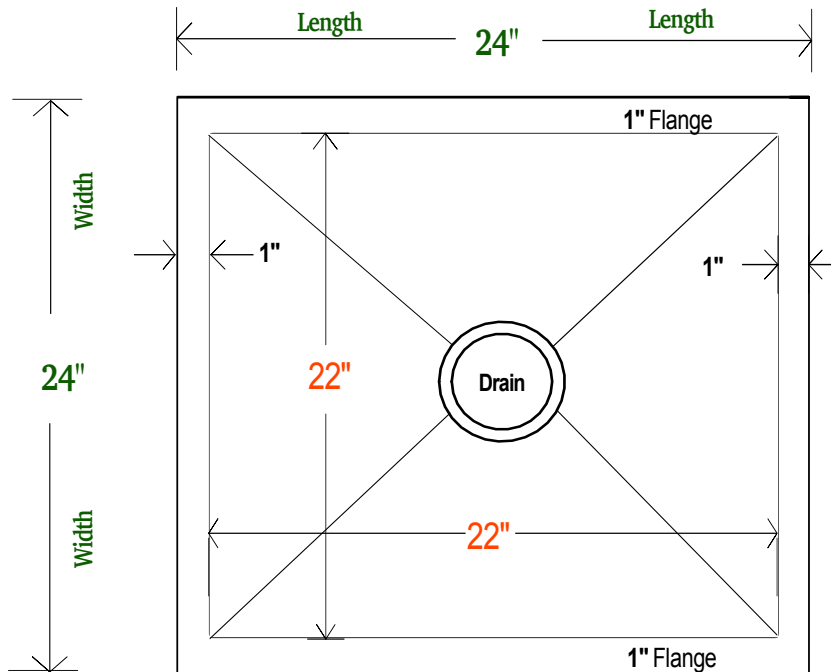
24" x 24" x 8"

### INSIDE BOWL

22" x 22" x 8"

100% CUSTOMIZABLE

TOP VIEW



### DRAIN SIZES

KITCHEN = 3-1/2"

BAR = 2-1/2"

BATH = 1-1/4"

SIDE VIEW

