



CUSTOM ELEMENT SINK

- METAL = 16-GAUGE TYPE 316 STAINLESS STEEL
- MODEL = CUSTOM ELEMENT SINK - 20 INCH
- FINISH = SELECT LUXURY METAL FINISH
- DRAIN = CENTERED - SELECT SIZE (3,2,1)

OVERALL SIZE

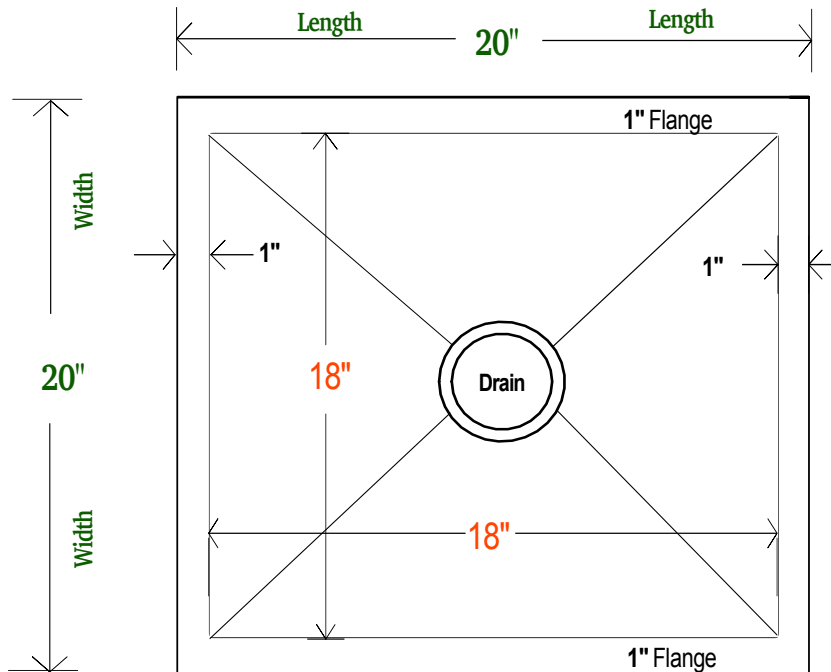
20" x 20" x 8"

INSIDE BOWL

18" x 18" x 8"

100% CUSTOMIZABLE

TOP VIEW



DRAIN SIZES

KITCHEN = 3-1/2"

BAR = 2-1/2"

BATH = 1-1/4"

SIDE VIEW

