

Installation Instructions.

OZARKÉ

Important Disclaimer To prevent warping, we highly recommend letting the panels sit in the boxes opened for at least a week before installing

Dimensions.

The wall panels are made up of natural solid wood sustainable, comes in 3 different patterns with the same dimensions listed below:

Info:

Each box contains 1 panel.

Each box covers (*size Large*):

- 23.62" / 600mm (Height)
- 23.62" / 600mm (Width)
- 0.71" / 18mm (Depth)

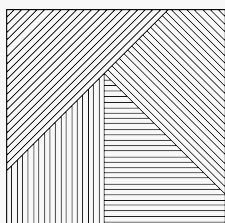
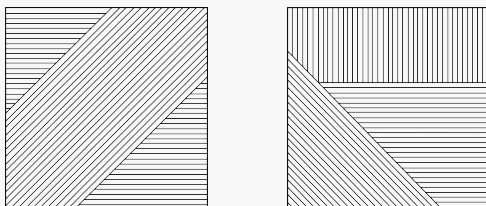
Real wood veneer:

It is important to note that the natural solid wood used for the panels can vary in color, grain structure, and appearance from panel to panel.

Care and maintenance.

For the best results, we recommend applying a protective finish to the panels, such as wood oil, to protect the natural look and feel of the wood. This also makes cleaning and maintenance easier. Dust or vacuum the panels regularly to prevent any dust buildup. If a protective finish is not applied, the panels can be cleaned with a dry cloth.

Three patterns available



How to cut wall panels

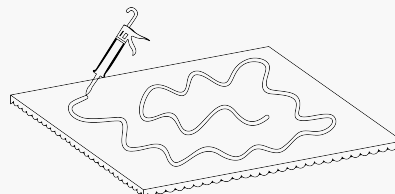
For the best results, we recommend using a sawing machine to cut through the wood. A sharp manual saw is acceptable but will not guarantee the best outcome.

How to install wall panels

There are three options for installing the wall slats:

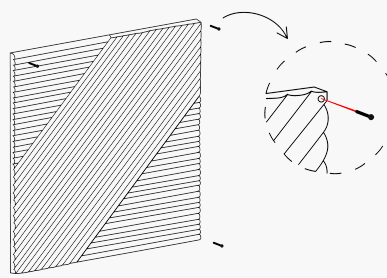
1. Gluing Straight to Wall:

For this option, you'll need a construction glue or grab adhesive



2. Screwing directly into wall:

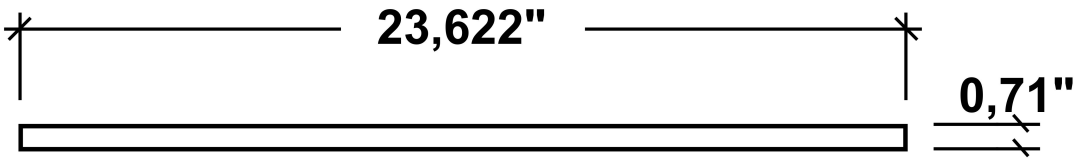
Using appropriate screws (depends on the backing). The panels can be screwed directly into the wall through the corner of the panel. We recommend 4 screws per panel, at even distribution width and length.



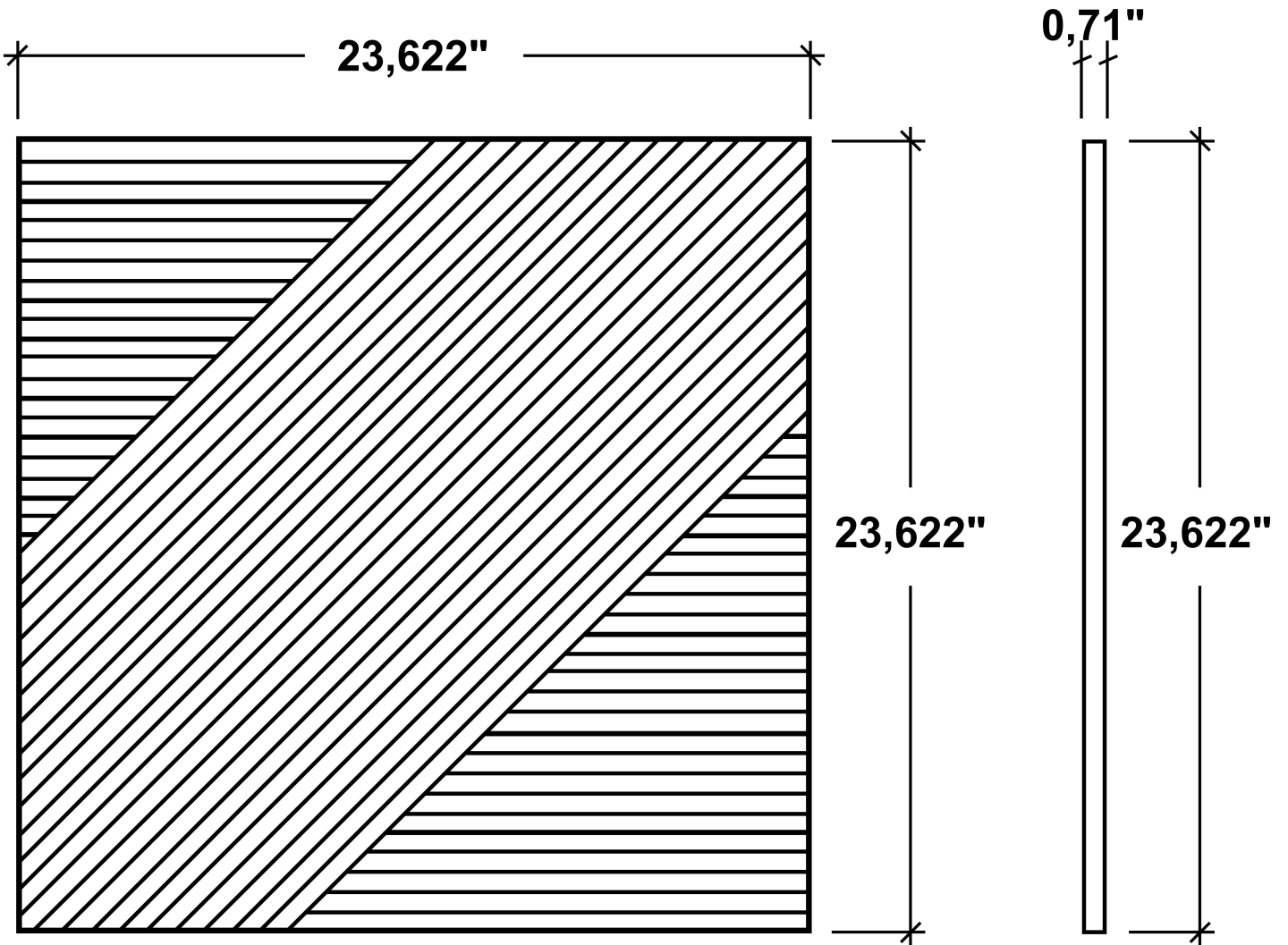
Technical Support:

If you need assistance with technical drawings, graphs, or installation, please don't hesitate to contact us at +1 800-604-7271 or info@ozarke.com. We're here to help!

PANEL 1



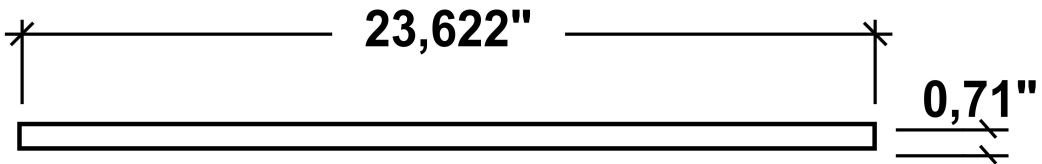
TOP VIEW



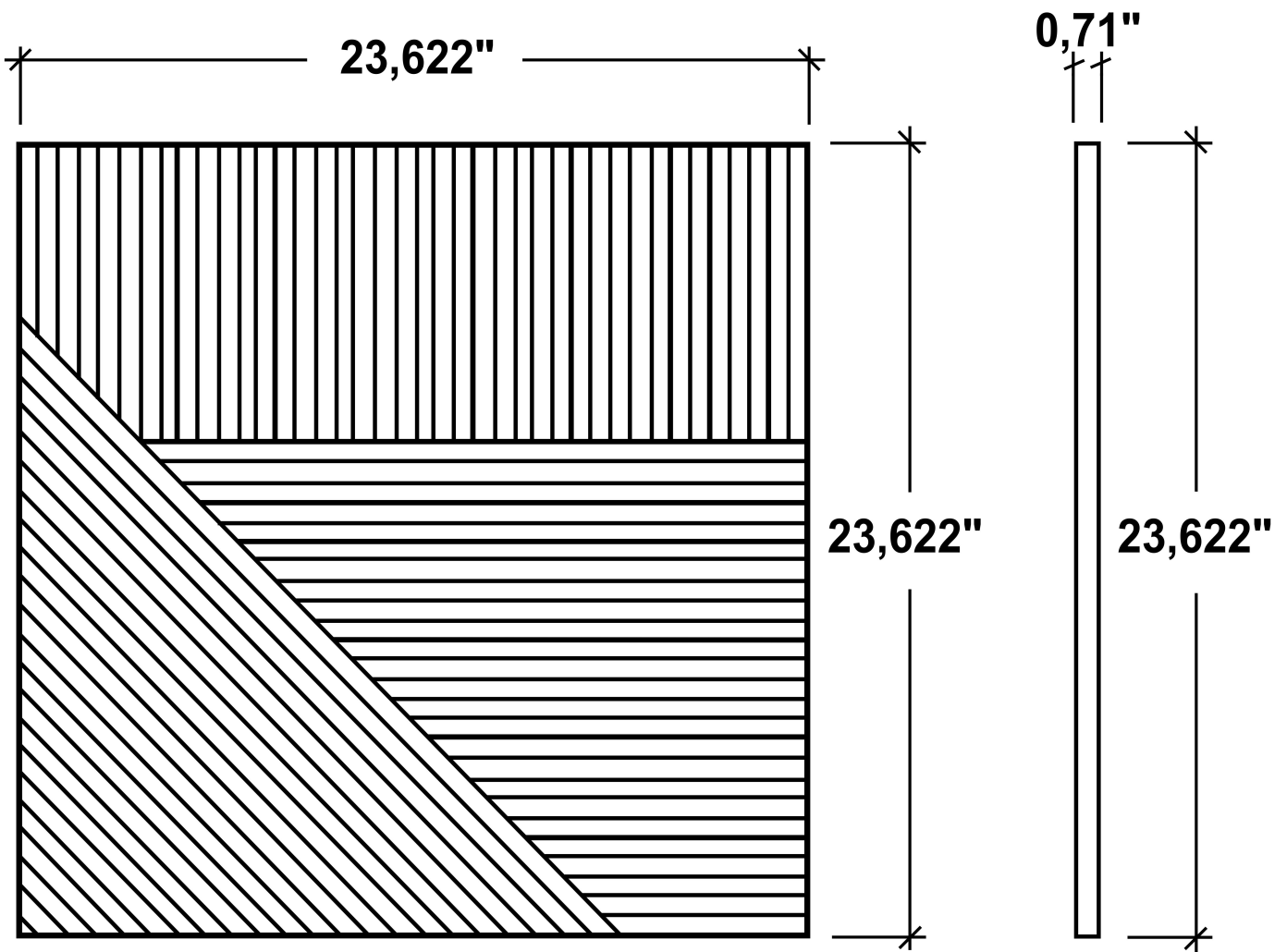
FRONT VIEW

SIDE VIEW

PANEL 2



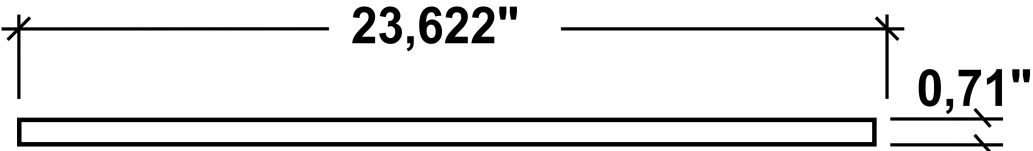
TOP VIEW



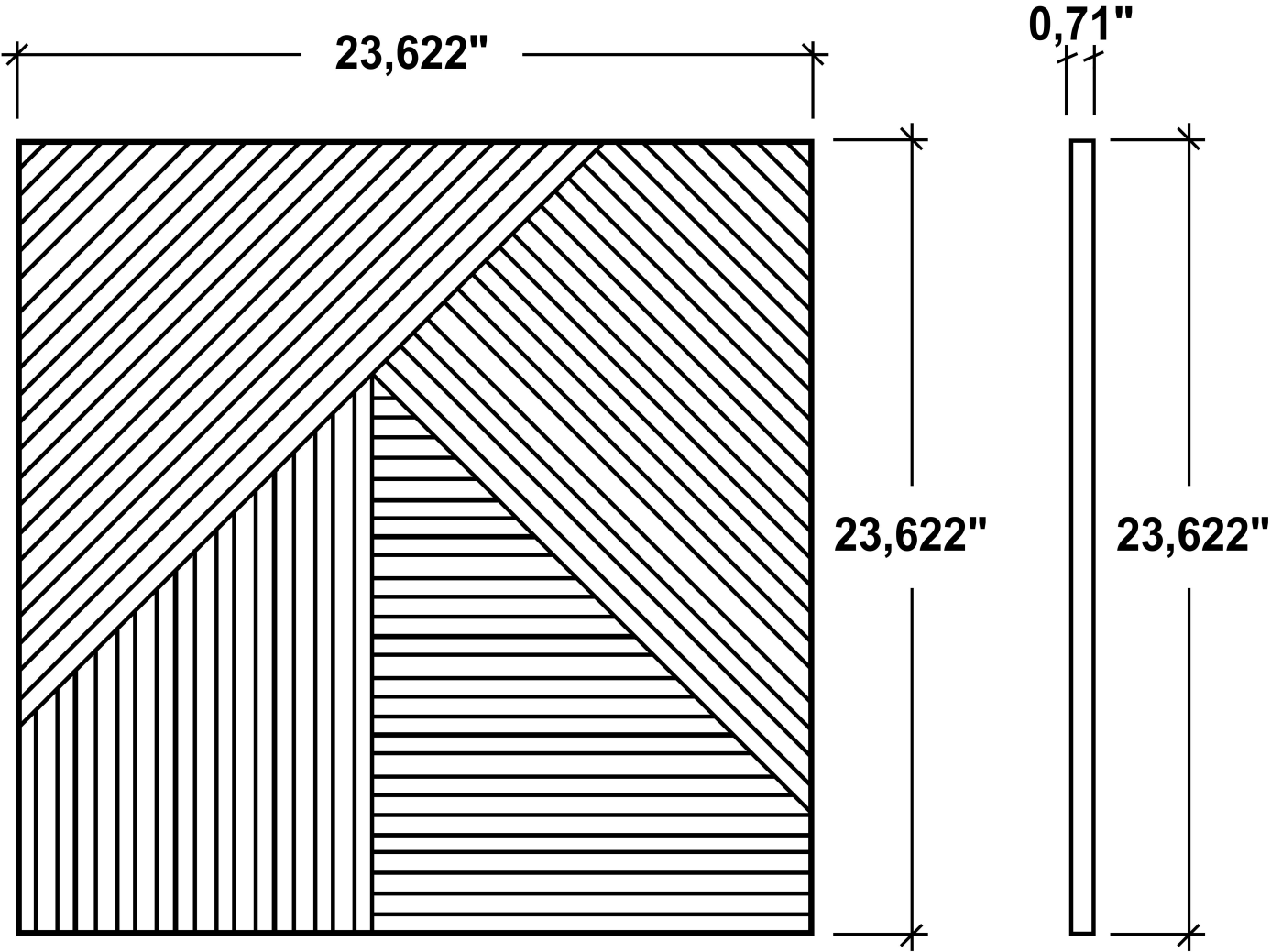
FRONT VIEW

SIDE VIEW

PANEL 3



TOP VIEW



FRONT VIEW

SIDE VIEW