

OZARKÉ

INSTRUCTION MANUAL

OZARKÉ

Thank you for shopping with Ozarké, we really appreciate your business. Our goal is to provide an excellent customer service before, during and after delivery. We've included a guide on how to install this light, should you require additional assistance please feel free to email us at info@ozarke.com and one of our customer service reps will reach out to assist you.

Before you get started:

When working with electrical wiring, follow these safety instructions to prevent injury or damage:

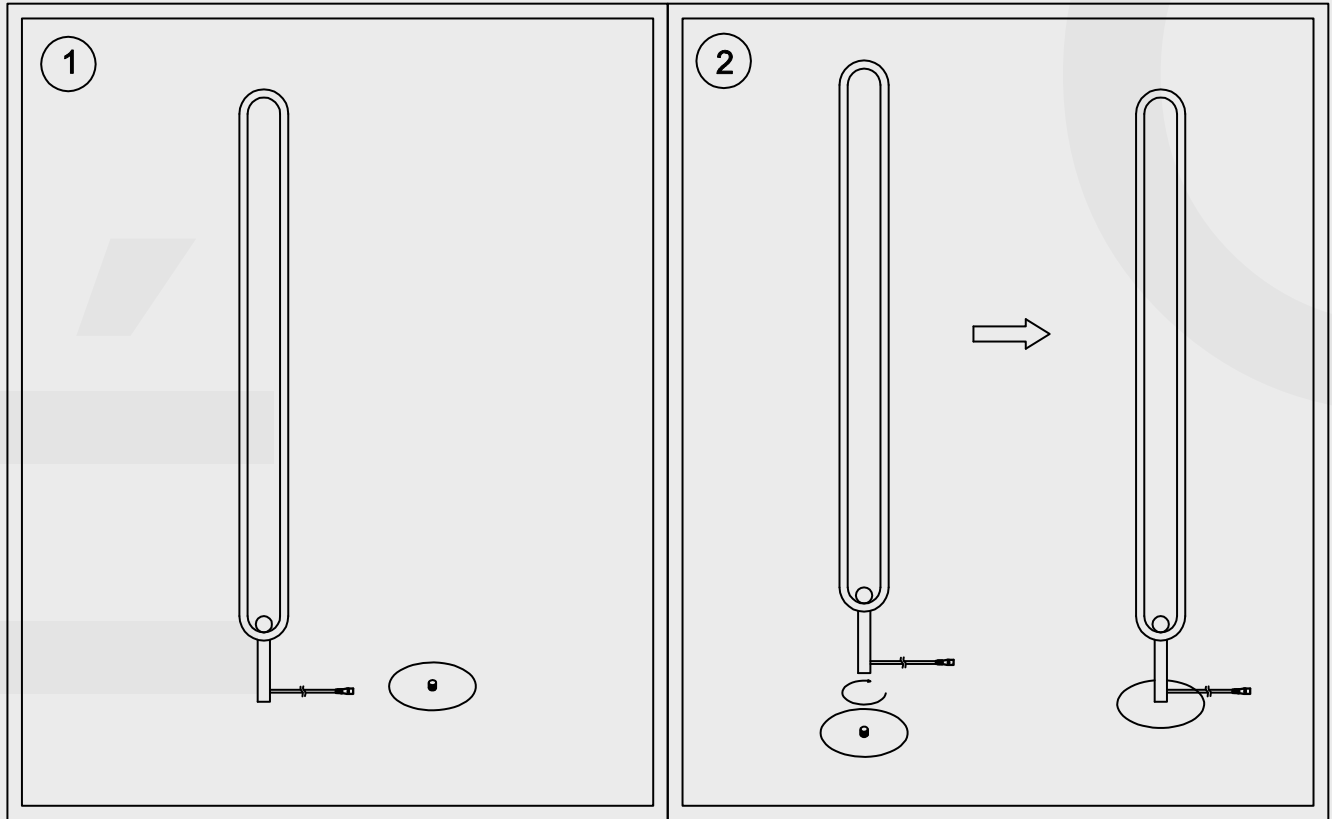
1. Turn off the power: Before starting any work, turn off the power to the area you will be working in.
2. Use appropriate tools: Only use tools designed for electrical work and in good condition.
3. Wear protective gear: Wear safety glasses, gloves, and other protective gear as necessary.
4. Test for power: Use a non-contact voltage tester to check for electrical current before touching any wires.
5. Avoid wet conditions: Do not work with electrical wiring in wet or damp conditions.
6. Keep a safe distance: Stay away from exposed wires or electrical components.
7. Seek professional help: Consult a qualified electrician if you are unsure about any aspect of electrical wiring or encounter any problems.



WARNING!

1. Do not use the power supply beyond the specified range (100-240V,50Hz).
2. Avoid scratching the surface and wires of the lamp during installation.
3. Do not install the lamp outdoors.
4. The lamp should not be close to corrosive chemical objects or gases.
It should not be washed with water. It can only be wiped with a clean soft cloth.

Installation Instructions



1	Empty the box, ensuring you have the following items: one lamp with a metal base, one US plug, and one tool bag.
2	Assemble the lamp by connecting the metal base to the lamp body as illustrated in Figure 2.

Remote Control Instructions

1- Please Install two AAA batteries. Once you have installed the batteries, point the remote at the light fixture and press the "On" button the light will come on. The remote should connect automatically once the batteries are installed (If the remote does not connect see step 2)

2- To connect the remote to the lamp, it must be done within the first 3 seconds after you power the fixture on, press the "on" button until the fixture flashes.

3- Once the light is on, use the "+" and "-" buttons on the remote to adjust the brightness. Pressing "+" will increase the brightness, while "-" will decrease it.

4- Once the light is on, use the "k+" and "k-" buttons on the remote to adjust the color temperature. Pressing "k+" will increase the temperature while "k-" will decrease it. Increasing the temperature will make the emitting color cold and decreasing the temperature will make the emitting color warm.

Helpful information

1 - ON: Turns the light on/ Connects to lamp/ Clears code

2 - Off: Turns the light off

3 - Wheel buttons: Adjusts temperature and brightness

4 - 30%: 30% brightness

5 - 80%: 80% brightness

6 - Moon Button: 10% brightness

7 - C: Cold White

8 - W: Warm light

