

OZARKÉ

INSTRUCTION MANUAL

OZARKÉ

Thank you for shopping with Ozarké, we really appreciate your business. Our goal is to provide an excellent customer service before, during and after delivery. We've included a guide on how to install this light, should you require additional assistance please feel free to email us at info@ozarke.com and one of our customer service reps will reach out to assist you.

Before you get started:

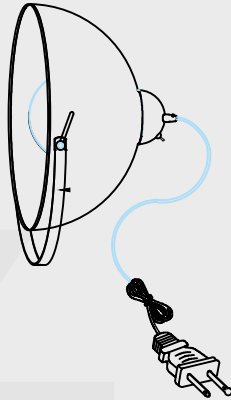
When working with electrical wiring, follow these safety instructions to prevent injury or damage:

1. Turn off the power: Before starting any work, turn off the power to the area you will be working in.
2. Use appropriate tools: Only use tools designed for electrical work and in good condition.
3. Wear protective gear: Wear safety glasses, gloves, and other protective gear as necessary.
4. Test for power: Use a non-contact voltage tester to check for electrical current before touching any wires.
5. Avoid wet conditions: Do not work with electrical wiring in wet or damp conditions.
6. Keep a safe distance: Stay away from exposed wires or electrical components.
7. Seek professional help: Consult a qualified electrician if you are unsure about any aspect of electrical wiring or encounter any problems.

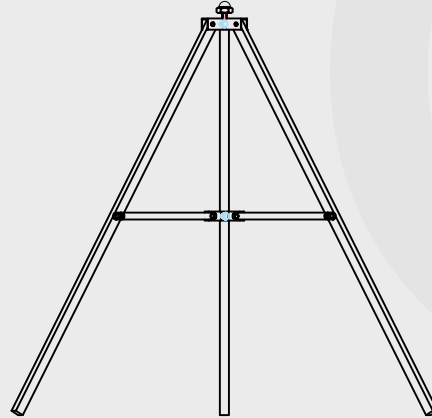
Installation Instructions

Accessories Schematic Diagram

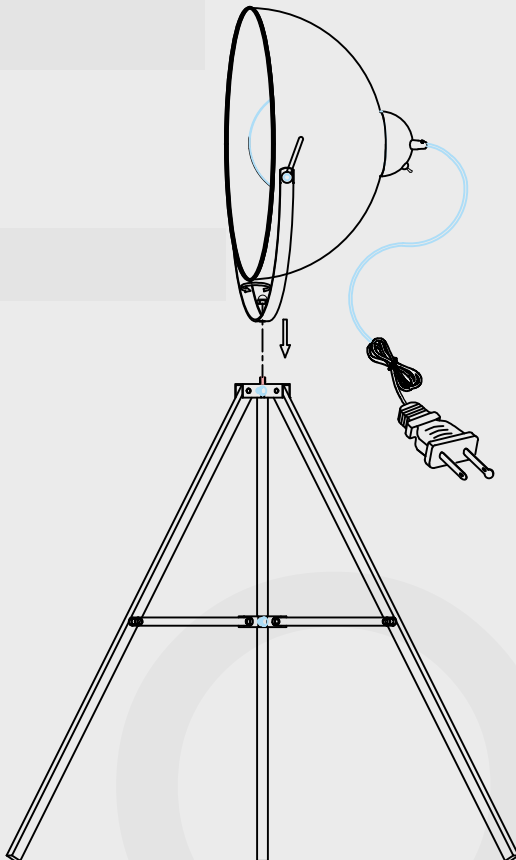
① Body part



① Bracket



Assembly Steps



1. Take off the hexagonal cap on the top of the bracket and set it aside.
2. As shown in the figure, place the lamp body on the tooth bar where the hexagonal cap was originally located. Fasten the lamp body on the bracket with the hexagonal cap that was removed.
3. Open the bracket and secure it with the screws provided by the bracket itself.
4. Insert the plug into the wall socket to connect to the power grid, then use the toggle switch to operate the light fixture. Adjust the light angle by shaking the semicircular lampshade.