

**OZARKÉ**

**INSTRUCTION MANUAL**

# OZARKÉ

Thank you for shopping with Ozarké, we really appreciate your business. Our goal is to provide an excellent customer service before, during and after delivery. We've included a guide on how to install this light, should you require additional assistance please feel free to email us at [info@ozarke.com](mailto:info@ozarke.com) and one of our customer service reps will reach out to assist you.

## Before you get started:

When working with electrical wiring, follow these safety instructions to prevent injury or damage:

1. Turn off the power: Before starting any work, turn off the power to the area you will be working in.
2. Use appropriate tools: Only use tools designed for electrical work and in good condition.
3. Wear protective gear: Wear safety glasses, gloves, and other protective gear as necessary.
4. Test for power: Use a non-contact voltage tester to check for electrical current before touching any wires.
5. Avoid wet conditions: Do not work with electrical wiring in wet or damp conditions.
6. Keep a safe distance: Stay away from exposed wires or electrical components.
7. Seek professional help: Consult a qualified electrician if you are unsure about any aspect of electrical wiring or encounter any problems.

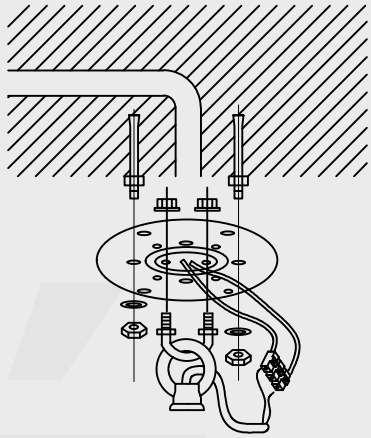


## WARNING!

1. Do not use the power supply beyond the specified range (100-240V,50Hz).
2. Avoid scratching the surface and wires of the lamp during installation.
3. Do not install the lamp outdoors.
4. The lamp should not be close to corrosive chemical objects or gases.  
It should not be washed with water. It can only be wiped with a clean soft cloth.

# Installation Instructions

*NOTE: After opening the packaging box, please carefully inspect the contents by comparing them to the included drawings. If anything is missing or unclear, kindly contact customer service promptly.*

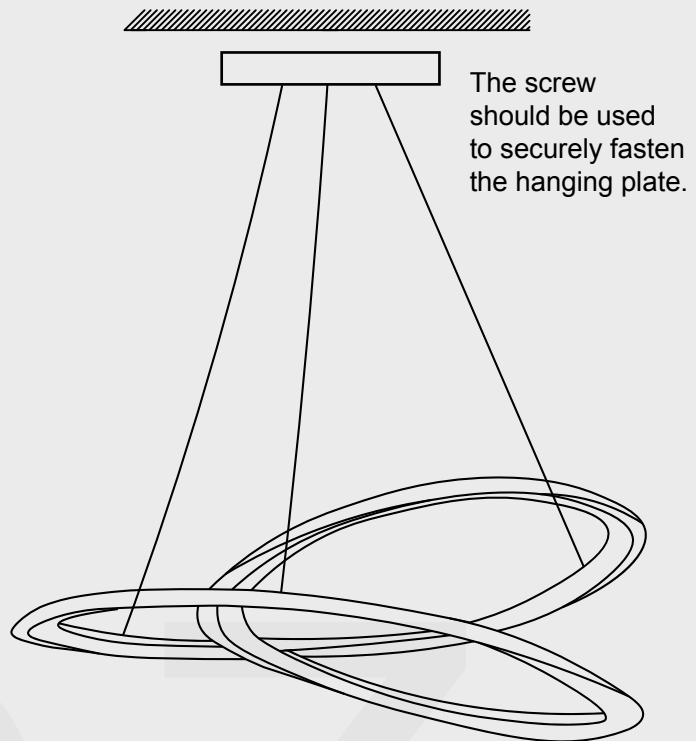


## INSTALLATION STEP 1:

1. Mark the position of the hanging plate hole on the top of the cement.
2. According to the size of the expansion screw, open a hole in the cement ceiling. Then, insert the expansion screw into the ceiling hole with the M6 threads exposed.
3. Remove the nut, attach the hanging plate to the expansion screw, place a gasket, and secure the hanging plate to the ceiling with the nut. Ensure that the connection between the hanging plate and the expansion screw is strong enough to support the weight of the lamp body.

## INSTALLATION STEP 2:

1. As shown in the image on the right, begin by installing the lamp parts.
2. For the wiring method, connect wires of the same color for each lamp head. Then, separately connect them to the zero and fire lines.
3. Exercise caution when handling the glass during installation, as it is fragile.
4. Once the lamp body is installed, ensure that it is securely locked onto the ceiling.
5. Remember to disconnect the power supply when installing or replacing the light source.



*Note: This instruction is for reference only. The actual products should be based on the physical objects.*