

OZARKÉ

INSTRUCTION MANUAL

OZARKÉ

ASSEMBLY INSTRUCTIONS

ASSEMBLY TIPS:

1. Simply remove the lamp from packaging.
2. Please check to see that all hardware and parts are present prior to start of assembly.
3. Please follow attached instructions in the same sequence as numbered to assure fast & easy assembly.

WARNING!



1. Don't attempt to repair or modify parts that are broken or defective. Please contact the store immediately
2. This product is for home use only and not intended for commercial establishments.

ASSEMBLY TIME

15 MINUTES

PARTS IDENTIFICATION

A SHORT POLE



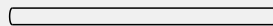
2PCS

B SHORT POLE WITH THREAD



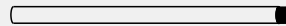
2PCS

C LONG POLE



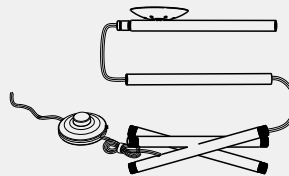
3PCS

D LONG POLE WITH THREAD



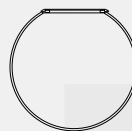
6PCS

E LAMP BODY



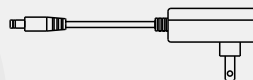
1PC

F GLASS SHADE



1PC

G LED DRIVER



1PC

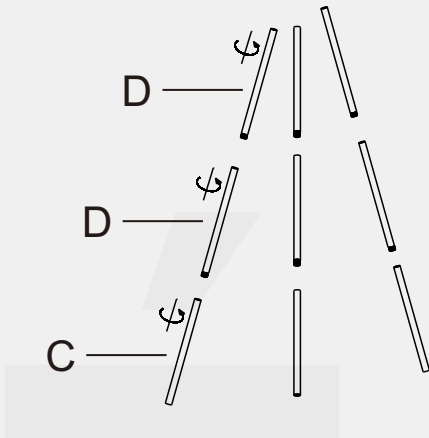
H CLIPS



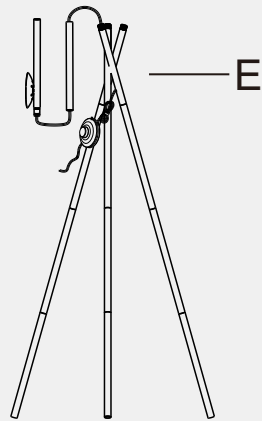
2PCS

OZARKÉ

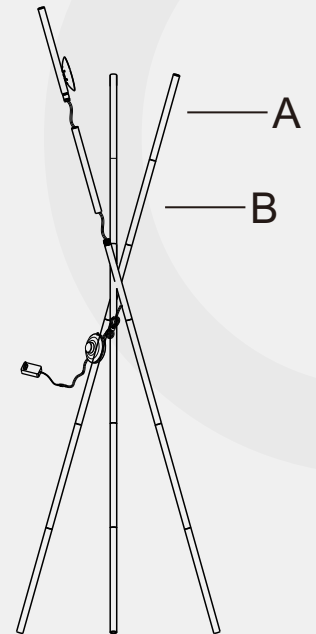
STEP1



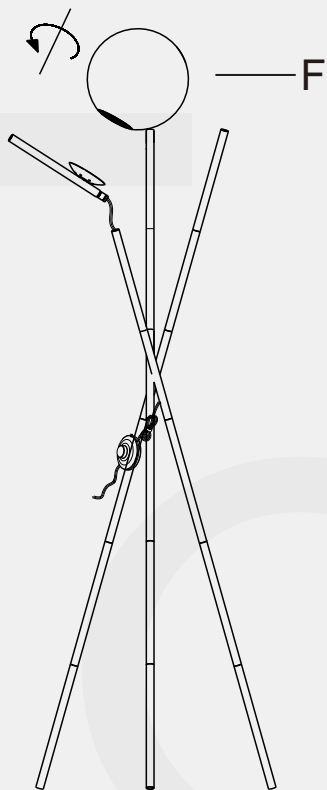
STEP2



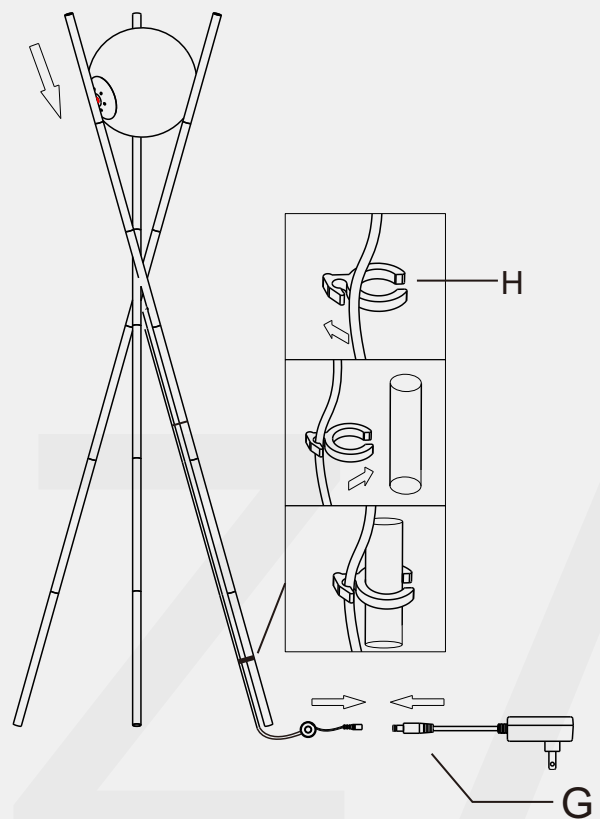
STEP3



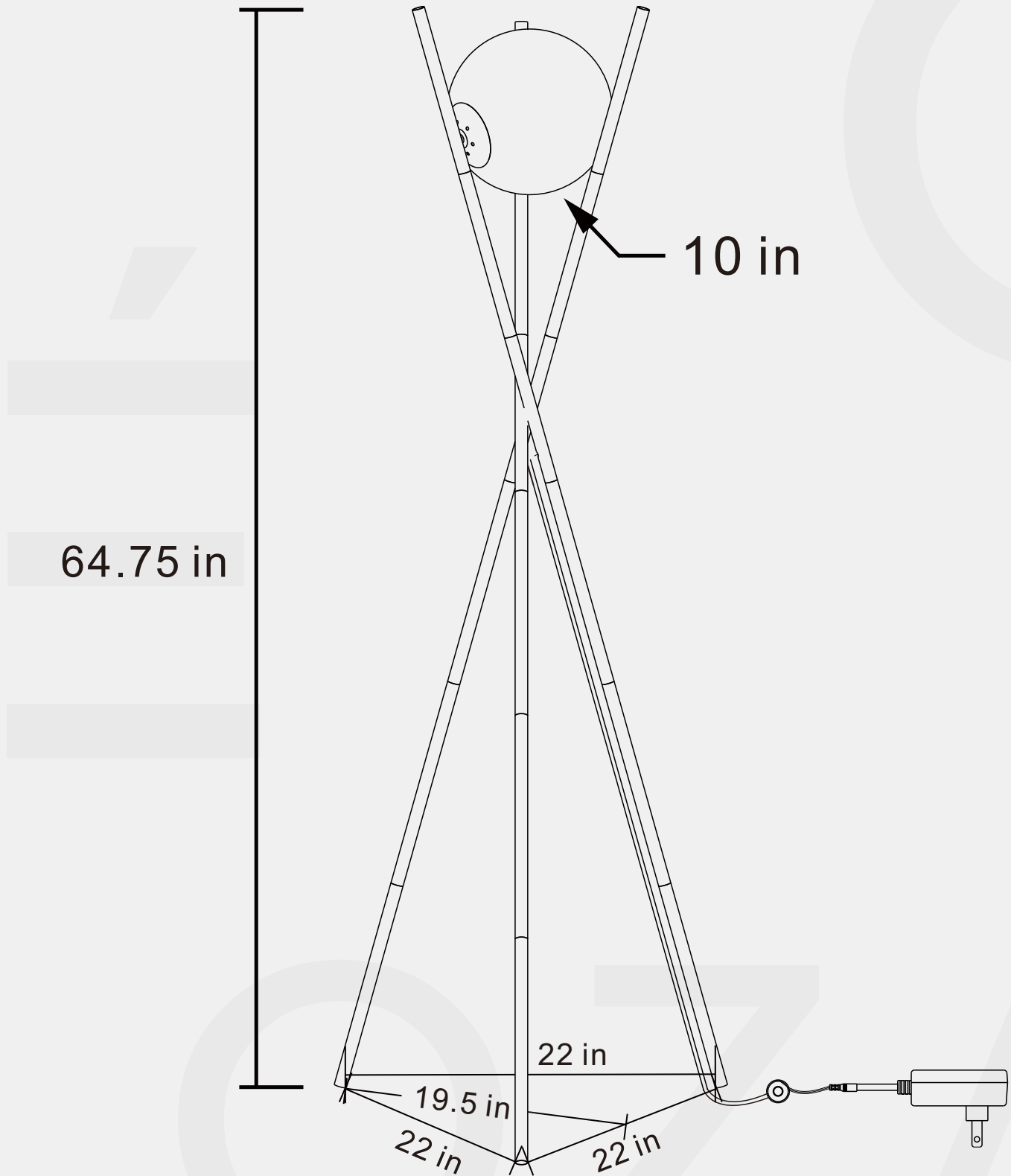
STEP3



STEP3



OZARKÉ



Note : Dimension tolerance $\pm 5\%$