

**OZARKÉ**

**INSTRUCTION MANUAL**

# OZARKÉ

Thank you for shopping with Ozarké, we really appreciate your business. Our goal is to provide an excellent customer service before, during and after delivery. We've included a guide on how to install this light, should you require additional assistance please feel free to email us at [info@ozarke.com](mailto:info@ozarke.com) and one of our customer service reps will reach out to assist you.

## **Before you get started:**

When working with electrical wiring, follow these safety instructions to prevent injury or damage:

1. Turn off the power: Before starting any work, turn off the power to the area you will be working in.
2. Use appropriate tools: Only use tools designed for electrical work and in good condition.
3. Wear protective gear: Wear safety glasses, gloves, and other protective gear as necessary.
4. Test for power: Use a non-contact voltage tester to check for electrical current before touching any wires.
5. Avoid wet conditions: Do not work with electrical wiring in wet or damp conditions.
6. Keep a safe distance: Stay away from exposed wires or electrical components.
7. Seek professional help: Consult a qualified electrician if you are unsure about any aspect of electrical wiring or encounter any problems.



## **WARNING!**

1. Do not use the power supply beyond the specified range (100-240V,50Hz).
2. Avoid scratching the surface and wires of the lamp during installation.
3. Do not install the lamp outdoors.
4. The lamp should not be close to corrosive chemical objects or gases.  
It should not be washed with water. It can only be wiped with a clean soft cloth.

# Installation Instructions

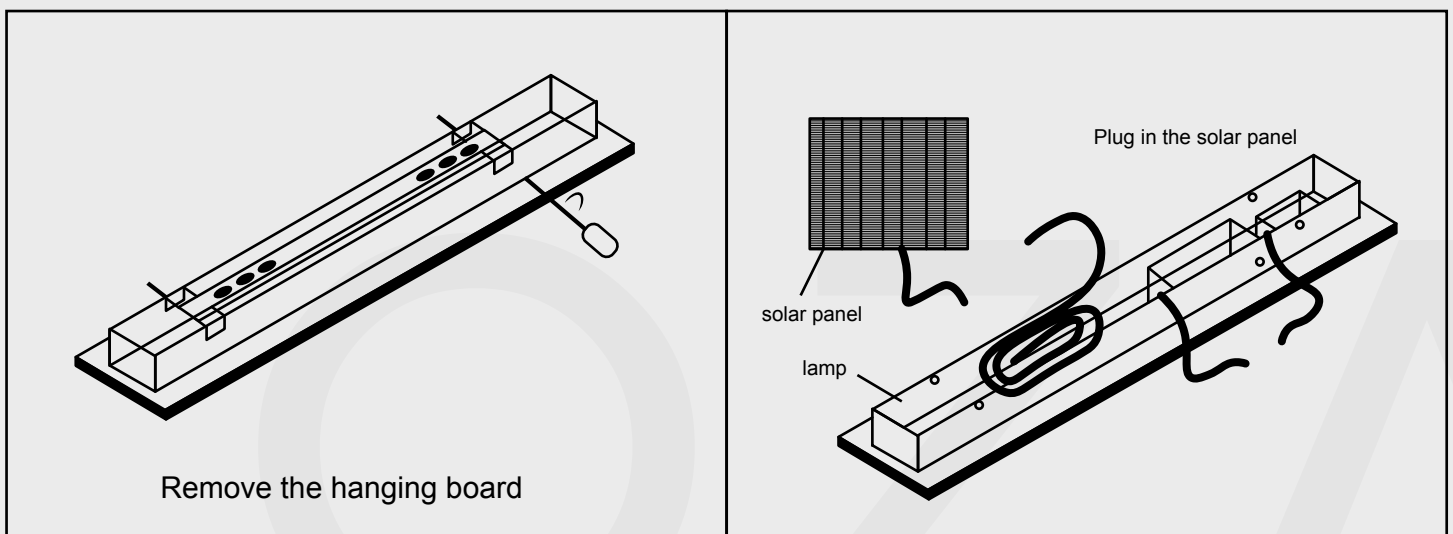
## Few things to note:

1. Professional electrician installation is required during the installation process.
2. Light fixtures should not be installed on unfinished or pine ceilings.
3. When replacing the light source, cut off the power supply.
4. Do not replace the light source when the power is on.
5. After turning on the light, do not touch the light source to prevent burns.
6. Do not use volatile, acidic, or alkaline cleaners to clean the lamp.

## Instructions

<b>1</b>	Remove the foam cover, place the lamp in a clean area, and then remove hanging board C (as shown in Figure 1) by unscrewing the screws with a screwdriver.
<b>2</b>	Plug in the power plug and the solar panel plug. Unplug the solar panel plug after 1 minute for a power test before the lamp's installation. Note: The lamps cannot be tested with the household rated voltage of 220V.
<b>3</b>	Place the removed hanging plate on the ceiling or wall where you intend to install the lamp. Draw the necessary lines, drill holes, install expansion screws, and secure the hanging plate. (Important: Ensure the expansion screws are firmly installed to avoid safety hazards.)
<b>4</b>	Align the lamp with the hanging plate, tighten the screws, and position the solar panel where it receives direct sunlight. Note: The lamp should still be turned off at this stage.
<b>5</b>	Plug the solar panel plug into the secondary socket (the lamp turns off and enters the charging state), and the installation is complete.

Tips: When the ambient light is low, the lights will automatically turn on.



# Installation Instructions

