

OZARKÉ

INSTRUCTION MANUAL

Installation Instructions

Tools and Materials You'll Need:

- 1 x Speaker Coffee-table
- 1 x Power Adapter
- 1 x Manual

Bluetooth:	Bluetooth 5.0
Speaker:	10W*2 THD= 1%
Audio response:	100HZ-18KHZ
Power adapter:	AC 100-240v DC 12v/1A
Built-in battery:	9000mAh (optional)
Charging time:	~4 hours
Battery life:	~10 hours (50% volume test data)
Wireless charging:	10W (optional)

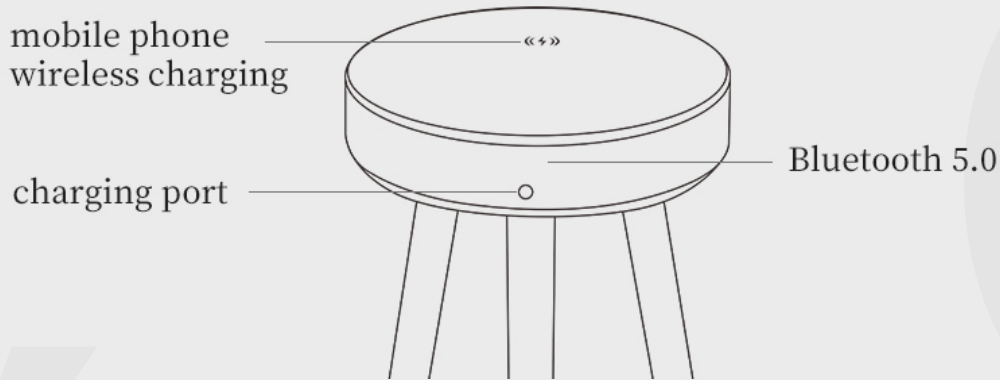
UNDERSTAND YOUR GEAR:

1. Power On: Gently press the power button; observe the indicator light illuminate.
2. Power Off: Gently press the power button; notice the indicator light extinguish.
3. Factory Reset: Effortlessly restore factory settings by lightly pressing the MOOE button to re-establish Bluetooth pairing.
4. Bluetooth Connection: Seamlessly connect to Bluetooth by enabling it automatically upon powering up.
5. Wireless Charging: Conveniently place your mobile phone on the designated area marked for wireless charging.

BLUETOOTH PAIRING:

1. Gently press the power button to turn on; Bluetooth will activate automatically, accompanied by a turn-on tone.
2. Activate Bluetooth on other devices, such as mobile phones, iPads, TVs, tablets, etc. Search for the name "YUN CUBE" and click to pair.
3. Input the pairing password: 1234 or 8888. When the device emits a connection prompt the Bluetooth pairing is successful.

Installation Instructions



PROBLEMS AND MAINTENANCE PROCEDURES:

1. Failure to Boot:
 - A. Connect the power adapter to verify power supply.
 - B. Press the power button; if the indicator light is on, the host is normal.
 - C. If the indicator light is off, check the power adapter for faults.
 - D. For assistance, contact the manufacturer for replacement parts. Unauthorized disassembly may result in personal responsibility for consequences.
2. Bluetooth Connectivity Issues:
 - A. Check for existing Bluetooth connections on this device.
 - B. Tap MOOE to restore factory settings.
 - C. Reinitiate a Bluetooth search for connections.
3. Battery Charging:
 - A. Utilize the original 12V/1-2A power adapter for charging.
 - B. Charging time is approximately 4 hours.
 - C. The unit will automatically exit the charging state when fully charged.
 - D. It can also be used while plugged in.
4. Wireless Charging:
 - A. Verify if the mobile phone supports wireless charging.
 - B. Place the mobile phone on the designated area for wireless charging.
5. Extended Non-Use:
 - A. Turn off the power and disconnect the power adapter if not in use for an extended period.
6. Disposal and Safety:
 - A. Avoid indiscriminate disposal of electronic products to prevent environmental damage.
 - B. Keep away from high temperatures and open flames to prevent burns, explosions, harm to people, and release of harmful gases.