

OZARKÉ

INSTRUCTION MANUAL

OZARKÉ

Thank you for shopping with Ozarké, we really appreciate your business. Our goal is to provide an excellent customer service before, during and after delivery. We've included a guide on how to install this light, should you require additional assistance please feel free to email us at info@ozarke.com and one of our customer service reps will reach out to assist you.

Before you get started:

When working with electrical wiring, follow these safety instructions to prevent injury or damage:

1. Turn off the power: Before starting any work, turn off the power to the area you will be working in.
2. Use appropriate tools: Only use tools designed for electrical work and in good condition.
3. Wear protective gear: Wear safety glasses, gloves, and other protective gear as necessary.
4. Test for power: Use a non-contact voltage tester to check for electrical current before touching any wires.
5. Avoid wet conditions: Do not work with electrical wiring in wet or damp conditions.
6. Keep a safe distance: Stay away from exposed wires or electrical components.
7. Seek professional help: Consult a qualified electrician if you are unsure about any aspect of electrical wiring or encounter any problems



WARNING!

1. Do not use the power supply beyond the specified range (100-240V,50Hz).
2. Avoid scratching the surface and wires of the lamp during installation.
3. Do not install the lamp outdoors.
4. The lamp should not be close to corrosive chemical objects or gases.
It should not be washed with water. It can only be wiped with a clean soft cloth.

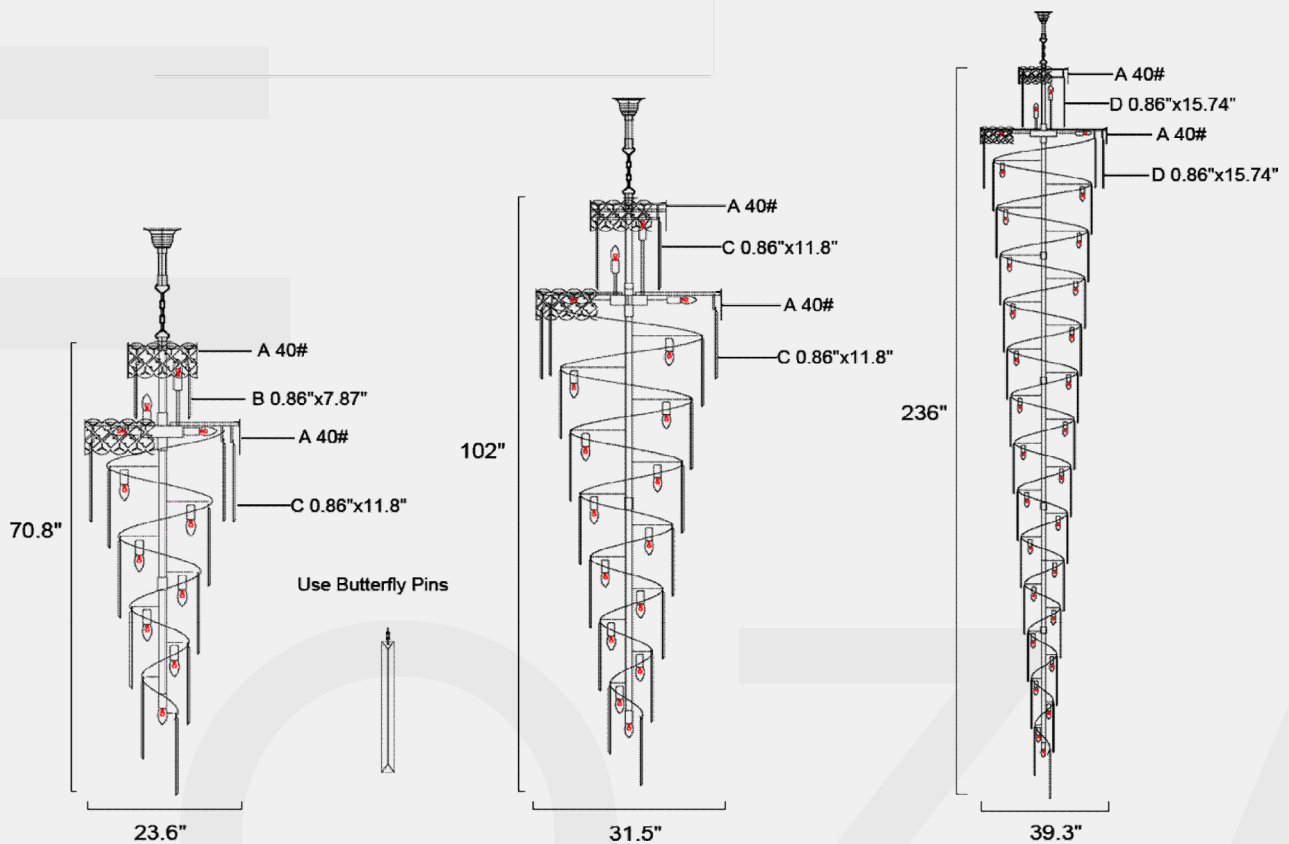
Assembly Inventory

Please check the assembly inventory. If you find anything missing, reach out to our customer service team.

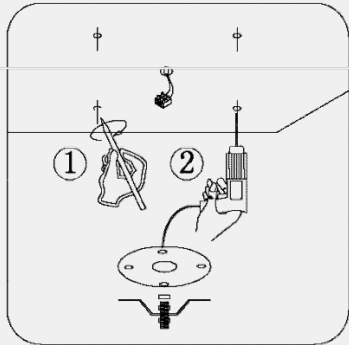
Dimensions	Number of bulbs	A Crystal Square Bead 40#	B Crystal 0.86"x7.87"	C Crystal 0.86"x11.8"	D Crystal 0.86"x15.74"	Butterfly Pins	Pins
Small (23.6"x70.8")	18pcs	80	21	182	0	203	160
Medium(31.5"x102")	34pcs	106	0	377	0	377	212
Large(39.3"x236")	60pcs	132	0	0	800	800	246

Tools Needed (not included):

- 1 x Screw Driver
- 1 x Electric Drill
- 2 x Gloves

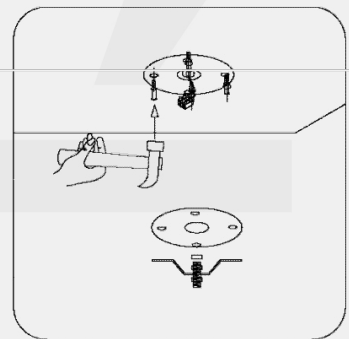


Installation Instructions



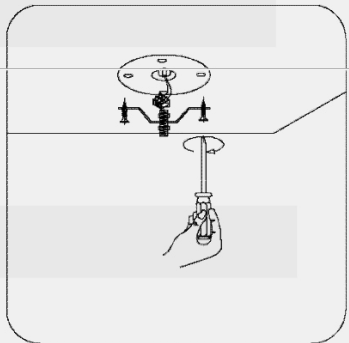
Step 1:

Use a pencil or a pen to mark the drilling position. You can use the hanging bracket to mark the position of the light. It is very important to ensure you account for the wiring position on your wall or ceiling.



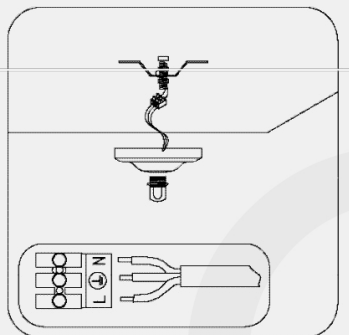
Step 2:

Using a drill, drill holes into the wall where you marked in step 1.



Step 3:

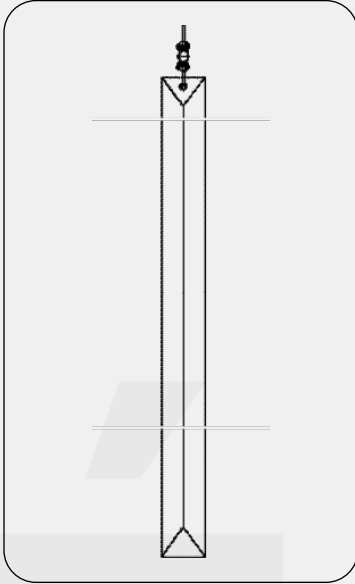
Insert drywall anchors into each hole. Don't damage or force the anchor in the hole. If the hole is small, try to make the hole(s) bigger.



Step 4:

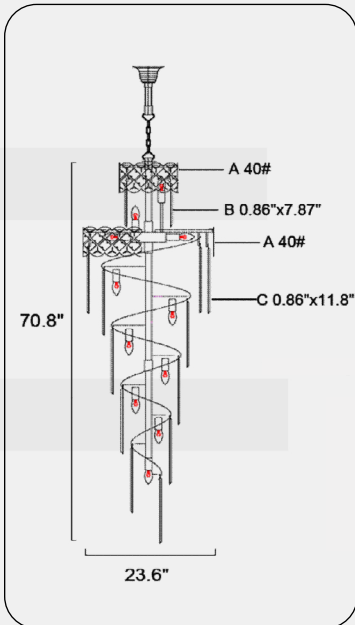
Screw the hanging bracket to the wall using a screw driver. Don't attach the lamp. Do not attach the lamp at this point; this step should be completed after wiring.

Installation Instructions



Step 5:

Pass the pin through the hole in the crystal, then bend the pin as shown in the image, then hang it in the hole of the lamp frame.

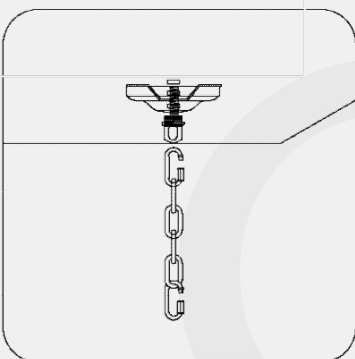


Step 6:

Hang the crystal rods as shown in image 1.1 (1st page), then finish assembling the lamp frame.

Black Wire: Live, **White wire:** Live, **Yellow wire:** Ground

Connect the lamp wires to the wall wires, and tuck inside the lamp or inside the wall



Step 7:

Attach the lamp body to the hanging board using the provided chain. Now you may turn your electrical power back on and test the lamp.