

OZARKÉ

INSTRUCTION MANUAL

OZARKÉ

Thank you for shopping with Ozarké, we really appreciate your business. Our goal is to provide excellent customer service before, during, and after delivery. We've included a guide on how to install these wall slats, should you require additional assistance please feel free to email us at info@ozarke.com, and one of our customer service reps will reach out to assist you.

Before you get started:

When setting up wall slats, it's crucial to follow safety instructions and heed warnings to ensure a safe and successful installation. Here are some safety instructions and warnings:

1. **Read the Manual:** Start by thoroughly reviewing the product manual and installation instructions provided by Ozarké. Familiarize yourself with the specific requirements and guidelines for your outdoor wall slats.
2. **Professional Installation:** While many customers choose to install outdoor wall slats themselves, we recommend considering professional installation, especially if your project involves complex installation or if you are uncertain about any aspect of the process.
3. **Check Local Regulations:** Ensure compliance with local building codes and regulations applicable to outdoor structures. These codes vary by location, so it's important to understand and follow them for safety and legal reasons.
4. **Use Appropriate Tools:** Use tools and equipment suitable for outdoor wall slats installation. Ensure your tools are in good working condition and designed for the installation tasks.
5. **Weather Considerations:** Pay attention to weather conditions during installation. Avoid working in inclement weather, as it can affect your safety and the quality of the installation. Proceed when conditions are favorable.
6. **Secure Mounting:** Make sure the wall slats are securely mounted to the outdoor surface. Follow the manufacturer's recommendations for mounting hardware and fasteners to prevent accidents or damage.
7. **Load Limits:** Be aware of the weight and load limits of the wall slats. Do not exceed these limits to prevent strain on the product or mounting system, which could compromise safety and longevity.
8. **Regular Maintenance:** Periodically inspect and maintain your outdoor wall slats. Check for loose connections, damage, or signs of wear, and address any issues promptly to maintain safety and product integrity.
9. **Children and Pets:** Be cautious of the safety of children and pets. Ensure that the wall slats are installed in a way that prevents accidents or injuries related to the product.
10. **Follow Manufacturer's Guidelines:** Adhere to the manufacturer's specific recommendations for your Ozarké outdoor wall slats product. This includes installation methods and maintenance instructions.



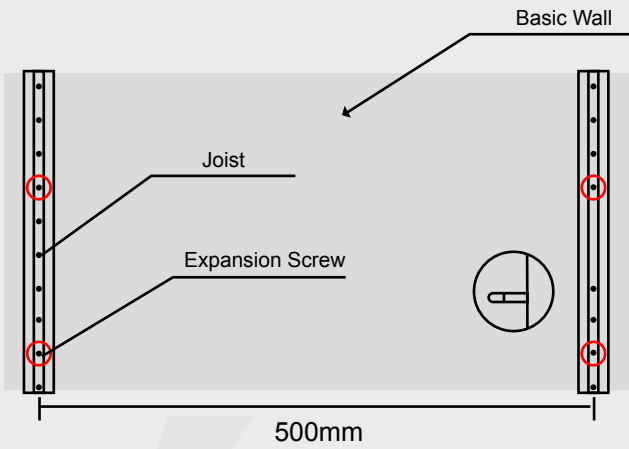
WARNING!

1. **Sharp Edges:** Be mindful of any sharp edges or protruding parts on the wall slats during installation and regular use.
2. **Take precautions to avoid cuts and injuries.**
3. **Wind Considerations:** Outdoor wall slats can act as wind sails. Ensure that they are properly anchored and that your installation can withstand strong winds. Unsecured or improperly anchored wall slats can become hazardous in windy conditions.
4. **Slip Hazards:** After rain or other wet conditions, be cautious of slippery surfaces on the wall slats. Avoid walking on or using them until they are dry to prevent slips and falls.
5. **Rust Prevention:** If your wall slats are made of metal, consider rust prevention measures, especially in areas with high humidity or exposure to moisture. Rust can weaken the structure over time.
6. **Overhead Clearance:** Pay attention to the overhead clearance when installing wall slats, particularly in areas with low-hanging branches or structures. Ensure that there's sufficient clearance to prevent accidents.

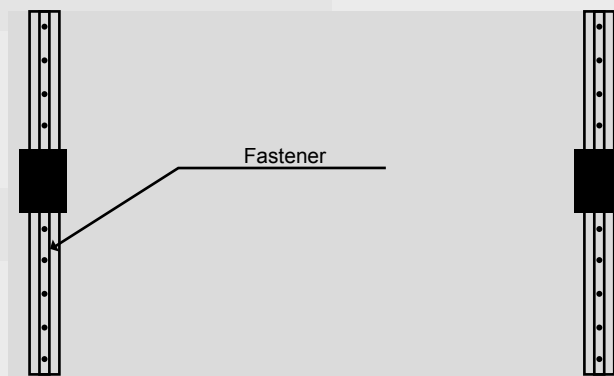
Installation Instructions

Note: This product offers the flexibility to be installed either vertically or horizontally.

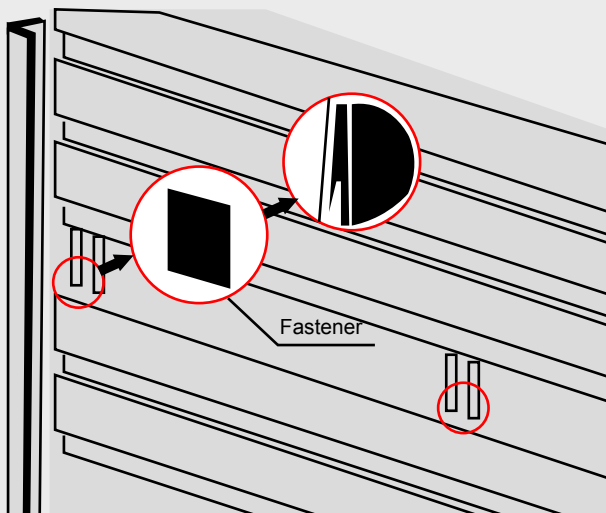
Guide 1



- 1 Fix the joist onto the wall with expansion screws. Make sure the joists are installed vertically.

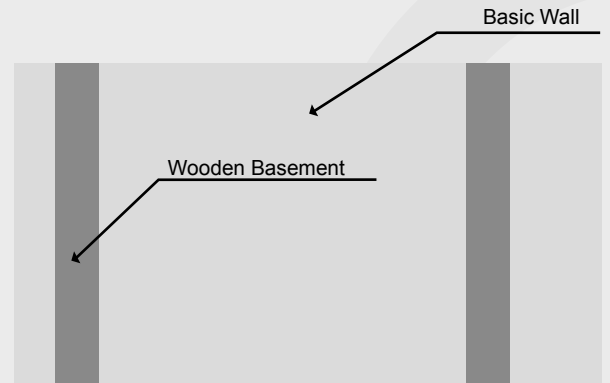


- 2 Install the screws/fasteners into the joist.

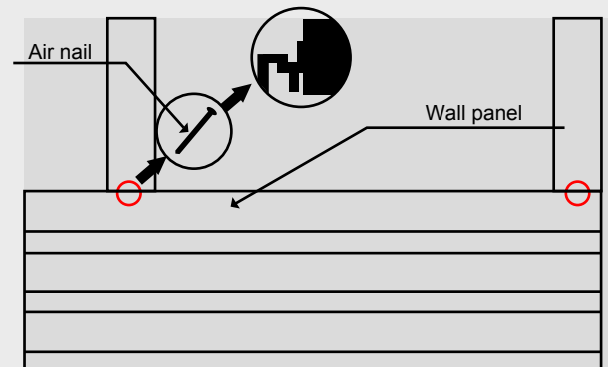


- 3 Secure the panel in place using clips. Then, repeat steps 2 and 3 until the work is completed.

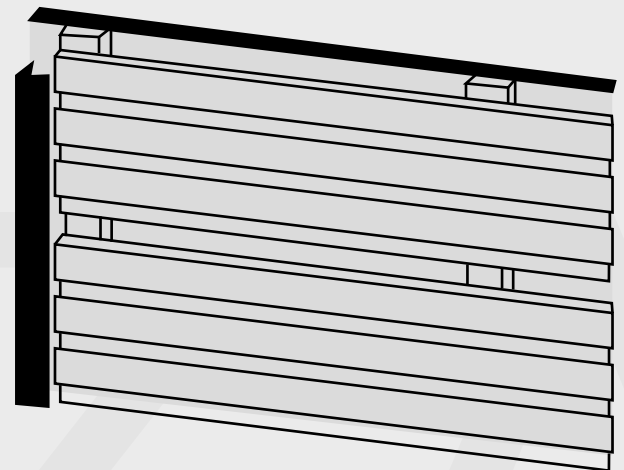
Guide 2



- 1 There is a wooden structure behind the panel.



- 2 There is a wooden structure behind the panel.



- 3 Lay the panel horizontally and then use the air nail gun for installation. Next, place another board on top and repeat the air nail gun installation.

Installation Instructions

Note: This product offers the flexibility to be installed either vertically or horizontally.

Installation Manual of AVID WPC's Wall Cladding

