

OZARKÉ

INSTRUCTION MANUAL

OZARKÉ

Thank you for shopping with Ozarké, we really appreciate your business. Our goal is to provide an excellent customer service before, during and after delivery. We've included a guide on how to install this light, should you require additional assistance please feel free to email us at info@ozarke.com and one of our customer service reps will reach out to assist you.

Before you get started:

Turn off electrical power to the fixture at the electrical panel. Use the appropriate voltage tester to ensure no power is present at the fixture before you begin work. Do not rely on a wall switch to protect you from electrical shock. Installation requires an experienced electrician.

Assembly Inventory:

Please check the assembly inventory. If you find anything missing reach out to our customer service team

- A- 1 x Crystal Ball
- B- 1 x Pendant Ring Body with wires attached
- C- 1 x LED Bulb
- D- 1 x Ring Bar
- E- 2 x Ring Bar Screw Caps
- F- 2 X Ring Body Screws
- G- 1 x Canopy
- H- 1 x Ceiling Bracket
- I- 2 x Silver Screws
- J- 2 x Dry Wall Anchors

Tools needed (not included):

- 1 x Screw Driver
- 1 x Electric Drill

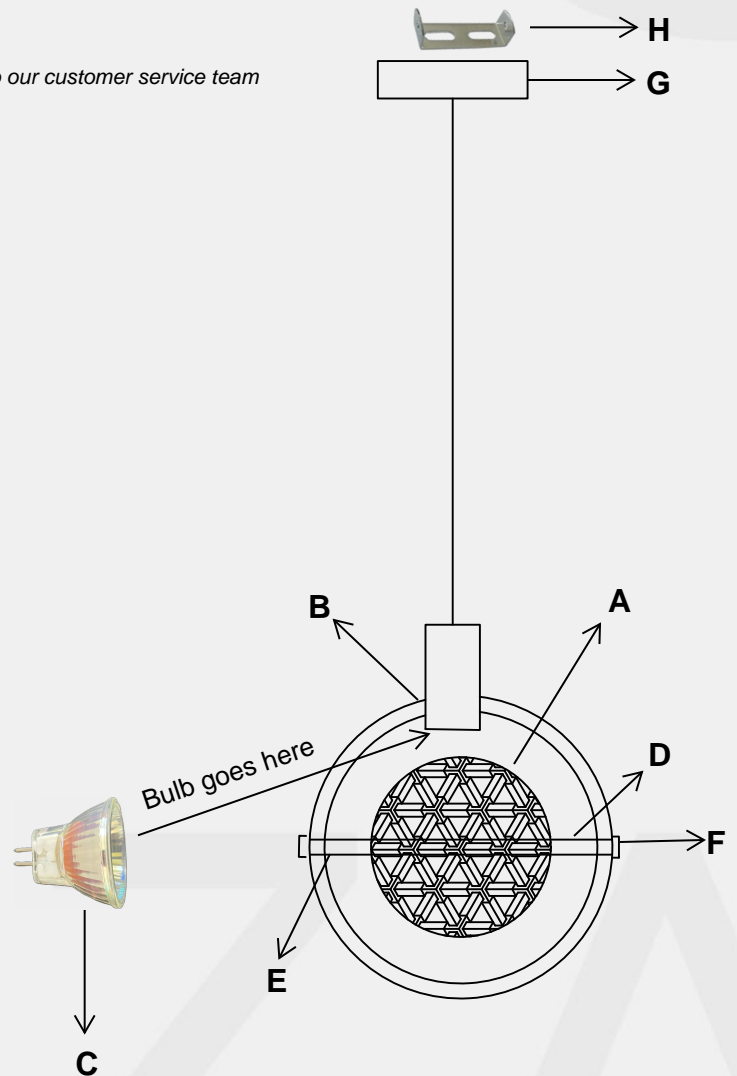


Image 1.1

Installation Instructions

Step 1:

Use a pencil or a pen to mark the drilling position. You can use the silver bracket (**H**) to mark the position of the light. It is very important to ensure you account for the wiring position on your wall or ceiling.

Step 2:

Using a drill, drill holes into the wall where you marked in step 1.

Step 3:

Insert drywall anchors (**J**) into each hole. Don't damage or force the anchor in the hole. If the hole is small, try to make the hole(s) bigger.

Step 4:

Screw the silver bracket (**H**) to the wall using a screw driver. Don't attach the canopy just yet. This step to be completed after wiring.

Step 5:

Insert the LED bulb (**C**) inside the top of the ring as shown in image 1.1, careful not to damage the bulb inserts, carefully insert the bulb inside the designated two small holes.

Step 6:

Insert the ring bar (**D**) inside the crystal ball (**A**). Add the ring bar screw caps (**E**) on each side to secure the bar to the ball.

Step 7:

Attach the ring ball to the ring using ring body screws (**F**).

Step 8:

Insert the lamp wire through the canopy (**G**). Adjust the wire to the desired length using the canopy screw

Red Wire: Live, **Blue wire:** Neutral, **Yellow wire:** Ground

Connect the lamp wires to the ceiling wires, and tuck inside the lamp or inside the ceiling.

Step 9:

Attach the wall lamp to the silver bracket using the provided screws.

Now you may turn your electrical power back on and test the lamp.