

**OZARKÉ**

**INSTRUCTION MANUAL**

# OZARKÉ

## ASSEMBLY INSTRUCTIONS

### ASSEMBLY TIPS:

1. Simply remove the lamp from packaging.
2. Please check to see that all hardware and parts are present prior to start of assembly.
3. Please follow attached instructions in the same sequence as numbered to assure fast & easy assembly.

### WARNING!



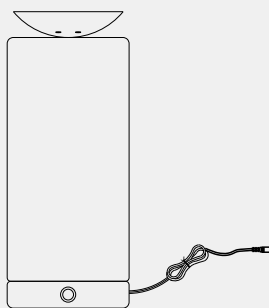
1. Don't attempt to repair or modify parts that are broken or defective. Please contact the store immediately
2. This product is for home use only and not intended for commercial establishments.

**ASSEMBLY TIME**

**5 MINUTES**

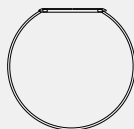
## PARTS IDENTIFICATION

**A LAMP BODY**



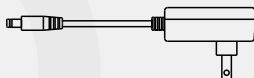
**1PC**

**B GLASS SHADE**



**1PC**

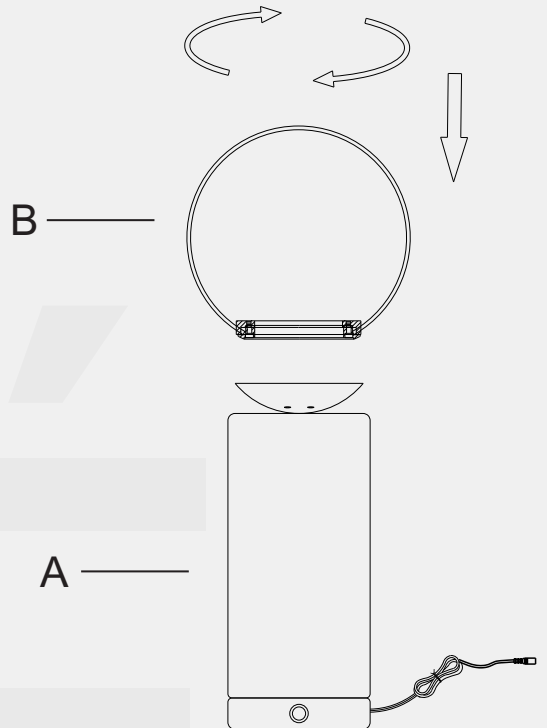
**C LED DRIVER**



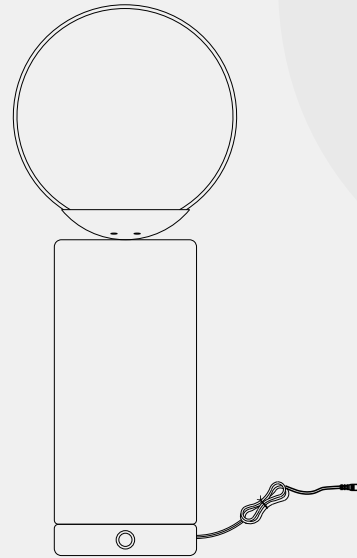
**1PC**

# OZARKE

## STEP1

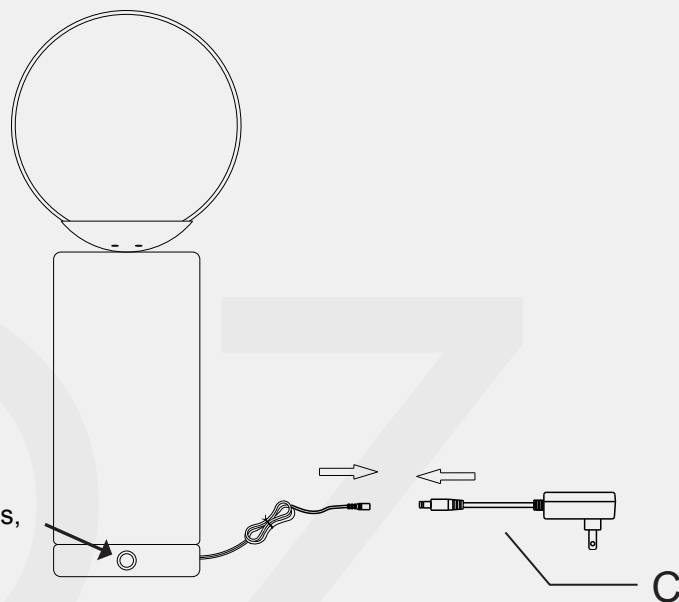


## STEP2

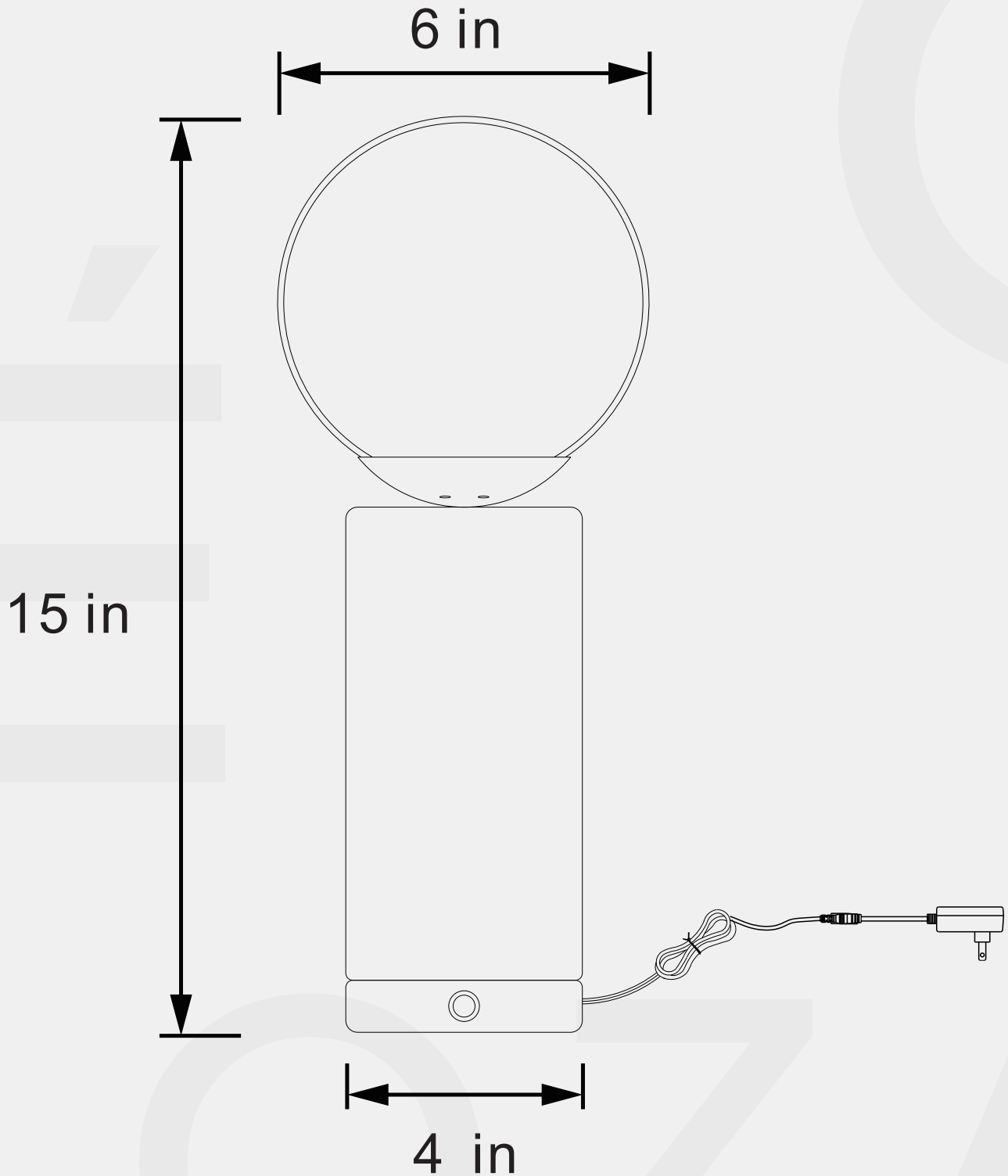


## STEP3

Briefly touch the button to change the temperature or color. To adjust brightness, touch and hold the button.



# OZARKE



Note : Dimension tolerance  $\pm 5\%$