

OZARKÉ

INSTRUCTION MANUAL

OZARKÉ

Thank you for shopping with Ozarké, we really appreciate your business. Our goal is to provide an excellent customer service before, during and after delivery. We've included a guide on how to install this light, should you require additional assistance please feel free to email us at info@ozarke.com and one of our customer service reps will reach out to assist you.

Before you get started:

When working with electrical wiring, follow these safety instructions to prevent injury or damage:

1. Turn off the power: Before starting any work, turn off the power to the area you will be working in.
2. Use appropriate tools: Only use tools designed for electrical work and in good condition.
3. Wear protective gear: Wear safety glasses, gloves, and other protective gear as necessary.
4. Test for power: Use a non-contact voltage tester to check for electrical current before touching any wires.
5. Avoid wet conditions: Do not work with electrical wiring in wet or damp conditions.
6. Keep a safe distance: Stay away from exposed wires or electrical components.
7. Seek professional help: Consult a qualified electrician if you are unsure about any aspect of electrical wiring or encounter any problems.

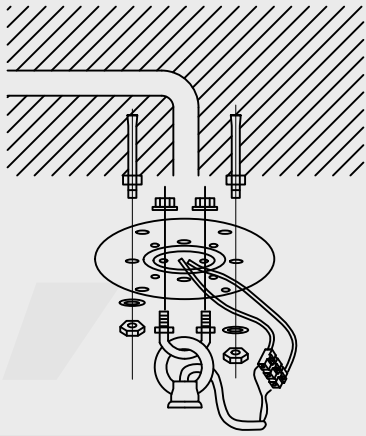


WARNING!

1. Do not use the power supply beyond the specified range (100-240V,50Hz).
2. Avoid scratching the surface and wires of the lamp during installation.
3. Do not install the lamp outdoors.
4. The lamp should not be close to corrosive chemical objects or gases.
It should not be washed with water. It can only be wiped with a clean soft cloth.

Installation Instructions

NOTE: After opening the packing box, please carefully inspect the parts inside by comparing them to the provided drawings. If there are any discrepancies, please contact customer service promptly.

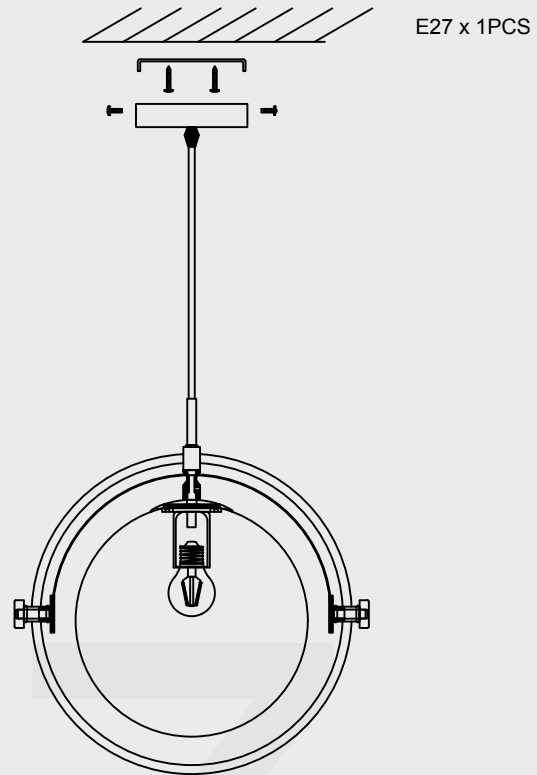


INSTALLATION STEP 1:

1. Mark the position of the hanging plate hole on top of the cement.
2. Based on the size of the expansion screw, create a hole in the cement ceiling, then insert the expansion screw into the ceiling hole with the M6 threads exposed.
3. Remove the nut, secure the hanging plate onto the expansion screw, place the gasket, and then fasten the hanging plate to the ceiling with the nut. This ensures a strong connection between the hanging plate and the expansion screw to support the weight of the lamp body.

INSTALLATION STEP 2:

1. As shown in the right figure, install the light components first.
2. As shown in the figure on the right, first install the wiring method of each light part. Connect the wires with the same color of each lamp head, and then connect them with the neutral wire respectively.
3. After the lamp body is installed, check whether it is securely locked onto the ceiling.
4. Cut off the power supply when installing or replacing the light source.



Note: This instruction is for reference only. The actual products should be based on the physical objects.