

OZARKÉ

INSTRUCTION MANUAL

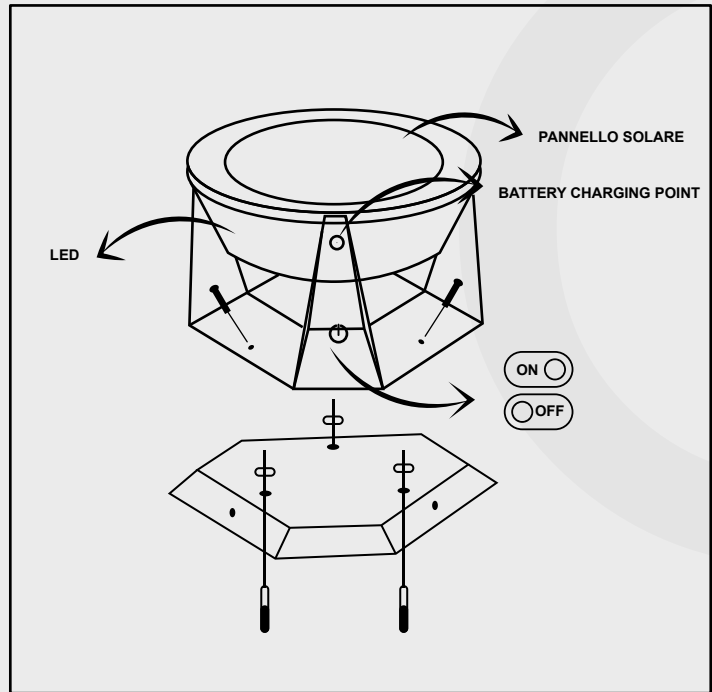
Installation Instructions

This versatile lamp offers both solar and rechargeable capabilities. To charge it efficiently, plug it in via USB for 5 hours (please note that it won't illuminate during charging).

At night, the lamp will automatically light up, but it's equipped with a light sensor, so if placed in an overly bright area, it may not activate.

The lamp features a switch on the bottom. When you first use it, be sure to turn it on.

To check whether the lamp is operational and to toggle the switch, follow these steps (for testing during the day):



1	Charge the lamp with USB for several hours.
2	Unplug the wires and cover the lamp panel with a book, T-shirt, or any other object.
3	Attempt to switch it on at the bottom; it will illuminate.
4	Remove the cover, and it won't light up.

When testing the lamp at night, there's no need to cover the panel because the light sensor ensures it only activates in low-light conditions.

If you plan to leave home for an extended period and don't want the lamp to illuminate, you can simply turn the switch off. When you return, remember to switch it back on.

For those using the lamp primarily for camping or parties, you can charge it or place it outside during the day to harness solar energy. Keep in mind that extended periods without sunlight and neglecting to charge it will cause it to stop functioning.