

OZARKÉ

**INSTRUCTION MANUAL**

# OZARKÉ

## ASSEMBLY INSTRUCTIONS

### ASSEMBLY TIPS:

1. Simply remove the lamp from packaging.
2. Please check to see that all hardware and parts are present prior to start of assembly.
3. Please follow attached instructions in the same sequence as numbered to assure fast & easy assembly.

### WARNING!



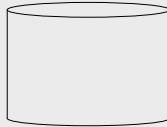
1. Don't attempt to repair or modify parts that are broken or defective. Please contact the store immediately
2. This product is for home use only and not intended for commercial establishments.

**ASSEMBLY TIME**

**5 MINUTES**

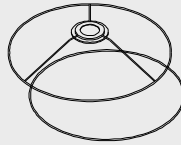
## PARTS IDENTIFICATION

A LAMP SHADE



1PC

B SHADE FRAME



1PC

C SOCKET RING



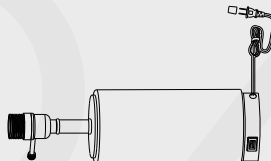
1PC

D LIGHT BULB



1PC

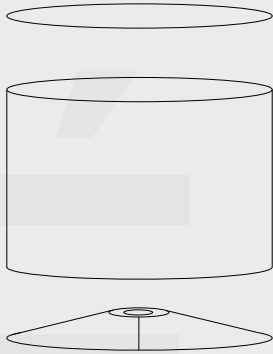
E LAMP BODY



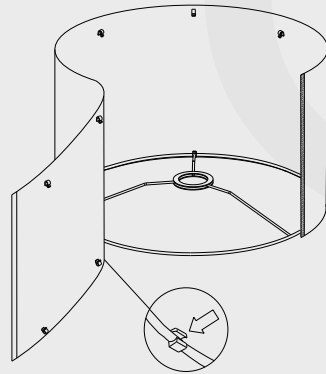
1PC

# OZARKE

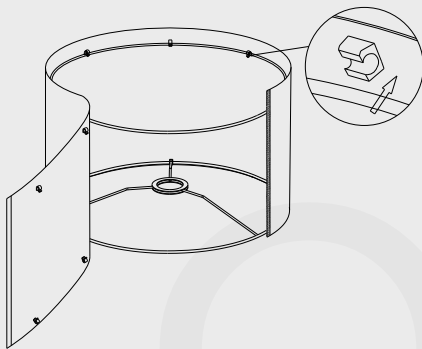
## STEP1



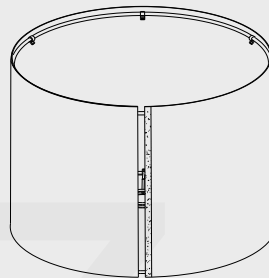
## STEP2



## STEP3

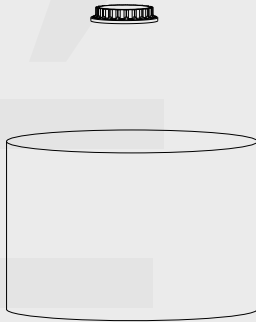


## STEP4

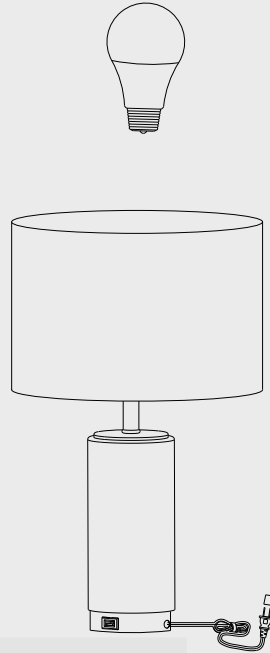


# OZARKÉ

**STEP5**



**STEP6**



# OZARKE

