

OZARKÉ

INSTRUCTION MANUAL

OZARKÉ

ASSEMBLY INSTRUCTIONS

ASSEMBLY TIPS:

1. Simply remove the lamp from packaging.
2. Please check to see that all hardware and parts are present prior to start of assembly.
3. Please follow attached instructions in the same sequence as numbered to assure fast & easy assembly.

WARNING!



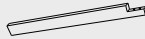
1. Don't attempt to repair or modify parts that are broken or defective. Please contact the store immediately
2. This product is for home use only and not intended for commercial establishments.

ASSEMBLY TIME

15 MINUTES

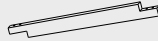
PARTS IDENTIFICATION

1 LAMP BODY(A1,B1,C1)



3PCS

2 LAMP BODY(A2,B2,C2)



3PCS

3 LAMP BODY(A3,B3,C3)



3PCS

A SCREWS



12PCS

B INNER HEXAGON SCREW



6PCS

C INNER HEXAGON SCREW CUP

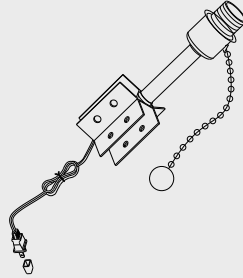


6PCS

OZARKE

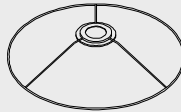
PARTS IDENTIFICATION

D LAMP HOLDER



1PC

E BOTTOM SHADE FRAME



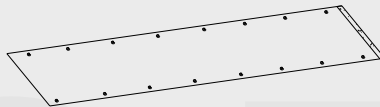
1PC

F TOP SHADE FRAME



1PC

G FABRIC SHADE



1PC

H SOCKET RING



1PC

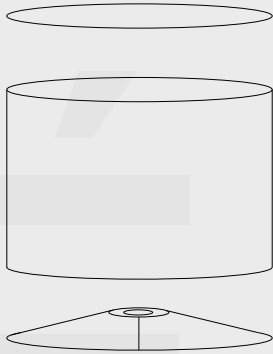
I ALLEN KEY



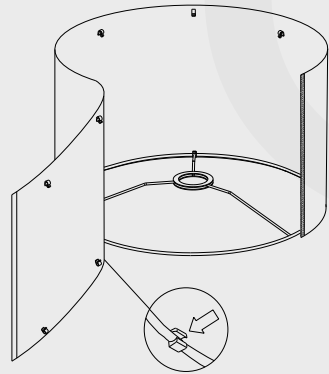
2PCS

OZARKE

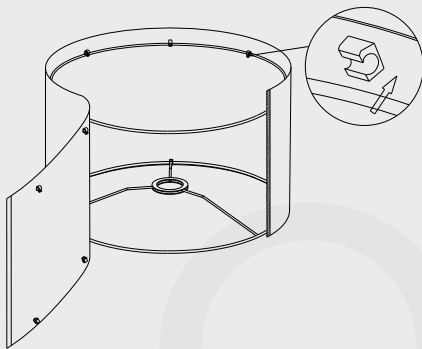
STEP 1



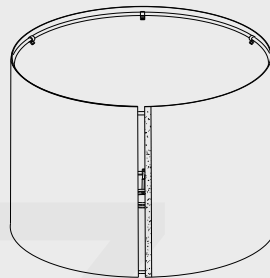
STEP 2



STEP 3



STEP 4

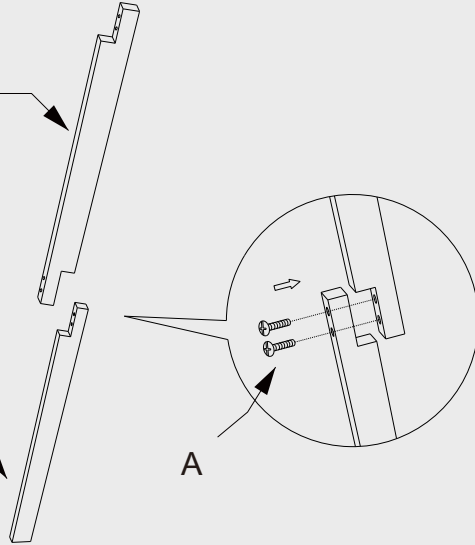


OZARKE

STEP5

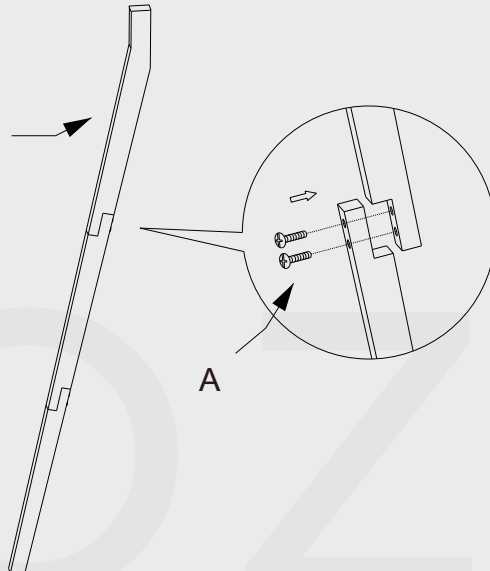
(A2,B2,C2)

(A1,B1,C1)



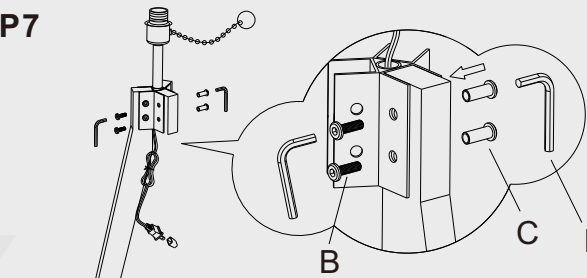
STEP6

(A3,B3,C3)

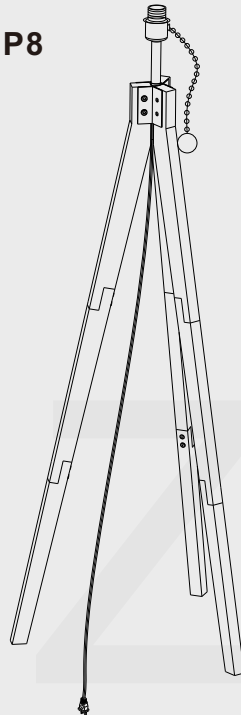


OZARKE

STEP 7

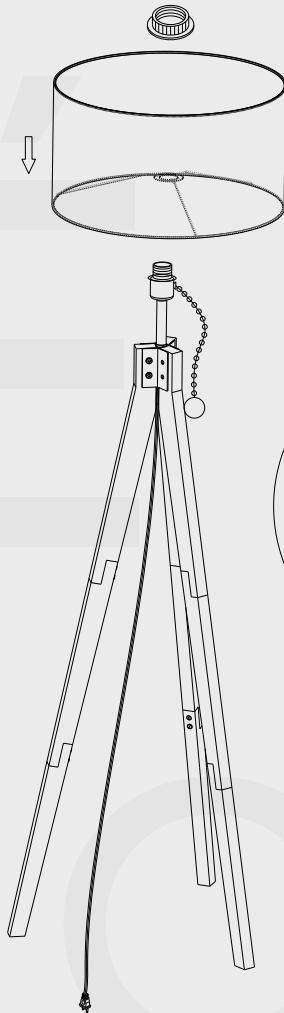


STEP 8

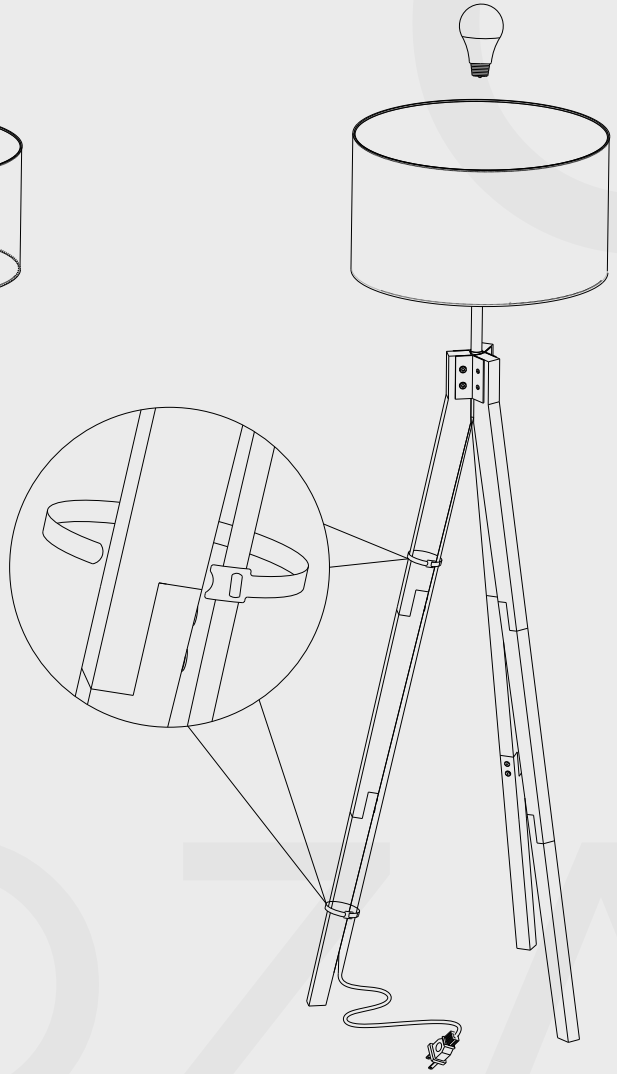


OZARKE

STEP9



STEP10



OZARKE

