

OZARKÉ

INSTRUCTION MANUAL

OZARKÉ

Thank you for shopping with Ozarké, we really appreciate your business. Our goal is to provide an excellent customer service before, during and after delivery. We've included a guide on how to install this light, should you require additional assistance please feel free to email us at info@ozarke.com and one of our customer service reps will reach out to assist you.

Before you get started:

Turn off electrical power to the fixture at the electrical panel. Use the appropriate voltage tester to ensure no power is present at the fixture before you begin work. Do not rely on a wall switch to protect you from electrical shock. Installation requires an experienced electrician.

Assembly Inventory:

Please check the assembly inventory. If you find anything missing reach out to our customer service team

A- 1 x LED Light assembled (see image 1.1)

Includes light bar, wires

B- 1 x Wall Bracket (see image 2.1)

D- 4 x Regular Screws(silver or black color)

E- 4 x Plastic Drywall Anchor

Tools needed (not included):

1 x Screw Driver

1 x Electric Drill

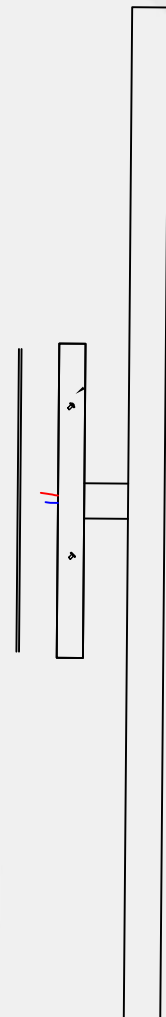


Image 1.1



Image 2.1

Installation Instructions

Step 1:

Use a pencil or a pen to mark the drilling position. You can use the silver bracket to mark the position of the light. It is very important to ensure you account for the wiring position on your wall or ceiling.

Step 2:

Using a drill, drill holes into the wall where you marked in step 1.

Step 3:

Insert drywall anchors into each hole. Don't damage or force the anchor in the hole. If the hole is small, try to make the hole(s) bigger.

Step 4:

Screw the silver bracket to the wall using a screw driver. Don't attach the lamp. This step to be completed after wiring.

Now that you have setup the position of the lamp, it is time to wire the lamp.

Step 5: (skip this step if you ordered the plug-in version)

Red Wire: Live, **Blue wire:** Neutral, **Yellow wire:** Ground

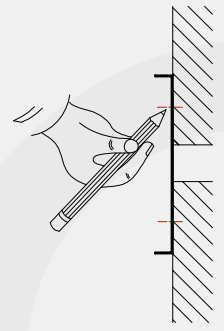
Connect the lamp wires to the wall wires, and tuck inside the lamp or inside the wall.

Step 7:

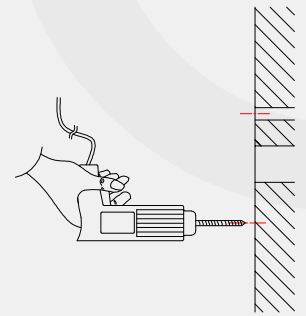
Attach the wall lamp to the silver bracket using the provided screws.

Now you may turn your electrical power back on and test the lamp.

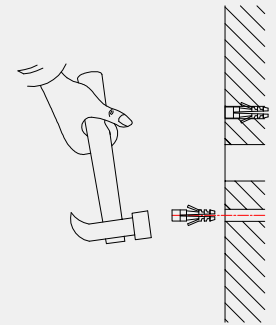
Step 1



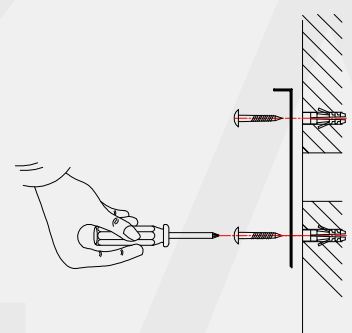
Step 2



Step 3

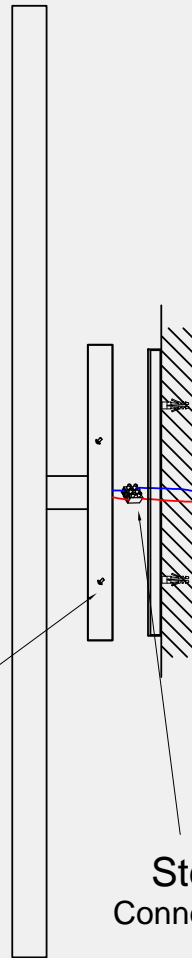


Step 4



Step 6

Step 5
Connect wires



Remote Control Instructions

Please note the remote control comes with the dimmable version only

1- Please Install two AAA batteries. Once you have installed the batteries, point the remote at the light fixture and press the "On" button the light will come on. The remote should connect automatically once the batteries are installed (If the remote does not connect see step 2)

2- To connect the remote to the lamp, it must be done within the first 5 seconds after you power the fixture on, press the "Connect" button until the fixture flashes.

3- Once the light is on, use the "+" and "-" buttons on the remote to adjust the brightness. Pressing "+" will increase the brightness, while "-" will decrease it.

4- Once the light is on, use the "k+" and "k-" buttons on the remote to adjust the color temperature. Pressing "k+" will increase the temperature while "k-" will decrease it. Increasing the temperature will make the emitting color warm and decreasing the temperature will make the emitting color cold.

Helpful information:

The bottom 5 buttons represent the following:

- 1- Adjust brightness
- 2- Dims the light
- 3- Warm white (4000K) option
- 4- Warm (3000K) option
- 5- Cold White (6000K) option

