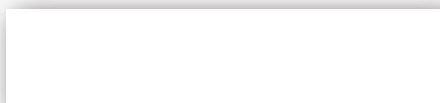




OZARKÉ

Floor Lamp Assembly Instructions



OZARKÉ

ASSEMBLY INSTRUCTIONS

ASSEMBLY TIPS:

1. Simply remove the lamp from packaging.
2. Please check to see that all hardware and parts are present prior to start of assembly.
3. Please follow attached instructions in the same sequence as numbered to assure fast & easy assembly.

WARNING!



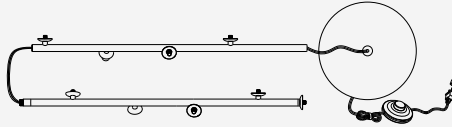
1. Don't attempt to repair or modify parts that are broken or defective. Please contact the store immediately
2. This product is for home use only and not intended for commercial establishments.

ASSEMBLY TIME

15 MINUTES

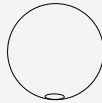
PARTS IDENTIFICATION

A LAMP BODY



1PC

B GLASS SHADE



9PCS

C LIGHT BULB



9PCS

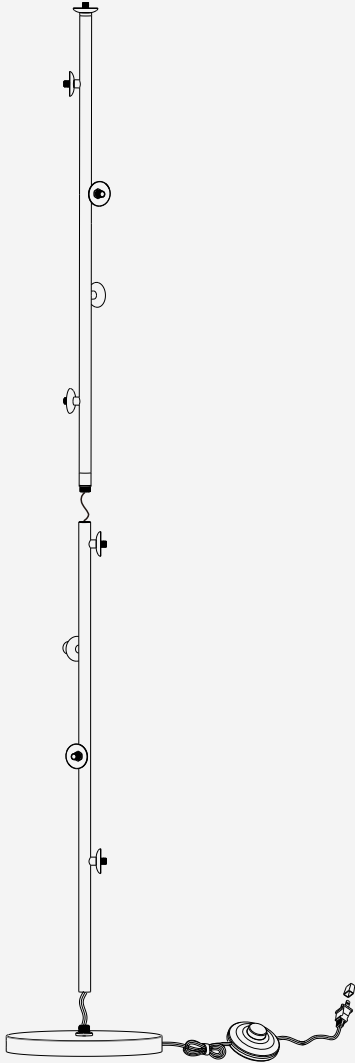
C DENTING PAD



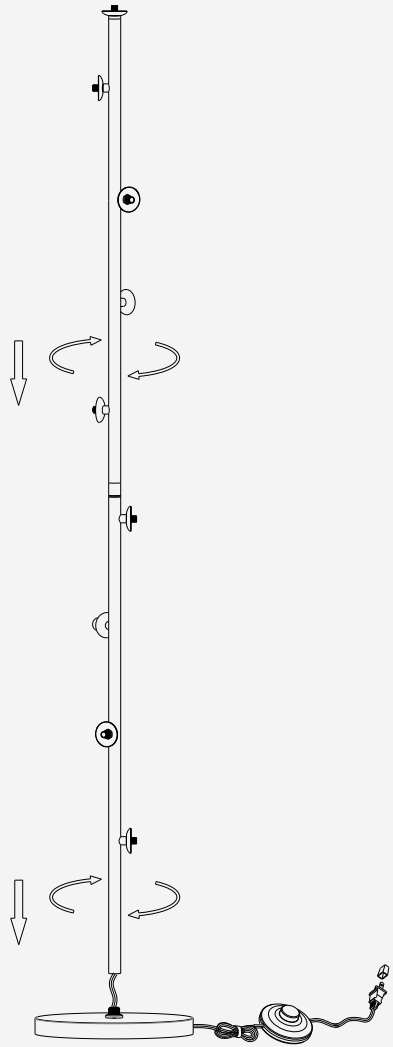
1PC

OZARKE

STEP1

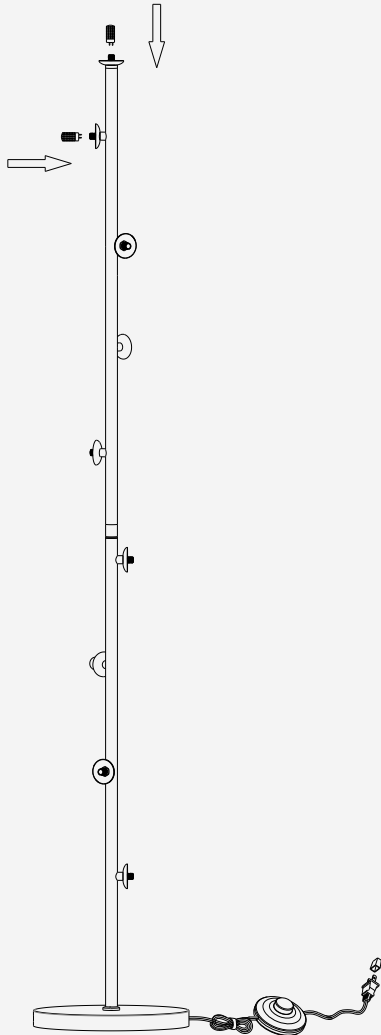


STEP2

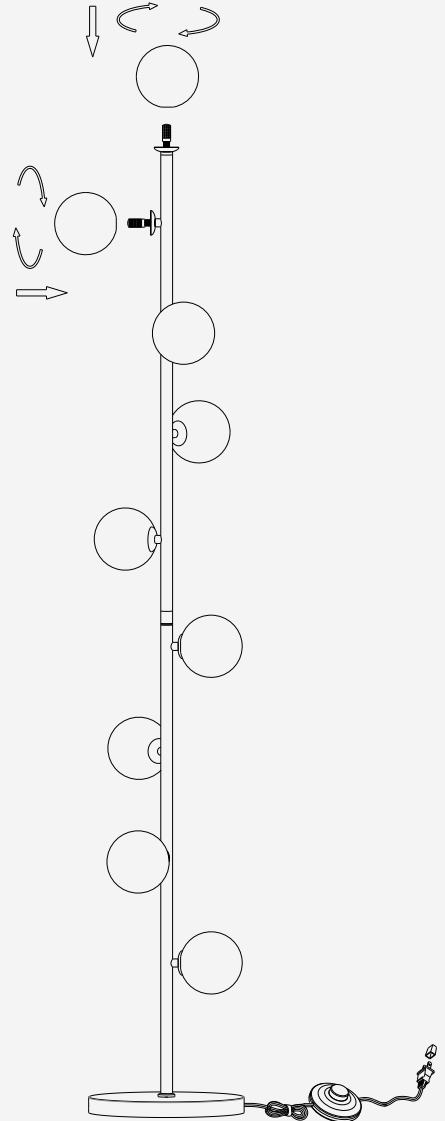


OZARKE

STEP3

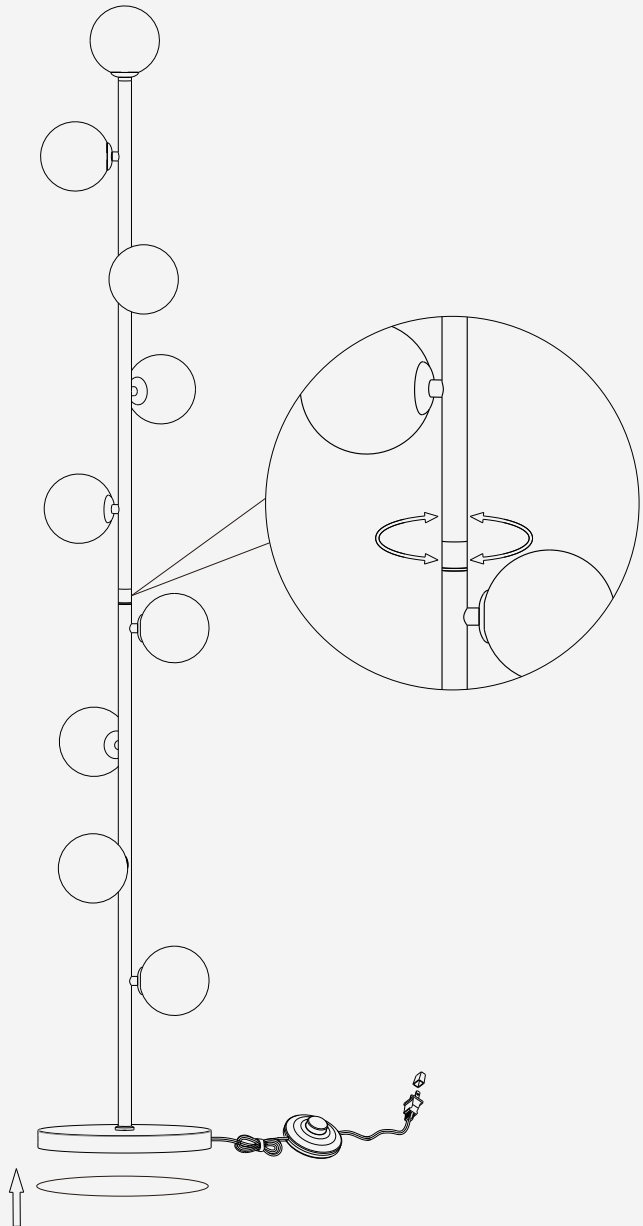


STEP4



OZARKE

STEP 5



OZARKE

