

ASSEMBLY GUIDE

Recess Mirror

In this box you will find:
1×Mirror 2×Wall screws

Necessary Tools: Screwdriver, Drill, Leveler



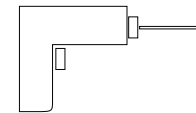
2×SCREWS



LEVELER



SCREWDRIVER

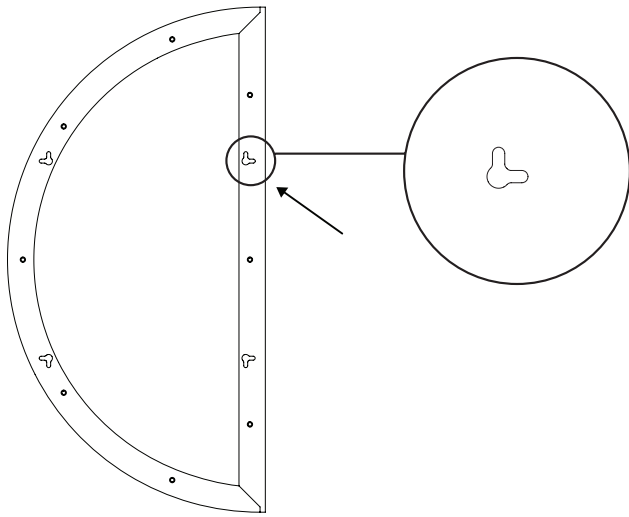


DRILL

RECESS MIRROR

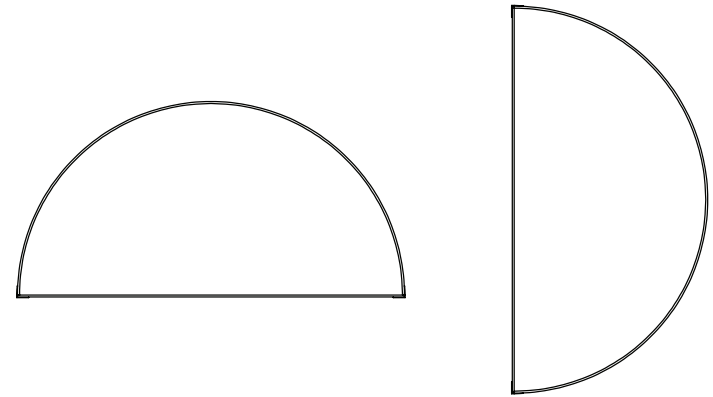
Start by placing the mirror on the wall.
Use the Leveler to make sure the mirror is mounted in a straight angle.
Place the Screws on the wall.
Make sure to use the right wall anchors proper for your wall.

1. Detail of Recess Mirror's keyhole



1.

3. Note that you can place the mirror both horizontally or vertically



2.