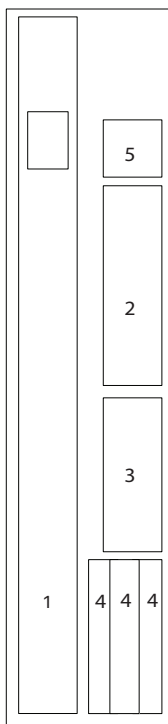


# ASSEMBLY GUIDE

## Daybed

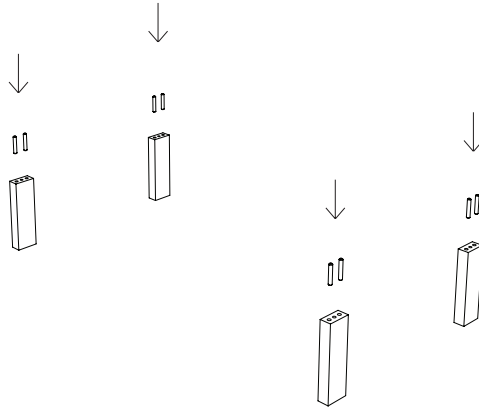
In this box you will find:

4× Legs, 2× Horizontal cross support, 2× Bed support frames, 18× Bed supports,  
4× Screws, 8× Wooden dowels, 1× Umbraco tool

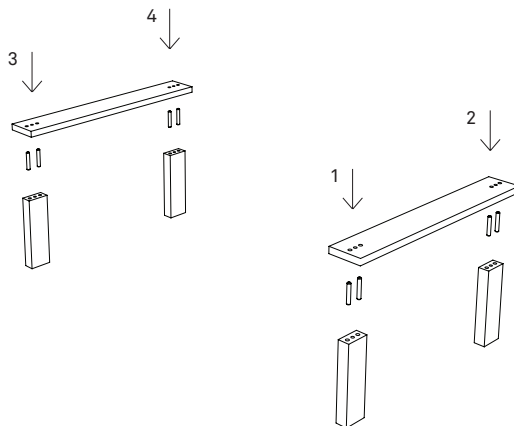


# FRAMA

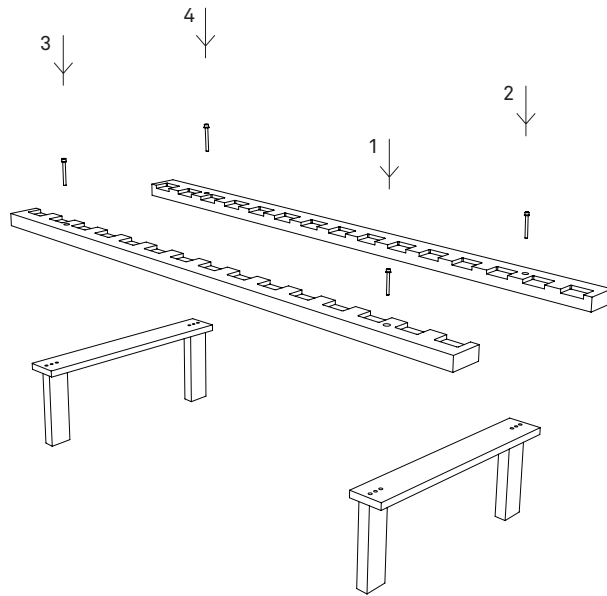
1. Start by unpacking wooden dowels from package 5 and placing the dowels in each of the outer holes located on the top of the leg pieces, located in package 3.



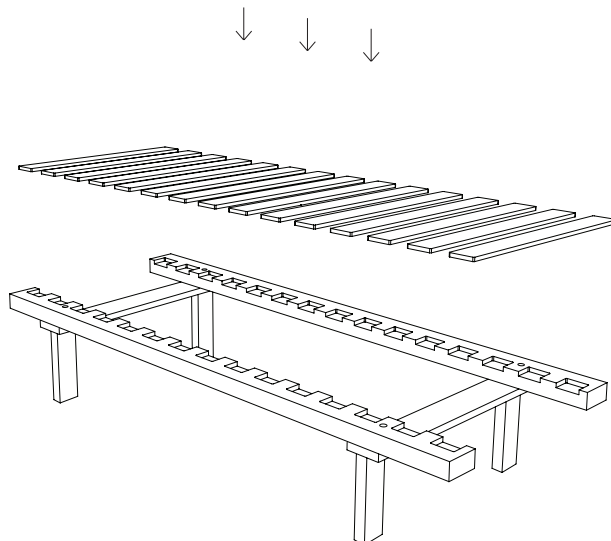
2. Next remove the horizontal cross supports in package 3. Using one horizontal cross support at a time, fasten each leg by fitting the wooden dowels with the two outer holes located on the horizontal cross supports. Repeat on the other side of the horizontal cross support, and then with the second horizontal cross support.



3. Next remove the two bed support frames in package 1. Align each bed support frame with the center hole located in each of the now attached leg and two horizontal cross support frames. Screw the four screws located in package 5 in place using the small umbraco tool also located in package 5.



4. Place all bed supports located in package 4 within their allocated slots atop the bed frame.



5. Place mattress atop frame.

