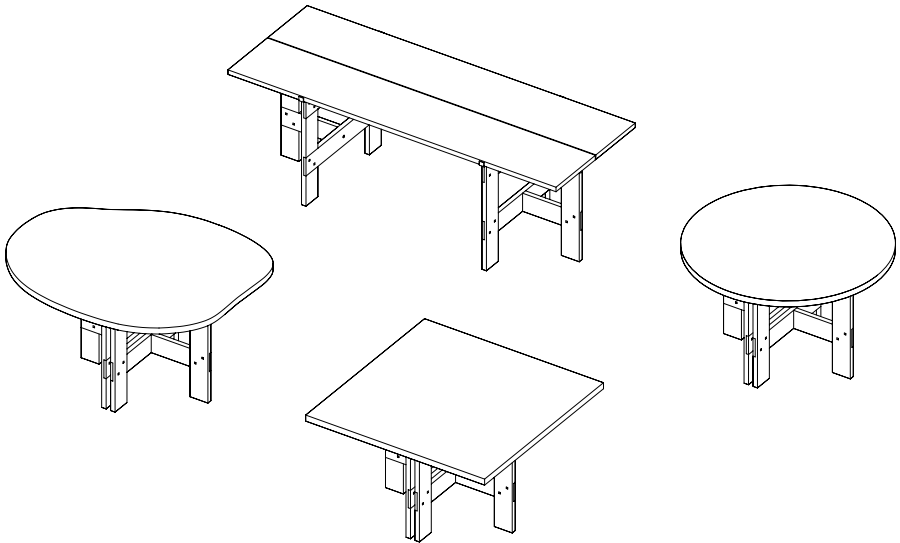


- ASSEMBLY GUIDE -

FARMHOUSE DINING TABLE

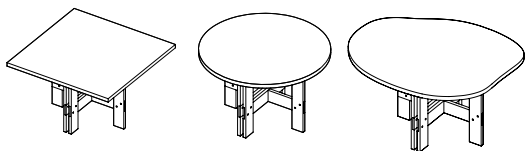
Square | Round | Pond | Plank



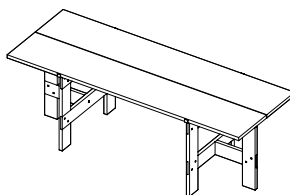
FRAMA

- INDEX -

3 Square | Round | Pond
Dining Tables

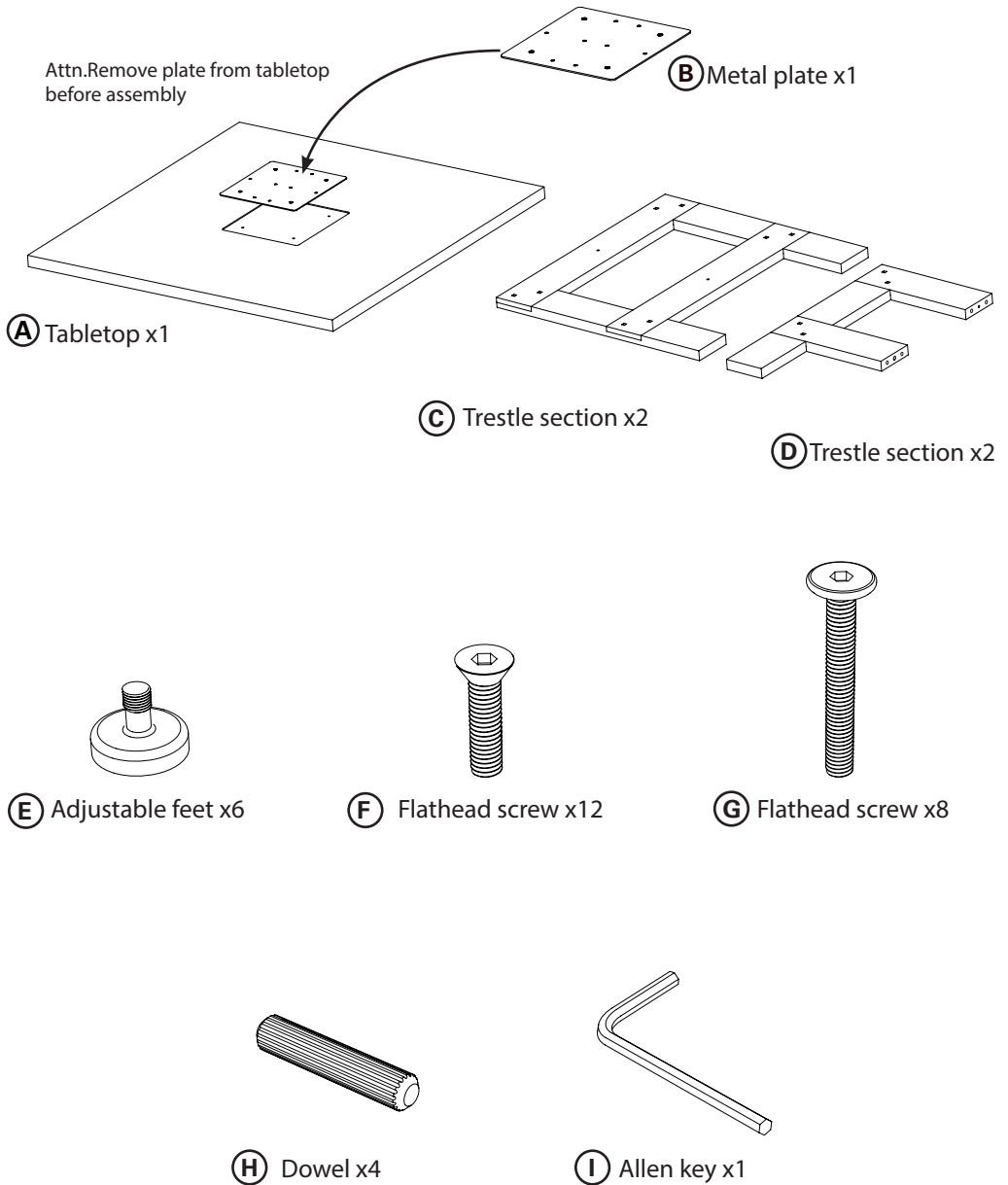


8 Plank
Dining table



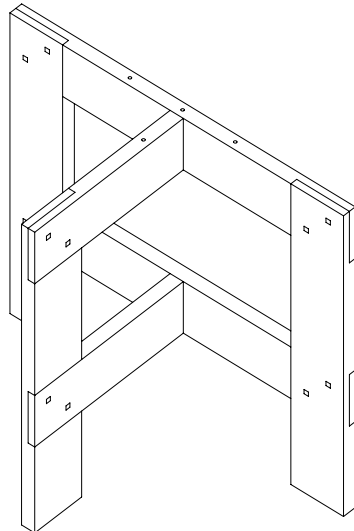
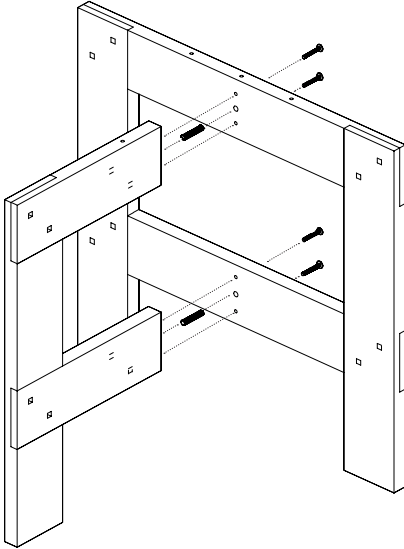
Square | Round | Pond

- PARTS -



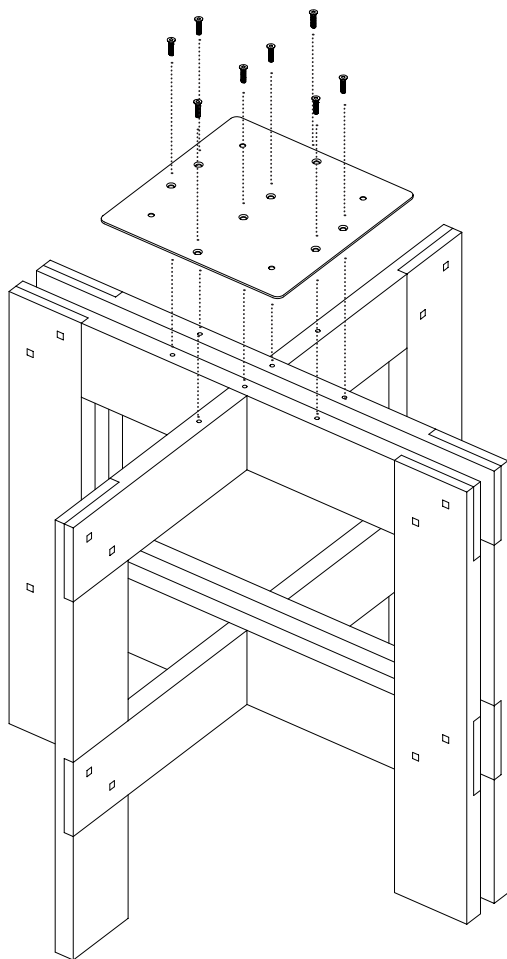
1.

Start by placing the trestle section **(D)** perpendicularly to part **(C)**. Attach the two sections by inserting and securing the dowels **(H)** in the pre-drilled holes. Then fasten with the screws **(G)** using the allen key **(I)**. Use the adjustable feet **(E)**, if needed, by screwing them on the pre-drilled holes underneath the trestles.



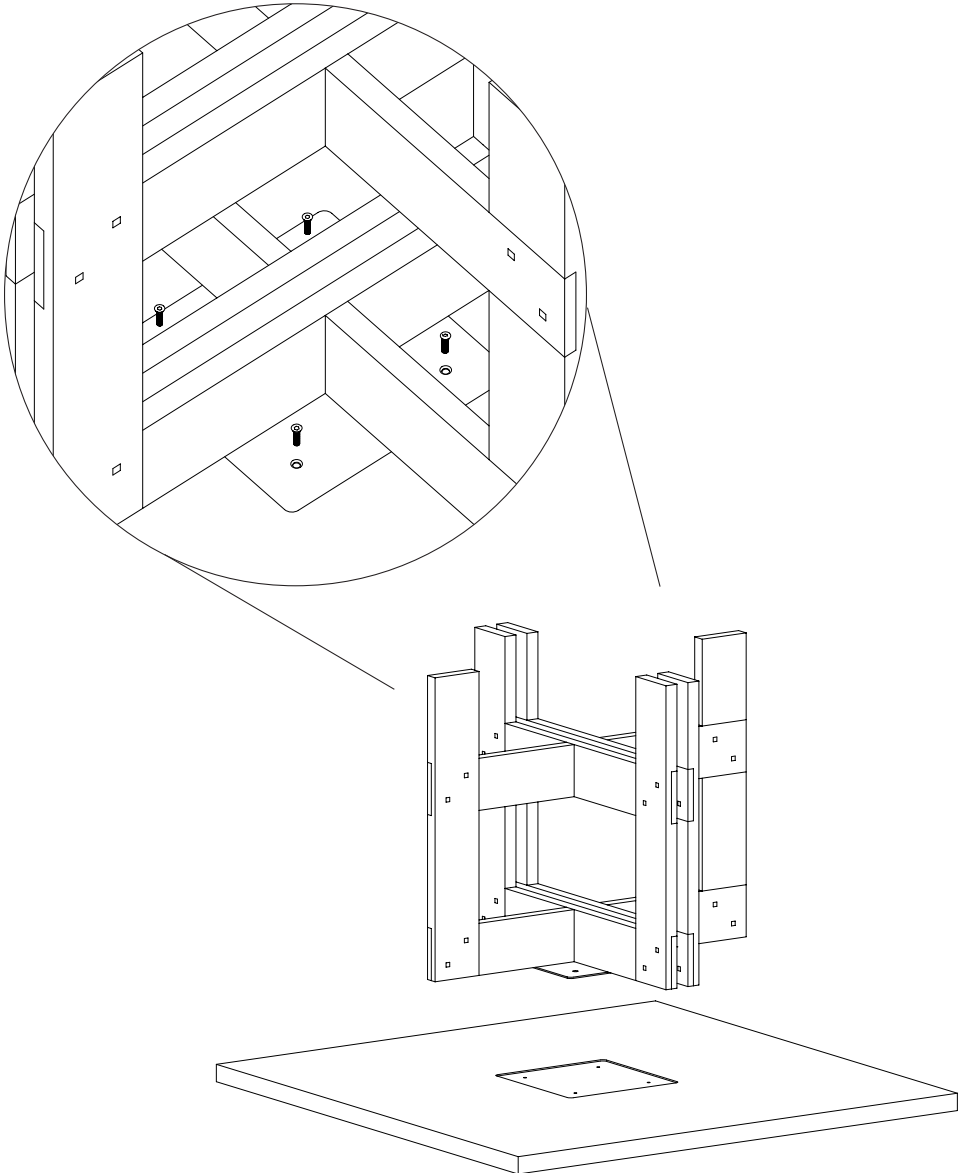
2.

Mount the bracket **(B)** to the trestle.
Fasten it with screws **(F)** using the allen key **(I)**.



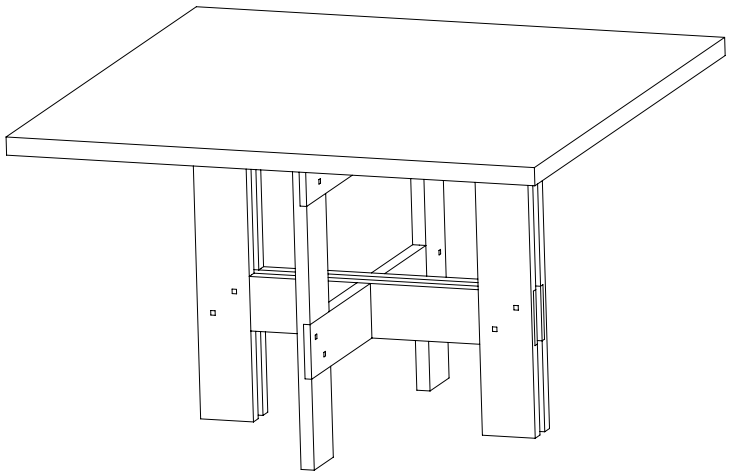
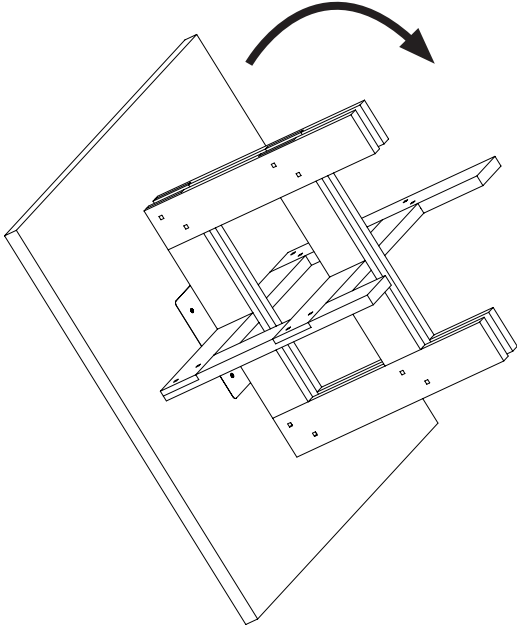
3.

Mount the trestle upside down with attached metal plate **(B)** to the tabletop **(A)**.
Fasten metal plate **(B)** to the tabletop with screws **(F)** using the allen key **(I)**.



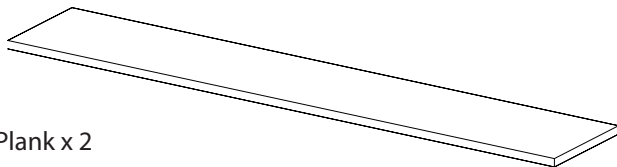
4.

Flip table around.

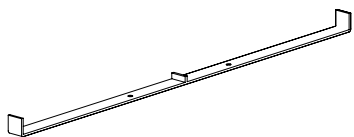


Plank

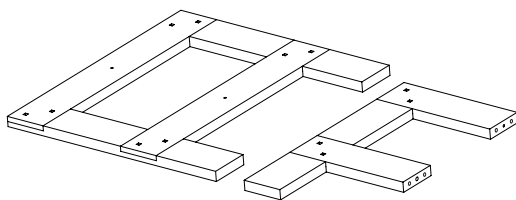
- PARTS -



A Plank x 2

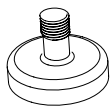


B Bracket x2

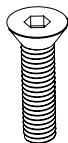


C Trestle section x2

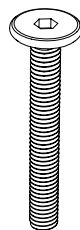
D Trestle section x2



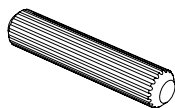
E Adjustable feet x6



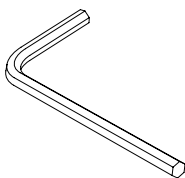
F Flathead screw x4



G Flathead screw x8



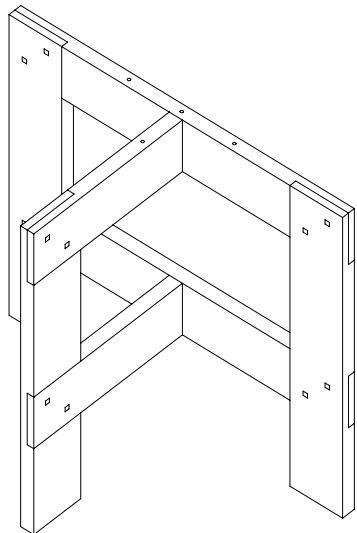
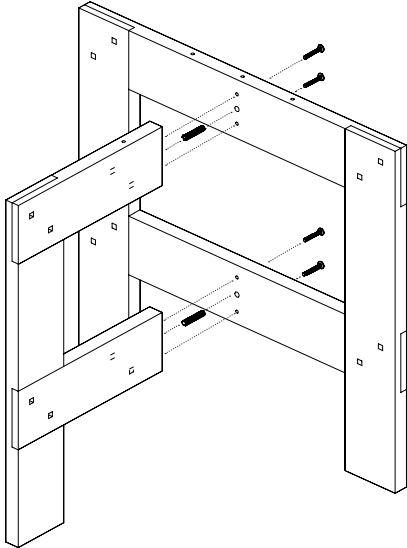
H Dowel x4



I Allen key x1

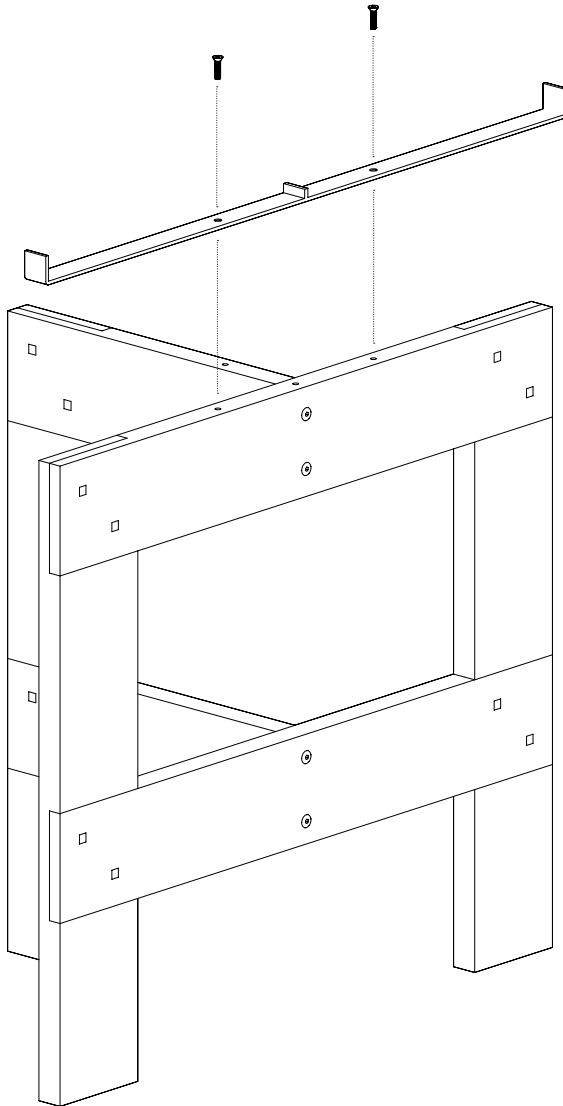
1.

Start by placing the trestle section (D) perpendicularly to part (C). Attach the two sections by inserting and securing the dowels (H) in the pre-drilled holes. Then fasten with the screws (G) using the allen key (I). Use the adjustable feet (E), if needed, by screwing them on the pre-drilled holes underneath the trestles.



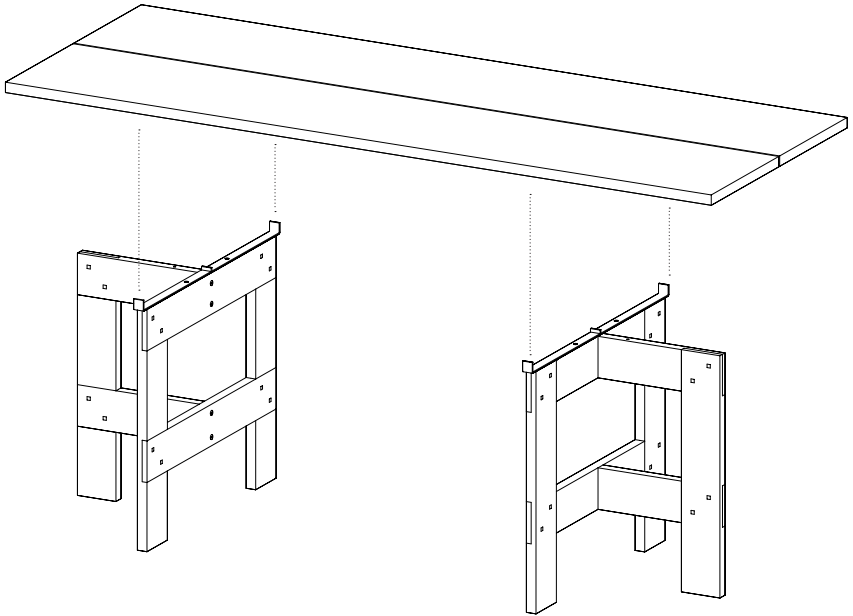
2.

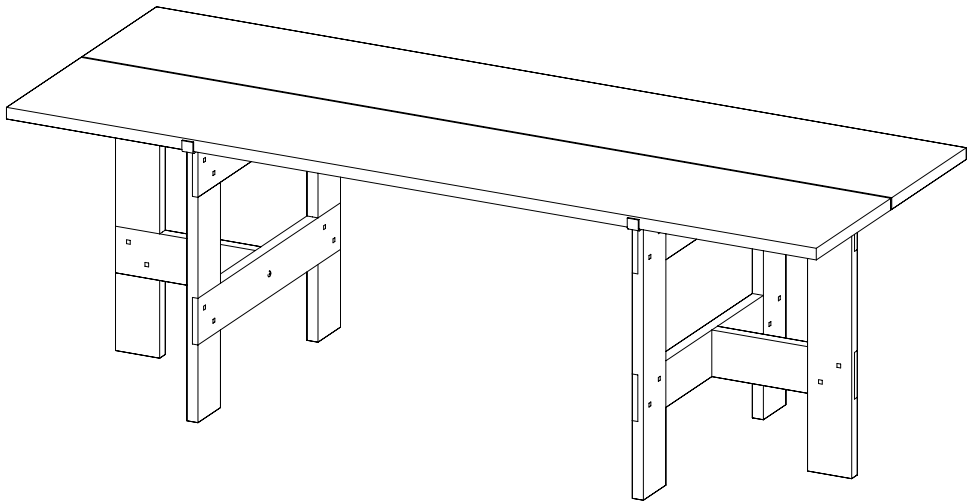
Use the allen key **(I)** to screw the brackets **(B)** to the trestles with flat-head screws **(F)**. Make sure they are placed correctly following the pre-drilled holes.



3.

Place the two planks (A) on top of the trestles.





- MATERIAL & CARE GUIDE -

In order to preserve your new FRAMA pieces for years to come, we've produced a guide on the materials we use and how to best care for them. Following these instructions will help to maintain the appearance and quality of your items after repeated use and cleaning.

For material care and maintenance instructions, scan the QR code using your mobile device.



Access the guide on your desktop at
framacph.com/pages/material-care-guide

FRAMA
Fredericiagade 57, 1310
Copenhagen K
+45 3140 6030 framacph.com

FRAMA