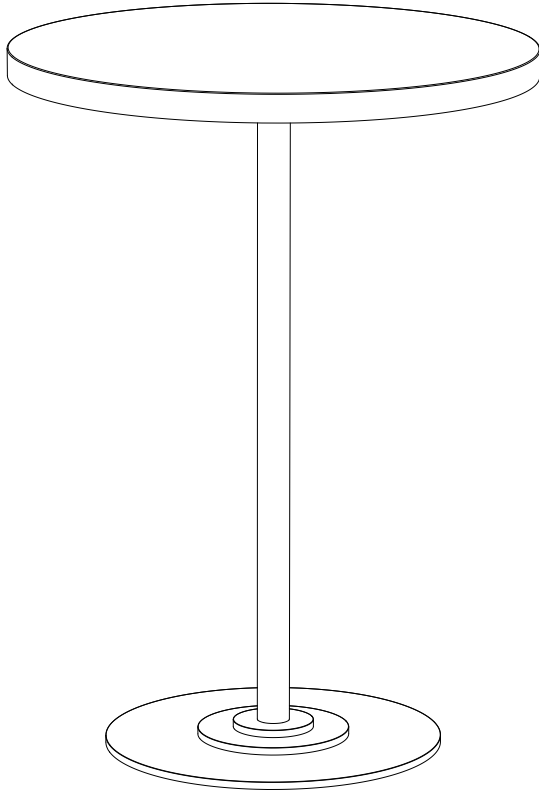


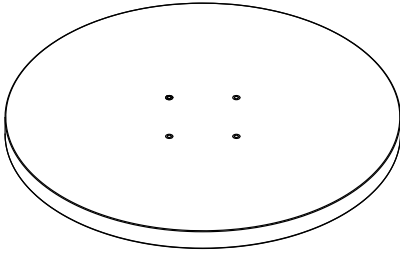
- ASSEMBLY GUIDE -

TABLE 57

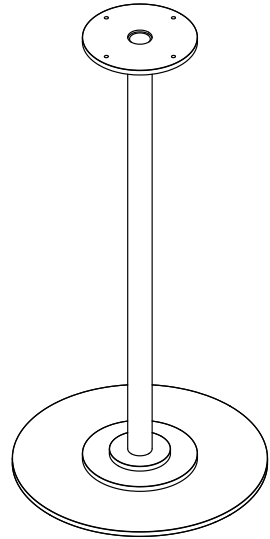


FRAMA

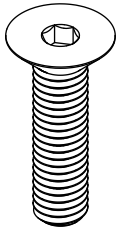
- PARTS -



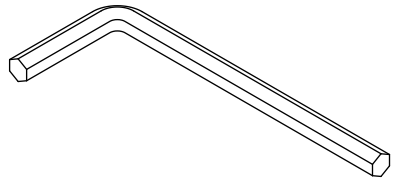
(A) Tabletop (HDPE or stone)
x 1



(B) Stainless steel base x 1



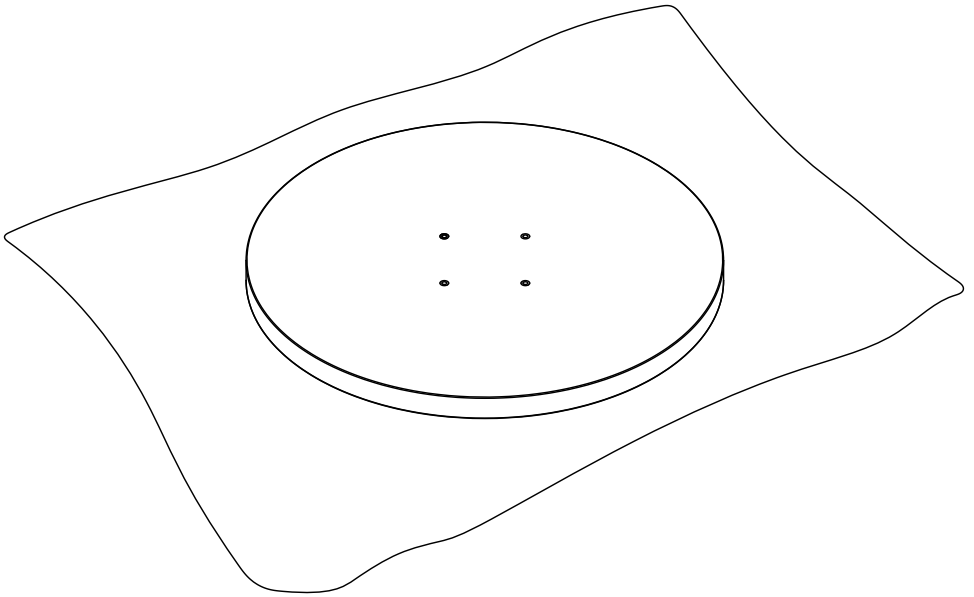
(C) Flathead screws x 4



(D) Hex key x 1

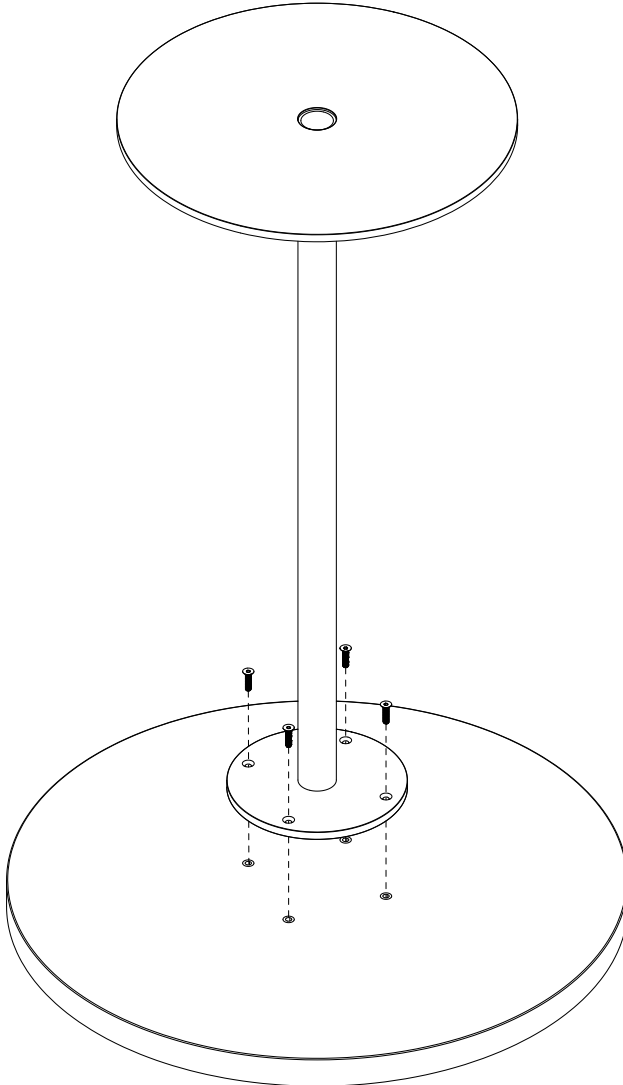
1.

Place the tabletop **(A)** with the threaded inserts pointing upwards on a soft surface (e.g. a blanket or a carpet to prevent scratches).



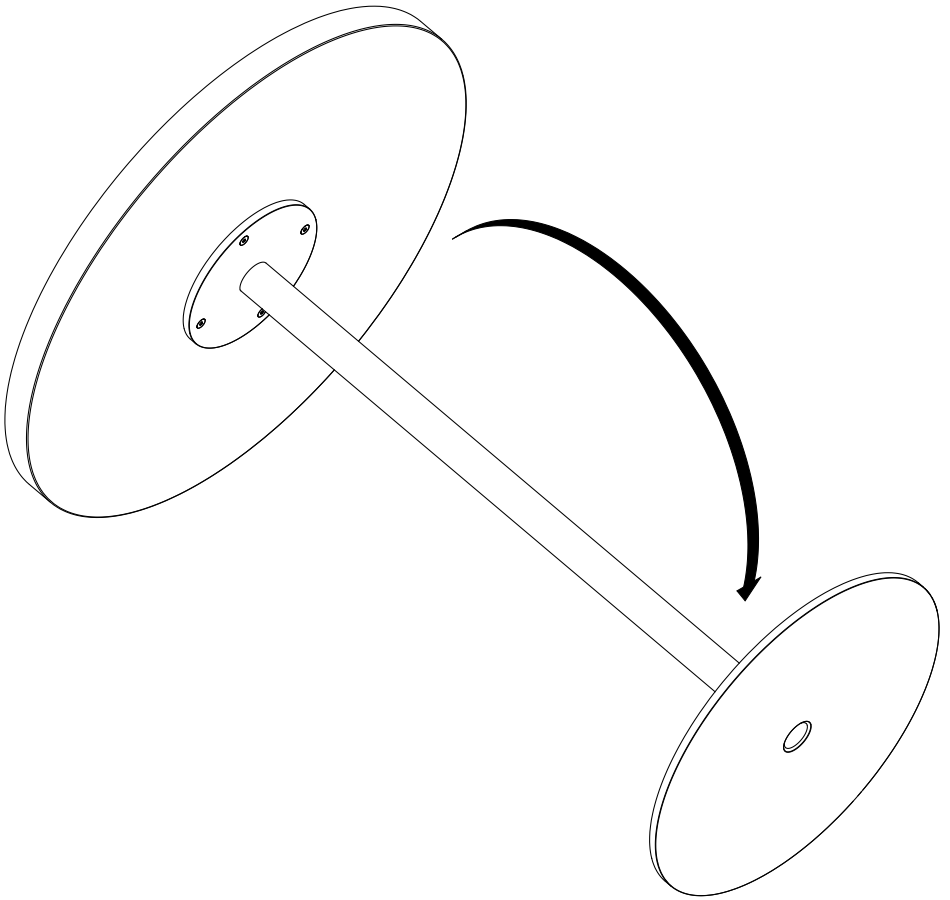
2.

Mount base **(B)** to the tabletop **(A)** using the provided screws **(C)** with the hex key **(D)**.



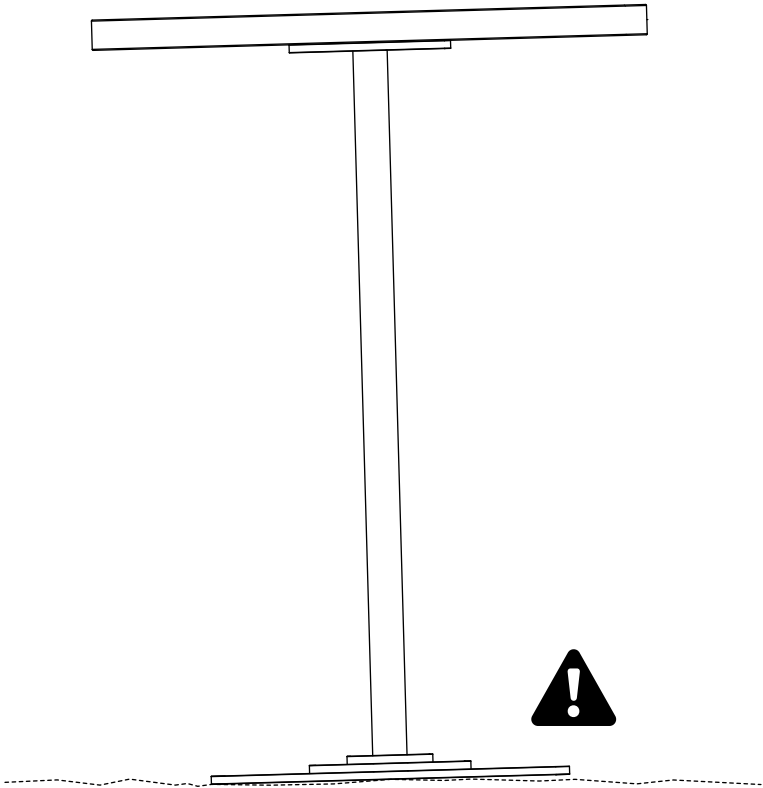
3.

Flip over the assembled table.



4.

Make sure to place the table on an even surface to prevent tipping.



- MATERIAL & CARE GUIDE-

In order to preserve your new FRAMA pieces for years to come, we've produced a guide on the materials we use and how to best care for them. Following these instructions will help to maintain the appearance and quality of your items after repeated use and cleaning.

For material care and maintenance instructions, scan the QR code using your mobile device.



Access the guide on your desktop at
framacph.com/pages/material-care-guide

FRAMA
Fredericiagade 57, 1310
Copenhagen K
+45 3140 6030 framacph.com

FRAMA