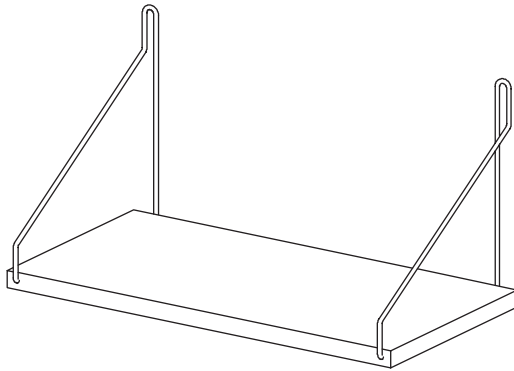


- ASSEMBLY GUIDE -

SINGLE SHELF

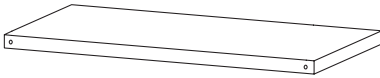
Wood



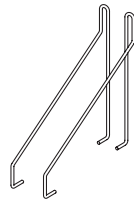
FRAMA

SINGLE SHELF

- PARTS -



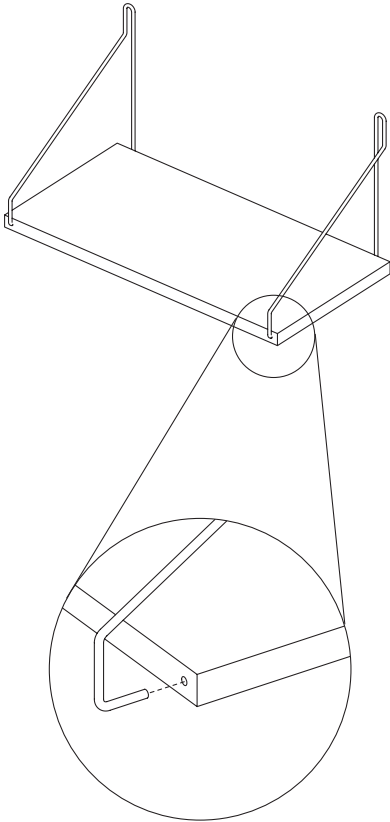
Ⓐ Shelf x1



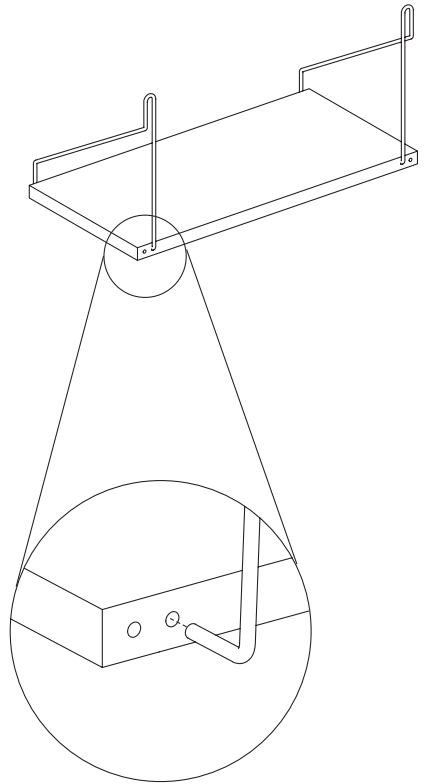
Ⓑ Bracket x2

1.

Start by inserting bracket ends (B) into the pre-drilled holes on the shelf (A).



Front



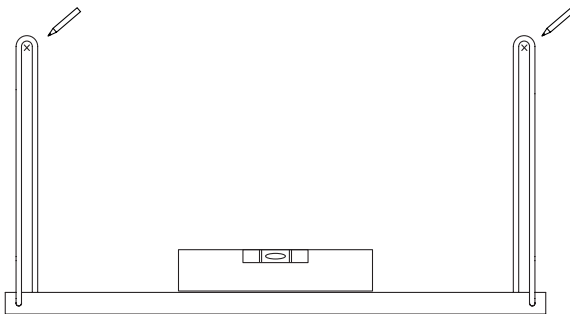
Back

2.

Make sure that the brackets are placed correct side.
Place the complete shelf against the wall, level it straight then mark screw holes
with a pencil or a sharp tool on the wall.

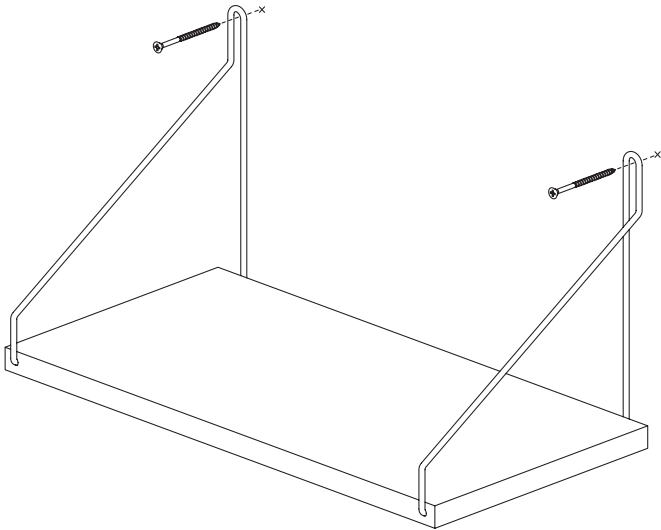


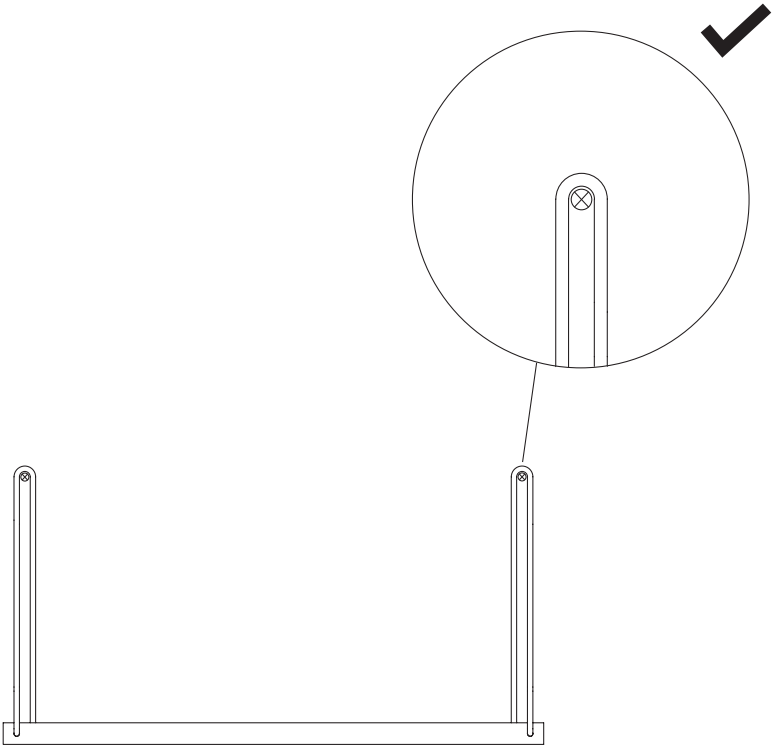
Front



3.

Put screws into the marked position on the wall, then hang the bracket on. Depends on the wall type, pre-drilling and wall plug (not included) maybe required.





- Care & Maintenance Guide -

In order to preserve your new FRAMA pieces for years to come, we've produced a guide on the materials we use and how to best care for them. Following these instructions will help to maintain the appearance and quality of your items after repeated use and cleaning.

For material care and maintenance instructions, scan the QR code using your mobile device.



Access the guide on your desktop at
framacph.com/pages/material-care-guide

FRAMA
Fredericiagade 57, 1310
Copenhagen K
+45 3140 6030 framacph.com

FRAMA